

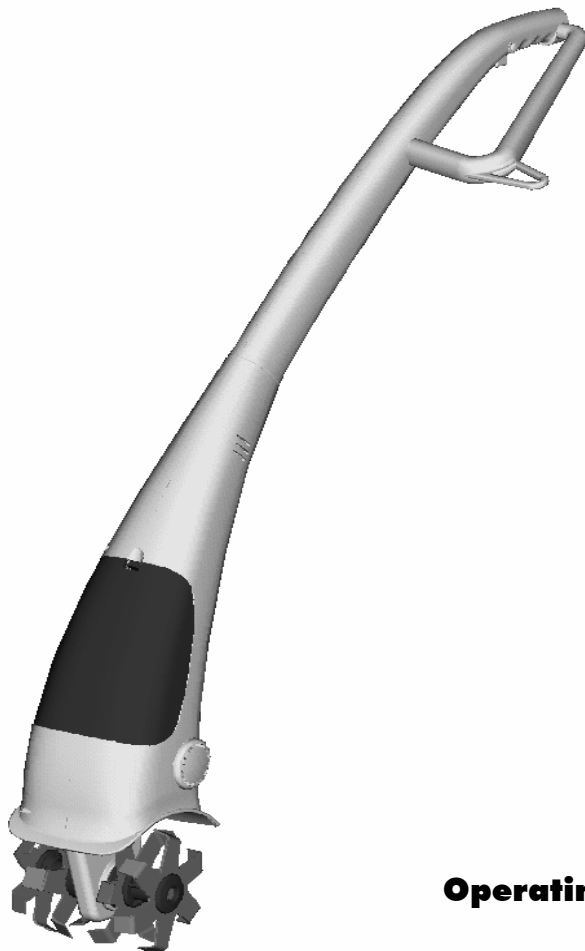


model EH2

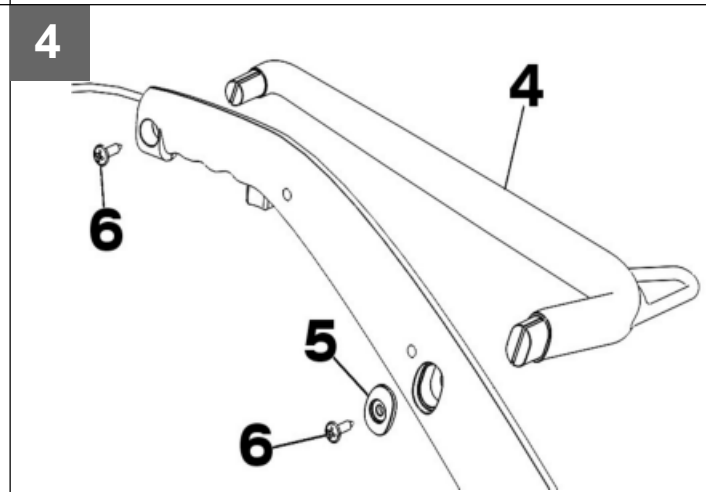
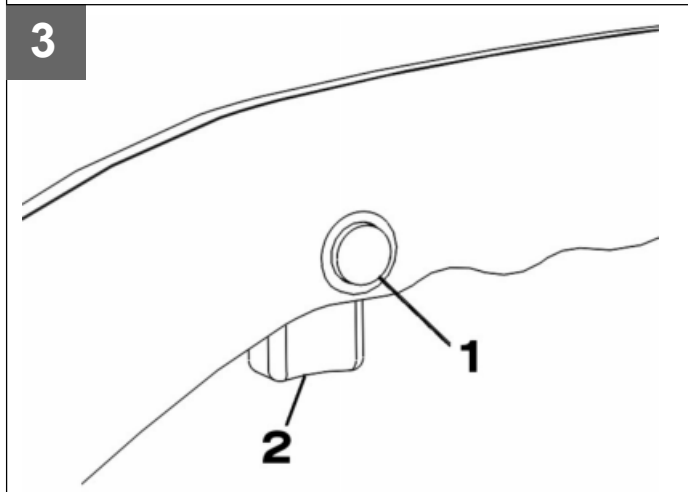
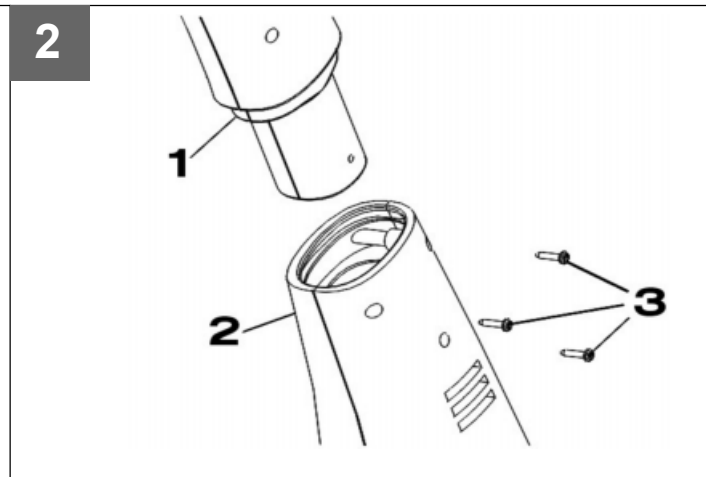
Electric

MINI-

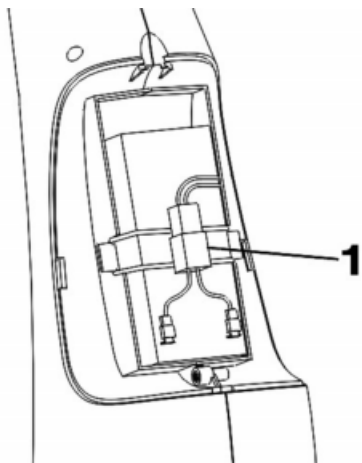
CULTIVATOR



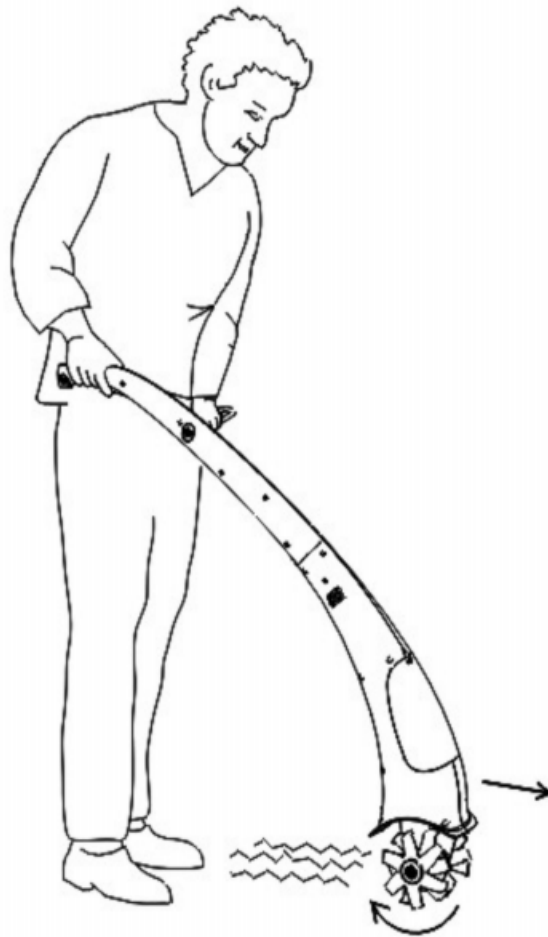
Operating instructions



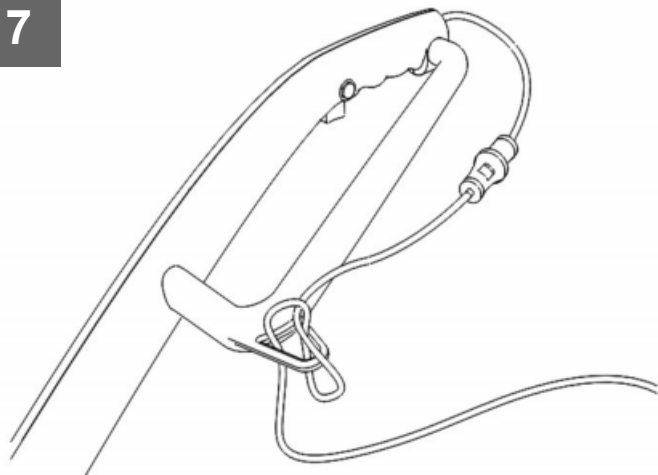
5



6

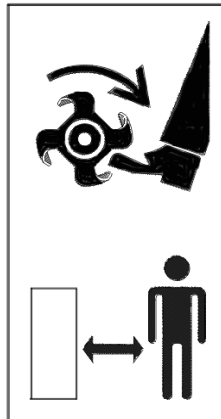


7





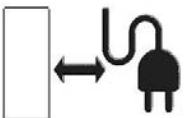
Read the instructions manual before operating on the machine.



Warning: spinning hoe blades. Keep at a safety distance.

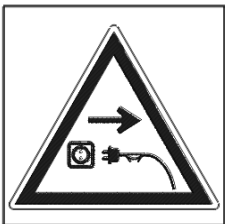


Warning: keep the power cable well away from the machine. It could be cut.



Remove the plug from the power socket before repairing the machine.





Remove the plug from the power socket if the power cable appears to be damaged.



Keep well away from damp places.

List of contents

Introduction

Condition of use

Safety instructions

Electrical safety

Assembling

Starting

Maintenance

Technical specifications

INTRODUCTION

Thank you for purchasing our high quality Mini-Cultivator. We hope that you will spend many enjoyable hours using it. These working instructions are issued to ensure reliable performance right from the start. If you follow these instructions carefully, the Mini-Cultivator will operate with complete satisfaction and have a long service life. The Mini-Cultivator has been tested by independent testing authorities in accordance with strict worknorms and safety standards. In addition, the electric Mini-Cultivator (EH2) has been listed by Underwriters Laboratories, Inc. (UL). When required, only original manufacturer's components should be used to maintain guaranteed function and safety. The operator forfeits any claims, which may arise, if the machine is fitted with components other than original spare parts. This product is subject to changes in design and construction without notice. When ordering replacement parts, please provide serial number and model number.

□ IDENTIFICATION DATA (Fig. 1)

The tag plate with the machine data and serial number is on the right side of the mini-cultivator under the motor.
Note – Always provide your serial number when you need technical service or replacement parts.

□ CONDITIONS OF USE AND LIMITATIONS OF USE

The Mini-Cultivator is designed for homeowner use. It can break up clods and turn the soil in small and medium sized gardens and private areas. It is not intended for commercial use. It not intended to be a ground-breaking tool. Always use genuine replacement parts that meet the performance and safety test standards.

□ SAFETY INSTRUCTIONS

WARNING – READ ALL INSTRUCTIONS

Attention: Before assembly and putting into operation, please read the operating instructions carefully. Persons not familiar with these instructions should not use the machine.

1. Avoid Dangerous Environment – Don't use in damp or wet locations.
2. Don't use in Rain.
3. Keep Children Away at a safe distance.
4. Dress Properly – Do not wear loose clothing or jewelry. They can be caught in moving parts. Use of rubber gloves and substantial footwear is recommended when working outdoors. Wear protective hair covering to contain long hair.
5. Use Safety Glasses – Always use face or dust mask if operation is dusty.
6. Ground Fault Circuit Interrupter (GFCI) protection should be provided on the outlet to be used for this electric appliance. Receptacles are available having built-in GFCI protection and may be used for this measure of safety.

7. Before starting the Mini-Cultivator, check the soil and remove any stones, twigs and so forth. Keep checking to make sure the area is clear of these as you work.
8. If you encounter an obstruction during work despite all of these precautions, turn off the Mini-Cultivator. Pull the unit toward you so that the blades turn in reverse, freeing the obstruction. Disconnect the Mini-Cultivator from the power source if you need to remove the obstruction by hand.
9. Make sure the Mini-Cultivator has not been damaged and have it repaired if necessary.
10. The Mini-Cultivator must be unplugged from the power source when installing, removing, cleaning and servicing the blades.
11. Keep hands and feet away from moving blades.
12. Do not spray water on the Mini-Cultivator and keep it sheltered from damp conditions.
13. Don't force the Mini-Cultivator. It will do the job better and with less likelihood of a risk of injury at the rate for which it was designed.
14. Don't Overreach – Keep proper footing and balance at all times.
15. Stay Alert – Watch what you are doing. Use common sense. Do not operate the Mini-Cultivator when you are tired.
16. Avoid Unintentional Starting – Don't carry the plugged-in Mini-Cultivator with your finger on the switch.
17. Always use authorized service centers and genuine replacement parts when repair is needed.
18. Check Damaged Parts – Before further use of the appliance, a guard or other part that is damaged should be carefully checked to determine that it will operate properly and perform its intended function. Check for alignment of moving parts, binding of moving parts, breakage of parts, mounting, and any other condition that may affect its operation. A guard or other part that is damaged should be properly repaired or replaced by an authorized service center unless indicated elsewhere in this manual.

ELECTRICAL SAFETY

WARNING – To reduce the risk of electrical shock, use only with an extension cord intended for outdoor use, such as an extension cord of cord type: SW-A, SOW-A, STW-A, STOW-A, SJW-A, SJOW-A, SJTW-A, and SJTOW-A. Alternative designations include SW, SOW, STW, STOW, SJW, SJOW, SJTW, AND SJOTW.

1. Polarized Appliance Connections – To reduce the risk of electric shock, this appliance has a polarized plug (one blade is wider than the other) and will require the use of a polarized extension cord. The appliance plug will fit into a polarized extension cord only one way. If the plug does not fit fully into the extension cord, reverse the plug. This plug will fit into the polarized wall outlet. This plug will fit into the polarized wall outlet only one way. If the plug does not fit fully into the wall outlet, reverse the plug. Do not change the equipment plug, extension cord receptacle, or extension cord plug in any way.
2. Extension Cord – Make sure your extension cord is in good shape. The size should be 16 AWG or heavier.
3. Don't Abuse Cord – Never carry the Mini-Cultivator by the cord or yank it to disconnect from the receptacle. Keep cord from heat, oil, and sharp edges. Immediately remove the plug from the power source if it becomes damaged or cut during work.
4. The plug on the power cable must be watertight.
5. Always keep the power cord well away from the blades.
6. Disconnect Power Cord – Disconnect the Mini-Cultivator from the power source when not in use, before servicing, when changing blades and when stored.
7. Store Mini-Cultivator Indoors – When not in use, the Mini-Cultivator should be stored indoors in a dry, secure place out of reach of children.
8. Maintain Mini-Cultivator With Care – Inspect power cord periodically, and if damaged, have it repaired by an authorized service center. Inspect extension cords periodically and replace if damaged. Keep handles dry, clean, and free from oil and grease.

□ **SAVE THESE INSTRUCTIONS**

□ **ASSEMBLING THE MINI-CULTIVATOR (FIG. 2-4)**

To assemble the Mini-Cultivator, fit the handle (1) into the body (2) and fasten with the enclosed screws (3). Now add the side handle (4), setting it to the right or left in the most convenient place, and fixing it to the central handle with the plug (5) and screws (6).

□ **STARTING THE MINI-CULTIVATOR (FIG. 3-7)**

Fit the polarized plug into the extension cord socket, wrapping the cord around the handle as indicated (fig. 7). Now fit the other end of the extension cord into the power outlet. Release the safety lock by pressing the side button (1) while pressing the start button (2) at the same time. Release the start button to turn off the machine and disengage the blades.

The correct position in which to use the Mini-Cultivator is illustrated in figure 6. A moderate ground speed will allow you to work the soil more deeply. Adjust your ground speed by handling the machine as required. There is no need to push the handgrip downwards.

If the blades become blocked by an obstruction when the Mini-Cultivator is being used, a clutch will automatically operate to protect the machine against possible breakage. Turn off the Mini-Cultivator immediately and then pull the machine towards you so that the blades turn in reverse, thus freeing them from the obstruction. Remember to disconnect the machine from the power source if you need to free the blades by hand.

□ **MAINTENANCE**

The Mini-Cultivator needs no maintenance. Make sure that the cooling air grills are always clear. Clean off any soil and mud with a dry cloth or brush. The transmission needs no maintenance and must not be opened.

□ TECHNICAL SPECIFICATIONS

MINI-CULTIVATOR	Model EH2
Voltage	110v
Power	250w
Blade width	160 mm
Blade diameter	160 mm
RPM rate	230
Transmission	Gear
Weight	10.6 lb.
Noise level	80 dba
Vibrations	0.84m/s ²

Distributed in North America by:

BCS America LLC
PO Box 18000
Portland, OR 97218

For the service center closest to you, please call 800.543.1040.

Manufactured by:

EUROSYSTEMS
Luzzara, (RE) Italy

LIMITED WARRANTY INFORMATION FOR BCS ELECTRIC MINI-CULTIVATOR

“BCS America, LLC warrants this product for one year against any defects in material or workmanship. The defective product will be replaced or repaired at no charge in either of two ways:

The first, which will result in exchanges only, is to return the product to the retailer from whom it was purchased (provided that the store is a participating retailer). Returns should be made within the time period of the retailer’s policy for exchanges (usually 30 to 90 days after the sale). Proof of purchase may be required. Please check with the retailer for their specific return policy regarding returns that are beyond the time set for exchanges.

The second option is to send the product (prepaid) to BCS America’s national service center for repair or replacement at our option. Proof of purchase may be required. Call Customer Service for a return authorization number, and then prepaid ship to:

BCS America, LLC
8111 N.E. Columbia Blvd.
Portland, OR 97218

This warranty gives you specific legal rights, and you may have other rights that vary from state to state. Should you have any questions, contact customer service at BCS America by calling 1-800-543-1040, or by writing:

BCS America, LLC
Customer Service
PO Box 18000
Portland, OR 97218

This product is not intended for commercial use.”



