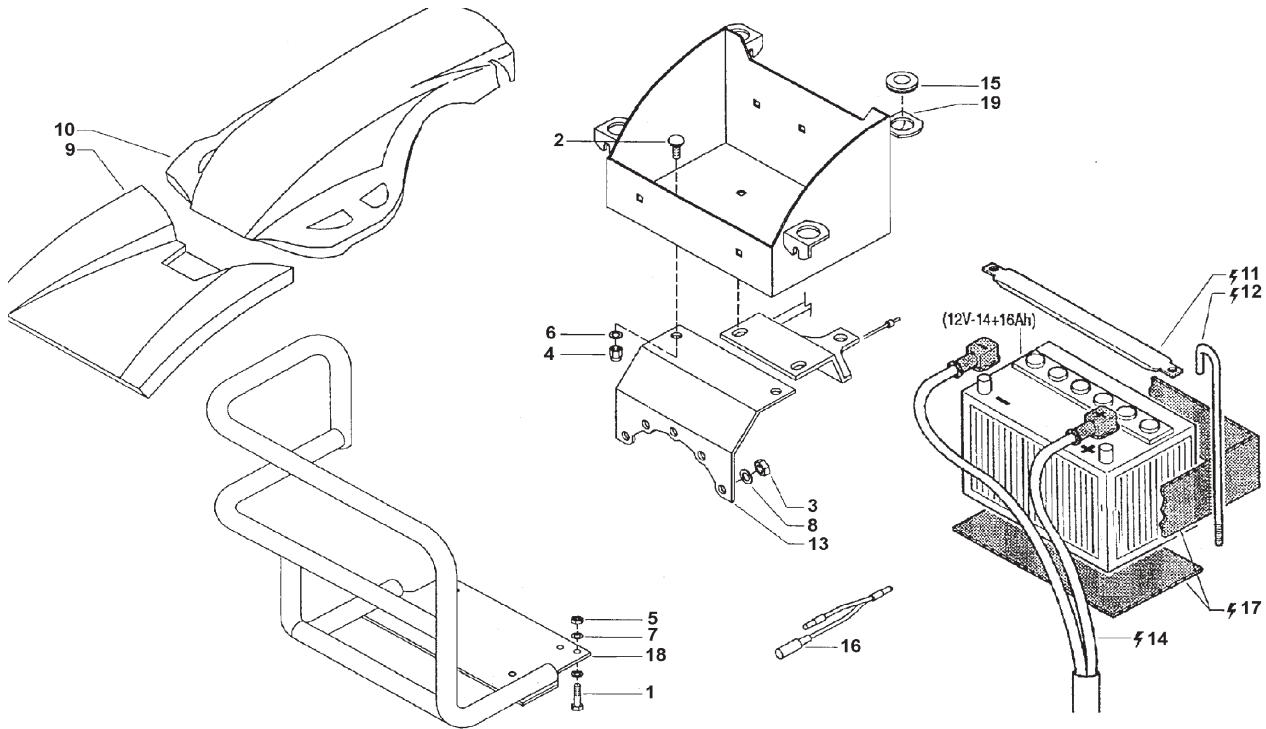
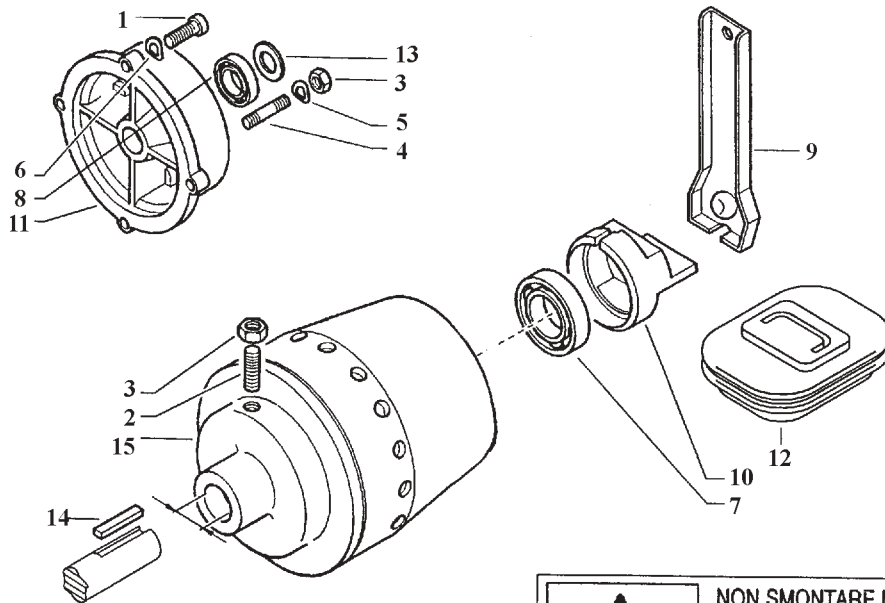




A M E R I C A

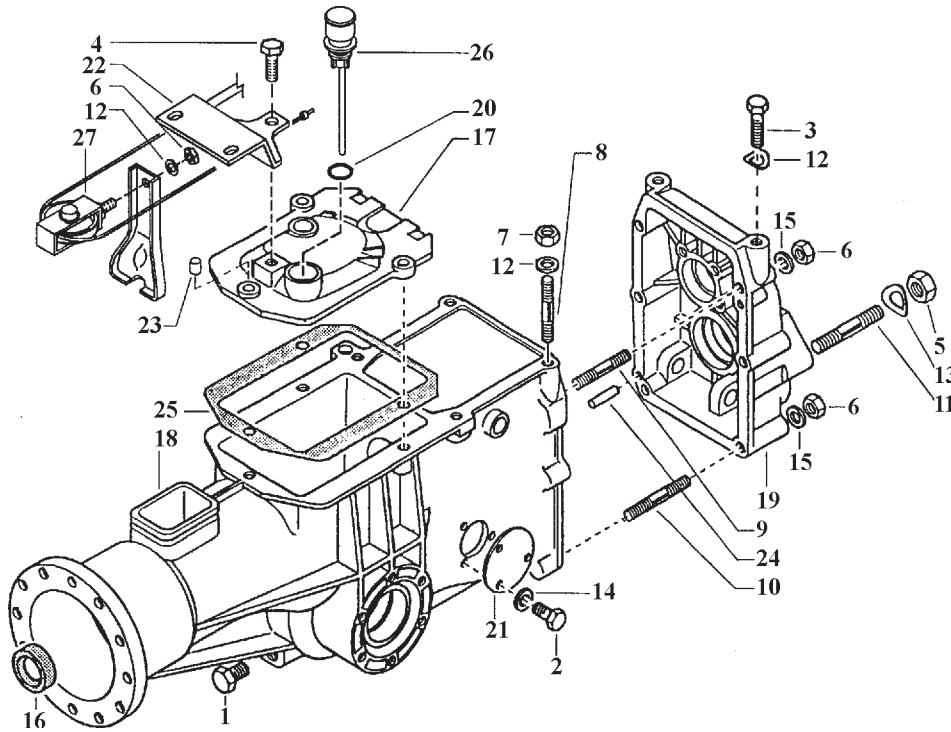


ID	PART NO	QTY	DESCRIPTION	ID	PART NO	QTY	DESCRIPTION
1	311.12154		CAPSCREW M8X40	11	561.19937		BATTERY BRACKET
2	311.21558		BOLT M6 X 16	12	561.57387		ROD
3	312.11080		NUT M8	13	561.57603		SUPPORT, BATTERY/TOOLBOX
4	312.41060		NUT, LOCK M6	14	580.47460		CABLE, ELECTRIC STARTER
5	312.41080		NUT, LOCK M8	15	580.56991		SUPPORT, BODY GUARD
6	314.11064		WASHER, FLAT M6	16	580.57385		WIRE HARNESS
7	314.11084		WASHER, FLAT M8	17	580.57397		PAD SET, ANTI SHOCK
8	314.23084		WASHER, LOCK M8.4	18	590.56113		BUMPER, GX390
9	552.57621		GUARD, LOWER	19	590.57390		TOOLBOX/BATTERYBOX
10	552.57623		GUARD, STEERING COLUMN				

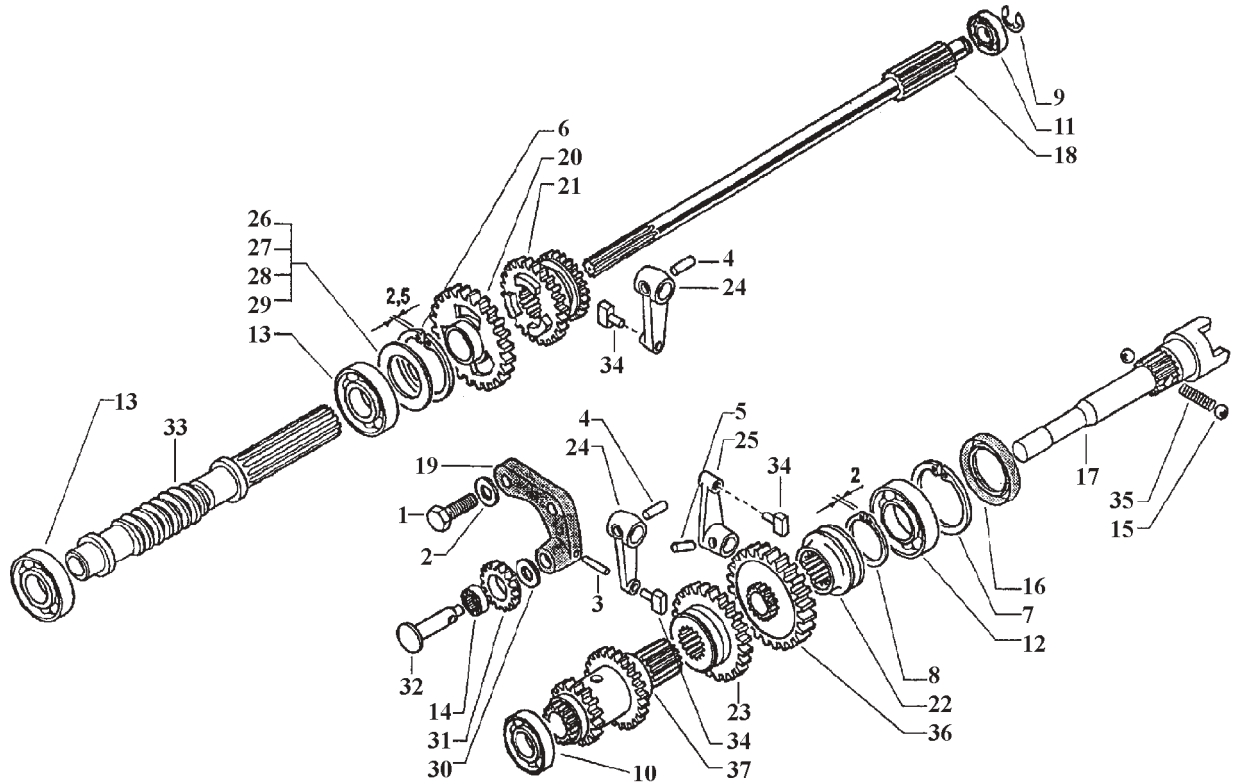


NON SMONTARE MAI LA FRIZIONE
NEVER DISASSEMBLE THE CLUTCH
NE DEMONTER JAMAIS L'EMBAYAGE
NIEMALS DIE KUPPLUNG AUSBAUEN
NO DESMONTAR JAMAS EL EMBRAGUE

ID	PART NO	QTY	DESCRIPTION	ID	PART NO	QTY	DESCRIPTION
1	311.00015		CAP SCREW 3/8"X 1	11	531.56150		FLANGE, ENGINE
2	311.00786		CAP SCREW M8X30	12	551.57609		BOOT
3	312.11080		NUT, M8	13	563.47484		WASHER
4	313.12088		STUDM8X40X14X14	14	563.49782		WOODRUFF KEY
5	314.23084		WASHER, LOCK M8.4	15	592.56257		CONE CLUTCH
6	314.23105		WASHER, WAVEY M10.4				
7	371.12173		BEARING 6203 2RS 17X40X12				
8	371.12233		BEARING 6006 2RS 30X55X13				
9	509.56262		LEVER, CLUTCH				
10	524.47896		CONE PUSHER				



ID	PART NO	QTY	DESCRIPTION	ID	PART NO	QTY	DESCRIPTION
1	300.40001		PLUG 1/4	16	382.11500		OIL SEAL 15X28X6
2	311.11090		CAP SCREW M6X10	17	531.43875		COVER, GEARBOX
3	311.12150		CAP SCREW M8X20	18	531.56326		GEARBOX
4	311.12219		CAP SCREW M10X25	19	531.56332		REAR COVER
5	312.21121		NUT M12	20	551.02678		O-RING
6	312.41080		NUT, LOCK M8	21	561.47520		COVER, SIDE
7	312.41085		NUT, DEFORMED LOCK M8	22	561.57606		PLATE
8	313.12082		STUD M8X38X14X20	23	561.57607		SPACER, CLUTCH STOP
9	313.12084		STUD M8X58X16X16	24	580.43053		PIN
10	313.12094		STUD M8X68X14X36	25	580.43117		GASKET
11	313.12125		STUD M64X12X125X26X12	26	590.15425		CAP W/ MEASURING ROD
12	314.21083		WASHER, SUPER M8	27	590.56258		PULLEY ASSEMBLY
13	314.21132		WASHER, TAPERED M13X24X3				
14	314.22064		WASHER, LOCK M6.4				
15	314.23084		WASHER, LOCK M8.4				

852**Transmission****Serial Number Range
ALL****04.00**

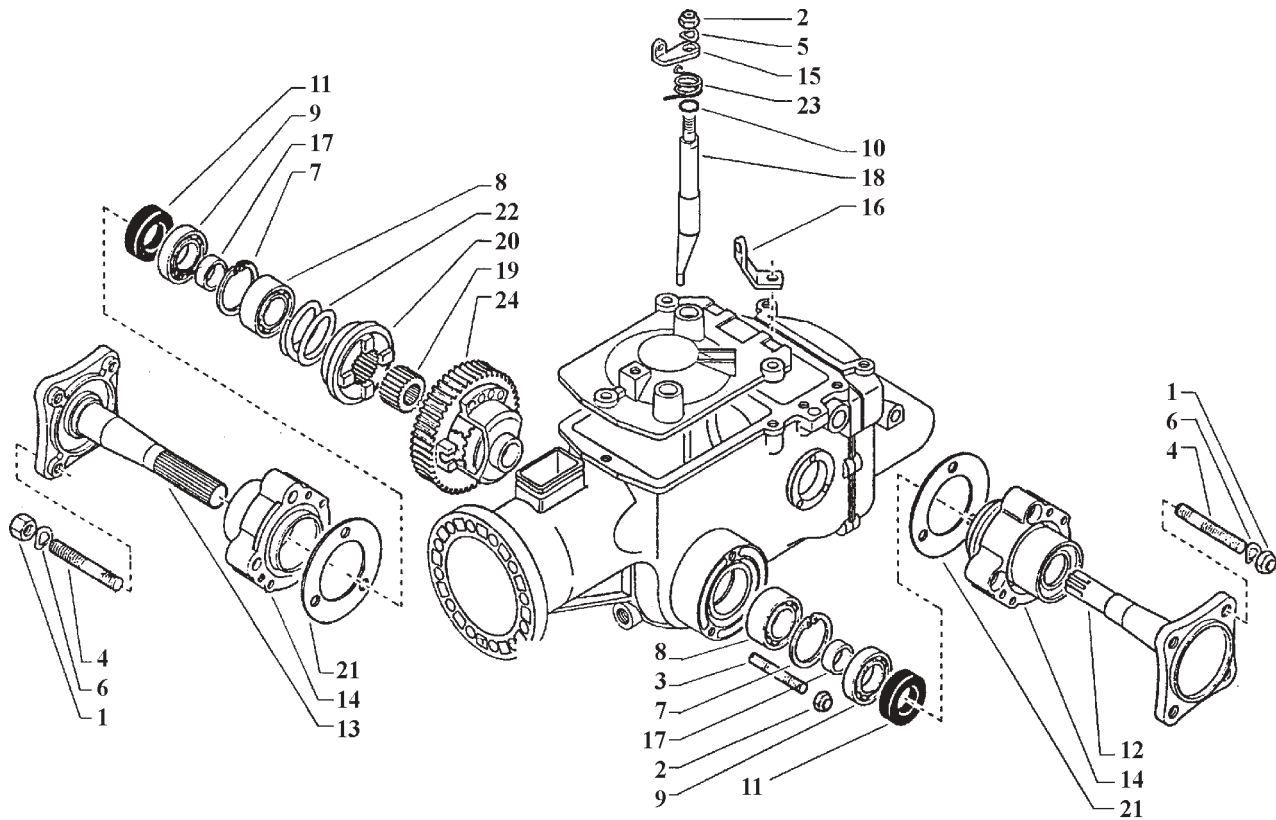
ID	PART NO	QTY	DESCRIPTION	ID	PART NO	QTY	DESCRIPTION
1	311.12211		CAP SCREWM10X30	21	524.56360		GEAR, SLIDER 4+3
2	314.21101		WASHER, SUPER M10	22	524.56362		PTO SLIDER
3	342.11042		PIN, SPLIT	23	524.56370		SLIDER, REVERSER
4	342.13060		PIN, SPIROL SPLIT	24	524.56389		LEVER, REVERSER
5	342.13061		PIN, SPIROL SPLIT	25	524.56390		LEVER, PTO ENGAGEMENT
6	351.11053		SNAP RING D52	26	563.56328		SHIM 1.5MM
7	351.11055		SNAP RING D55	27	563.56329		SHIM 1.6MM
8	351.21031		SNAP RING D31	28	563.56330		SHIM 1.7MM
9	352.11120		RING, SPLIT RS12 DIN 679	29	563.56331		SHIM 1.8MM
10	371.11150		BEARING 6202 15X35X11	30	563.56348		WASHER
11	371.11152		BEARING 6302 15X42X13	31	564.56347		GEAR, REVERSE
12	371.12229		BEARING 6006 30X55X13	32	564.56351		PIN, REVERSE GEAR
13	371.41250		BEARING 7205B 25X52X15	33	564.56478		WORM GEAR
14	373.20120		BEARING 12X15X10	34	580.43086		SHOE
15	379.10832		BALL 1/4	35	580.56391		SPRING, PTO BALLS
16	382.13800		OIL SEAL 38X55X7	36	590.56365		GEAR, PTO
17	524.56336		SHAFT, PTO	37	590.56383		GEAR, CLUSTER
18	524.56340		SHAFT, MAIN DRIVE				
19	524.56349		SUPPORT, REVERSE GEAR				
20	524.56354		GEAR, FIRST				

852

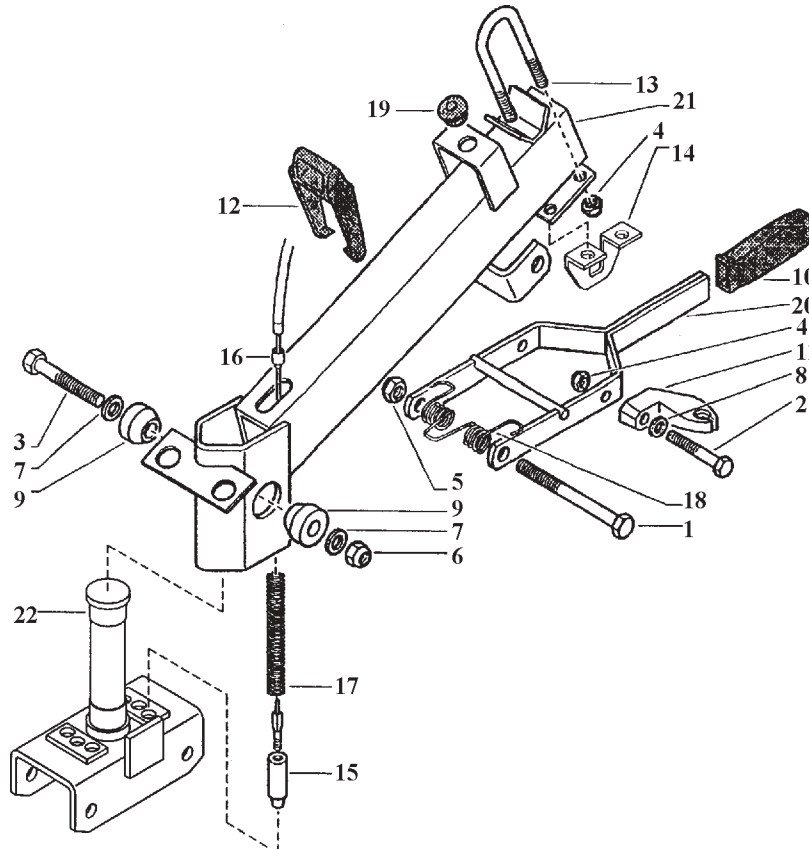
Differential

Serial Number Range ALL

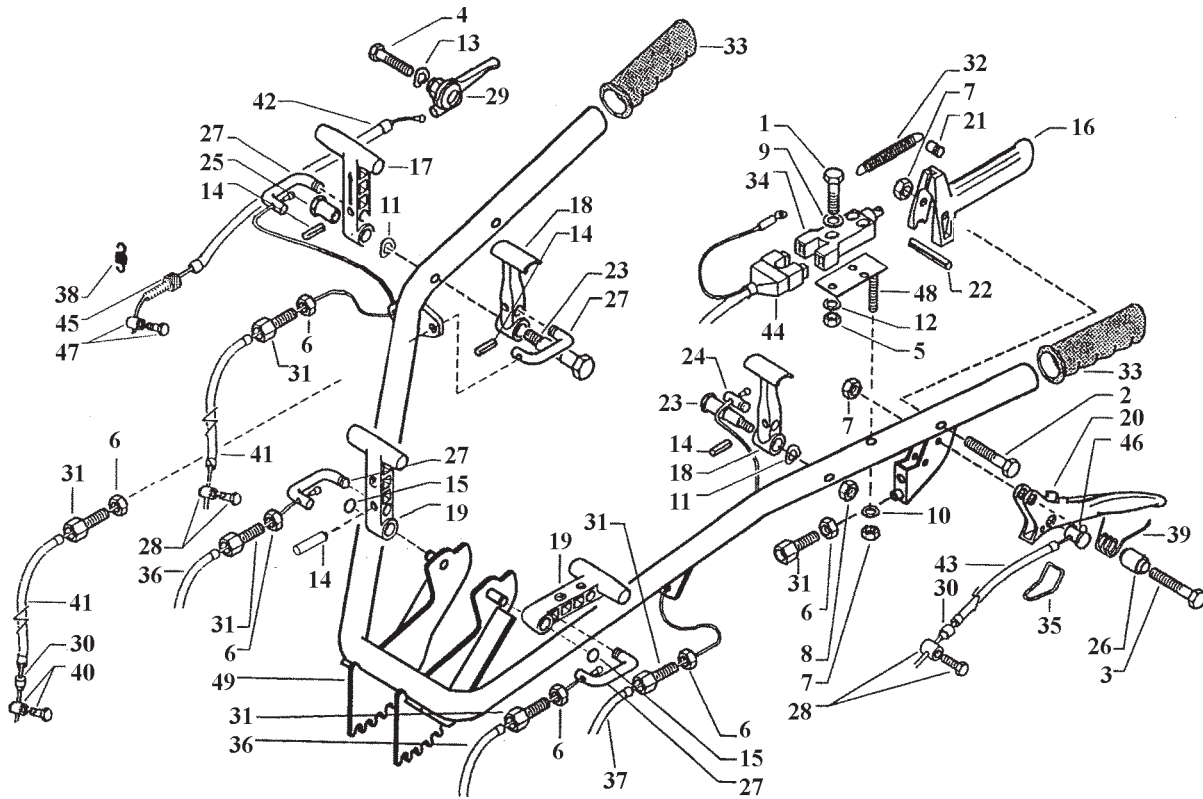
05.00



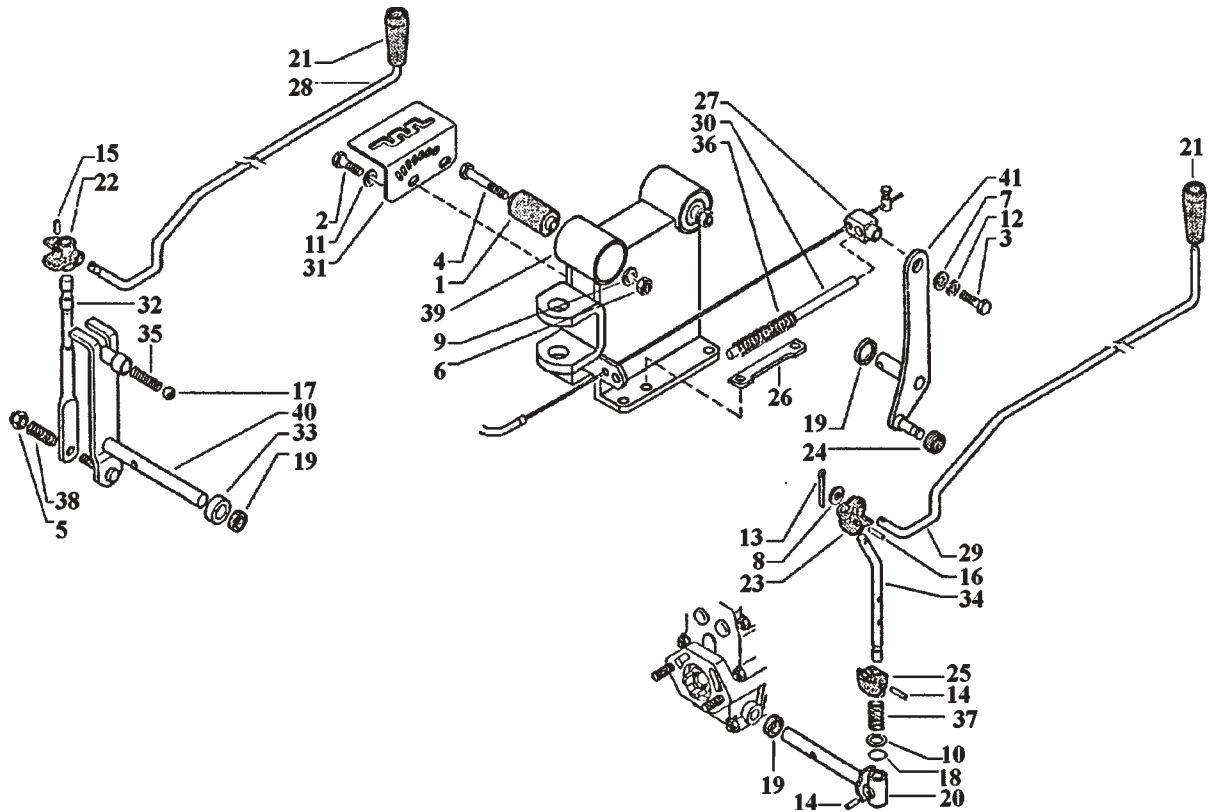
ID	PART NO	QTY	DESCRIPTION	ID	PART NO	QTY	DESCRIPTION
1	312.11100		NUT, M10	16	561.43883		DIFFERENTIAL SHEATH STOP
2	312.41080		NUT, SELF LOCKING M8	17	561.48184		RING, HALF AXLE
3	313.12080		STUD M8X46X20X12 GRADE 8	18	564.43871		ROD
4	313.12102		STUD M10X40X24X12 GRADE 8	19	564.48183		SPACER GEAR
5	314.11084		WASHER, FLAT M8.4X17	20	564.48196		COUPLING, FRONT
6	314.23105		WASHER, WAVEY M10.5	21	580.43855		GASKET
7	351.11047		SNAP RING M47	22	580.43874		SPRING
8	371.11250		BEARING 6205 25X15X15	23	580.43881		SPRING
9	371.11253		BEARING 6005 25X47X12	24	590.48181		DIFFERENTIAL
10	381.11400		O-RING				
11	382.13002		OIL SEAL 30X40X7				
12	524.48187		AXLE, SHORT HALF				
13	524.48188		AXLE, LONG HALF				
14	532.43851		HUB FOR AXLE				
15	561.43880		LEVER, RELEASE				



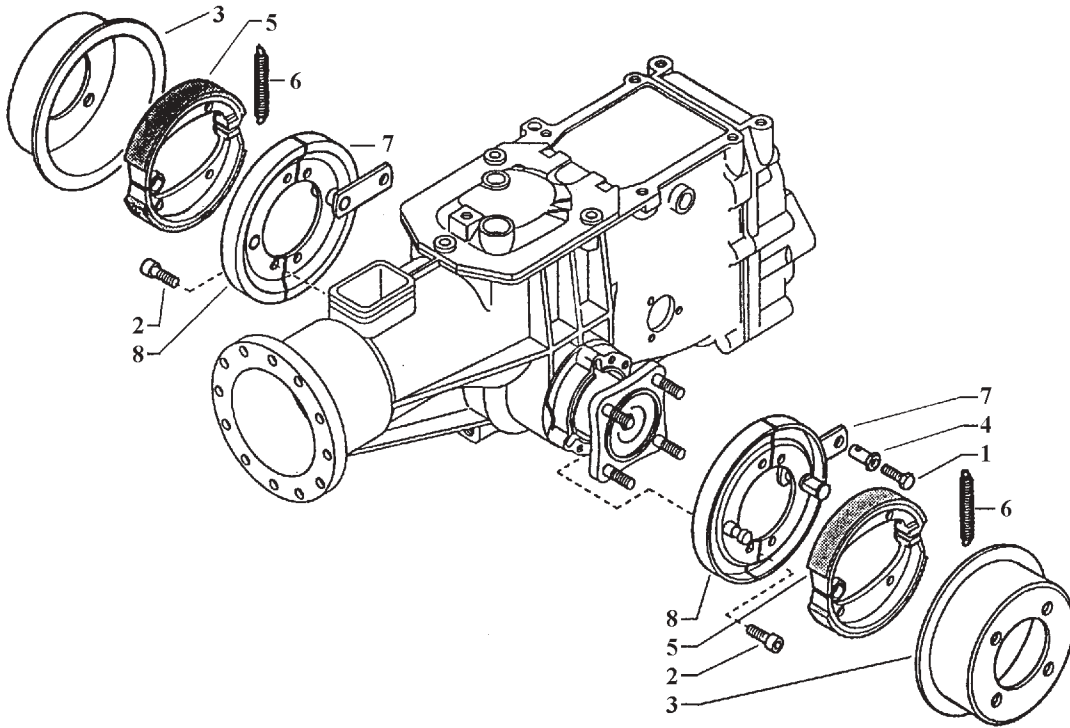
ID	PART NO	QTY	DESCRIPTION	ID	PART NO	QTY	DESCRIPTION
1	311.11229		CAP SCREW M10X110	16	580.42167		SHEATH END
2	311.12154		CAP SCREW M8X40	17	580.56918		SPRING, STEERING COLUMN
3	311.12293		CAP SCREW M12X80	18	580.56942		SPRING, HANDLEBAR RELEASE
4	312.41080		NUT, SELF LOCKING M8	19	580.56991		SUPPORT, CAP
5	312.41100		NUT, SELF LOCKING M10	20	590.56935		LEVER, HANDLEBAR SELECTION
6	312.41126		NUT, LOCK DEFORMED M12	21	590.57025		STEERING COLUMN
7	314.21100		SPRING	22	590.57033		COUPLER, STEERING COLUMN
8	314.23084		WASHER, LOCK M8.4				
9	521.56917		WEDGE				
10	551.02714		KNOB				
11	552.43340		SUPPORT, CONTROL ROD				
12	552.49668		GUIDE, CABLE				
13	561.56940		U-BOLT				
14	561.56948		BRACKET				
15	563.56924		CAP				



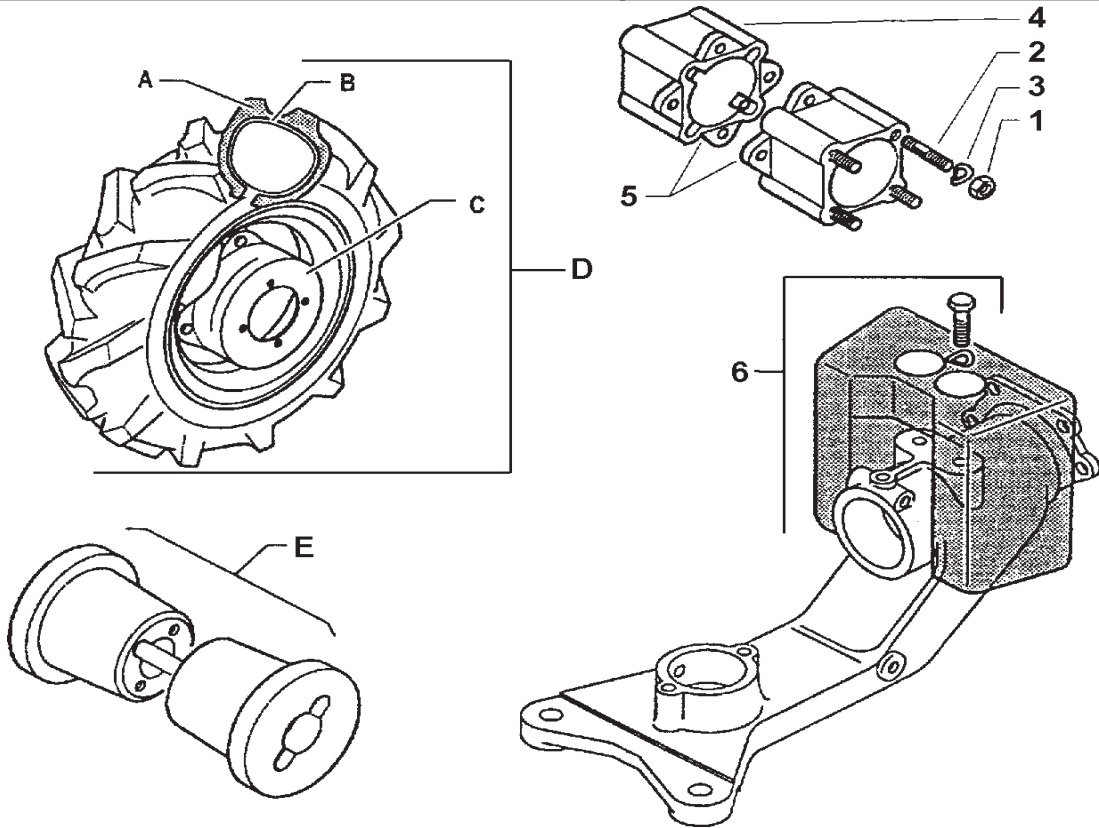
ID	PART NO	QTY	DESCRIPTION	ID	PART NO	QTY	DESCRIPTION
1	311.11086		CAP SCREW M4X25	26	561.50361		SPACER, LEVER
2	311.11097		CAP SCREW M6X45	27	561.57332		PIN, REVERSE CABLE
3	311.12089		CAP SCREW M6X25	28	580.02429		CLAMP, CABLE
4	311.12153		CAP SCREW M8X35	29	580.02538		LEVER, ACCELERATOR
5	312.11040		NUT, M4	30	580.42167		SHEATHEND
6	312.11080		NUT, M8	31	580.42202		SCREW, ADJUSTING M8
7	312.41060		NUT, SELF LOCKING M6	32	580.47712		SPRING
8	312.41080		NUT, SELF LOCKING M8	33	580.48000		GRIP
9	314.11043		WASHER, FLAT M4.3	34	580.48009		SAFETY INTERLOCK
10	314.11064		WASHER, FLAT M6.4	35	580.51670		STOP WIRE
11	314.11084		WASHER, FLAT M8.4	36	580.52301		CABLE & SHEATH, BRAKE
12	314.23043		WASHER, LOCK M4.3	37	580.53049		CABLE & SHEATH
13	314.23084		WASHER, LOCK M8.4	38	580.56155		SPRING
14	342.13020		PIN, SPLIT SPIROL 4X20	39	580.56593		SPRING
15	351.21012		SNAP RING, D12	40	580.57263		CLAMP, CABLE
16	552.48041		LEVER, MOTOR STOP	41	580.57289		CABLE & SHEATH, REVERSE
17	552.48283		LEVER, REVERSER	42	580.57336		CABLE, ACCELERATOR
18	552.48284		LEVER, DIFFERENTIAL LOCK	43	580.57343		CABLE & SHEATH, CLUTCH
19	552.57042		LEVER, BRAKE	44	580.57401		WIRE, MOTOR STOP
20	561.47655		LEVER, CLUTCH	45	581.47704		SCREW, ADJUSTING M6
21	561.47711		PIN, LATCH	46	581.50313		BARRELL
22	561.48037		PIN	47	581.56156		CLAMP, THROTTLE
23	561.48285		PIN	48	590.47709		PLATE, INTERLOCK
24	561.48286		PIN, DRILLED	49	590.57036		HANDLE BAR
25	561.48287		BUSHING, REVERSE LEVER				



ID	PART NO	QTY	DESCRIPTION	ID	PART NO	QTY	DESCRIPTION
1	300.10120		SILENTBLOCK 12X40X58X66-	26	561.47560		LEVER, REVERSE SPEED
2	311.12148		CAP SCREW M8X14	27	561.47574		BLOCK, REVERSER
3	311.12149		CAP SCREW M8X12	28	561.47646		CONTROL ROD, GEAR SELECT
4	311.12701		CAP SCREW M12X100	29	561.47648		CONTROL ROD, PTO
5	312.41080		NUT, SELF LOCKING M8	30	561.47672		PIN, GUIDE
6	312.41120		NUT, SELF LOCKING M12	31	561.57239		GEAR QUADRANT
7	314.11084		WASHER, FLAT M8.4	32	561.57271		LEVER, GEAR
8	314.11104		WASHER, FLAT M10.5	33	561.57303		SPACER
9	314.11130		WASHER, FLAT M13X25	34	561.57324		SHIFT ARM, PTO
10	314.14130		WASHER, FLAT M13	35	580.43176		SPRING
11	314.21083		WASHER, SUPER M8	36	580.47671		SPRING, REVERSER
12	314.23084		WASHER, LOCK M8.4	37	580.49830		SPRING
13	341.10028		PIN, COTTER M2X15	38	580.57232		SPRING
14	342.13020		PIN, SPIROL M4X20	39	590.57027		SUPPORT, STEERING COLUMN
15	342.13022		PIN, SPIROL M3X22	40	590.57300		LEVER, SPEED SELECTOR
16	342.13024		PIN, SPIROL M4X24	41	590.57315		LEVER, PTO LOCKOUT
17	379.11532		BALL 15/32				
18	381.11191		O-RING				
19	382.11400		OIL SEAL M14X22X4				
20	523.57250		SHAFT, PTO				
21	551.42076		KNOB				
22	552.47645		JOINT				
23	552.48379		ARTICULATION, PTO				
24	552.57313		PIN, PTO LOCKOUT				
25	552.57322		ARTICULATION, PTO				

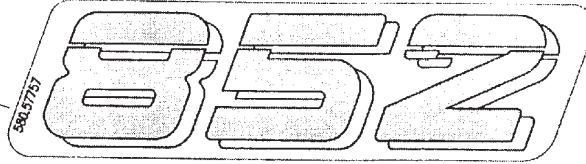
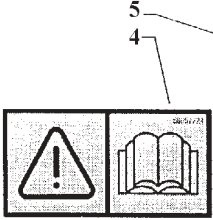


ID	PART NO	QTY	DESCRIPTION	ID	PART NO	QTY	DESCRIPTION
1	311.11091		CAP SCREW M6X14	6	580.48215		SPRING
2	311.52085		CAP SCREW M8X25	7	590.48200		LEVER
3	561.48218		BRAKE DRUM	8	590.48208		PIN, HALF DISC
4	580.42200		PIN, CABLE CLAMP				
5	580.48214		BRAKE SHOE				



ID	PART NO	QTY	DESCRIPTION	ID	PART NO	QTY	DESCRIPTION
1	312.11100		NUT, M10	4	NSI		USE ITEM#922.4385
2	313.12103		STUDM10X46X24X16	5	922.43685	PAIR	WHEEL EXTENSIONS COMPLETE
3	314.23105		WASHER, M10.5	6	922.48923		SICKLE BAR WEIGHT 26LBS
A	391.14010		TIRE 4.00 - 10"	D	922.48332	PAIR	WHEELS COMPLETE 18 X 4.00 - 10"
	391.15010		TIRE 5.00 - 10"		922.48334	PAIR	WHEELS COMPLETE 19 X 5.00 - 10"
	391.15012		TIRE 5.00 - 12"		922.44806	PAIR	WHEELS COMPLETE 22 X 6.50 - 12"
	391.16018		TIRE 22 X 6.50 - 12"		922.44809	PAIR	WHEELS COMPLETE 22 X 5.00 - 12"
B	394.14010		TUBE 4.00 - 10"	E	922.48715	PAIR	WHEEL WEIGHTS 66 LBS 4.0-10 & 5.0-10
	394.15010		TUBE 5.00 - 10"		922.48720	PAIR	WHEEL WEIGHTS 150 LBS 5.00-12 & 6.00-12
	394.15012		TUBE 5.00 - 12"				
	394.16018		TUBE 6.50 - 12"				
C	580.52327		RIM 4.00 - 10" & 5.00 - 10"				
	580.44804		RIM 5.00 - 12" & 6.50 - 12"				

NSI - Not serviced individually



TO START

- SET CLUTCH LATCH (SEE DECAL ON HANDLE)
- MOVE THROTTLE TO MIDDLE POSITION
- OPEN FUEL VALVE AT FUEL TANK
- LIFT CHOKE LEVER UP TO CHOKE FOR COLD START FOOT HERE

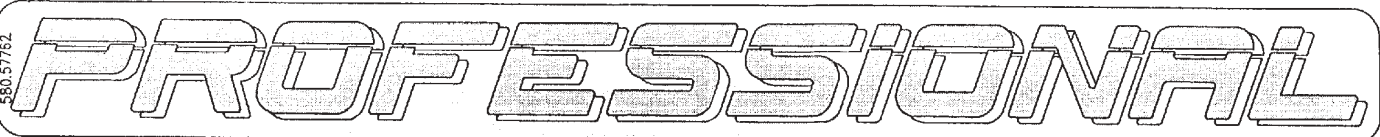
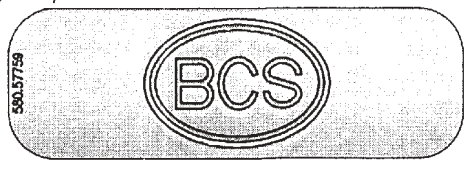
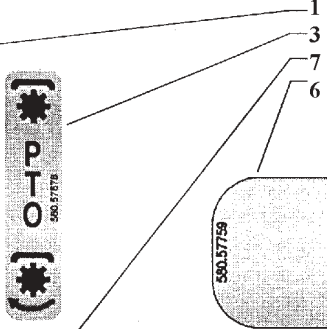


FOR STARTING

- STABILIZE MACHINE
- GRASP STARTER HANDLE AND PULL FIRMLY- ELECTRIC START MODELS-TURN KEY MOVE CHOKE DOWN TO OFF

CHECK OIL BEFORE STARTING

- ENGINE CRANKCASE- SAE 10W40 OIL - FILL TO EDGE OF FILLER HOLE- CHECK EVERY 4 HOURS
- TRANSMISSION - 90 EP GEAR OIL
- IMPLEMENTS DRIVING UNIT-90EP GEAR OIL LEVEL WITH FILLER PLUG



ID	PART NO	QTY	DESCRIPTION	ID	PART NO	QTY	DESCRIPTION
1	580.47959		DECAL, CHECK OIL	6	580.57759		DECAL, SMALL BCS
2	580.47960		DECAL, TO START	7	580.57762		DECAL, PROFESSIONAL
3	580.57678		DECAL, PTO				
4	580.57724		DECAL, READ OP MANUAL				
5	580.57757		DECAL, 852				

852

Decals

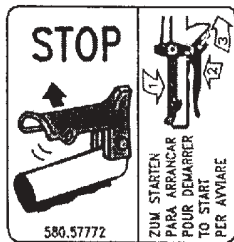
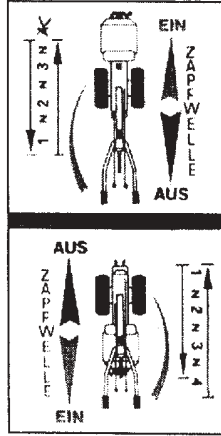
Serial Number Range
ALL

12.00

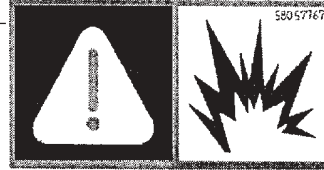
580.5770
KUPPLUNG
EMBRAYAGE
EMBRAGUE
CLUTCH
FRIZIONE



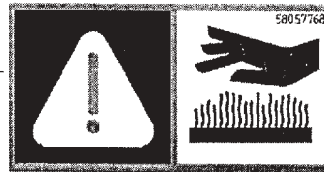
7



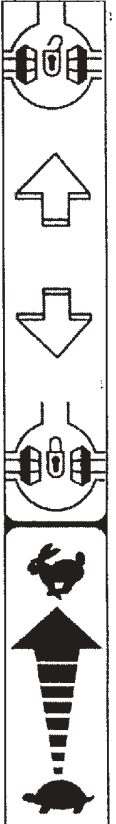
1
4
8



2
3
5



6



ID	PART NO	QTY	DESCRIPTION	ID	PART NO	QTY	DESCRIPTION
1	580.47731		DECAL, HANDLE CHANGES	6	580.57768		DECAL, CAUTION HOT
2	580.48656		DECAL, BCS	7	580.57770		DECAL, CLUTCH
3	580.57688		DECAL, DIFFERENTIAL/THROTTLE	8	580.57772		DECAL, STOP LEVER
4	580.57706		DECAL, GEAR SELECTION				
5	580.57767		DECAL, CAUTION EXPLOSIVE				