



A M E R I C A

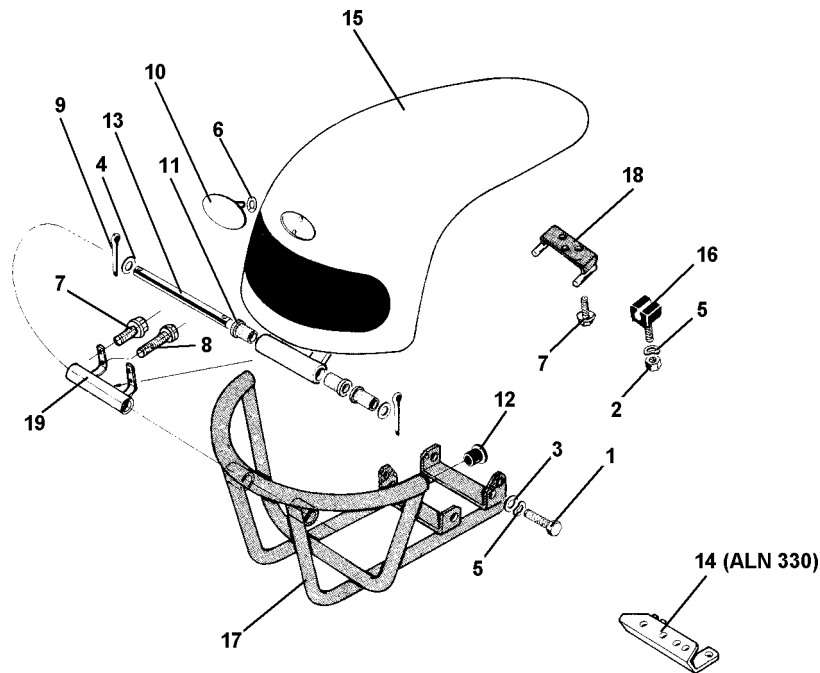
737

Engine Hood

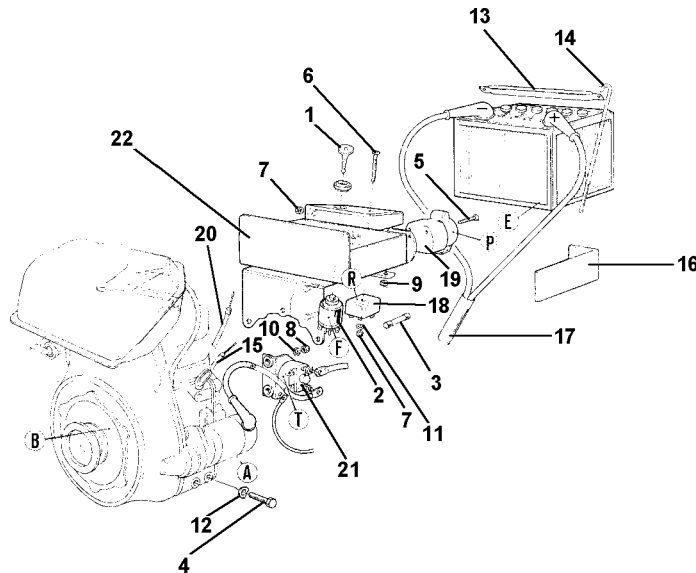
Serial Number Range
10000 - -----

01.00

REVISED 08/14/02



| ID | PARTNO | DESCRIPTION | DENOMINACION | NOTES |
|----|-----------|--------------------------------|----------------------------------|-------|
| 1 | 311.12150 | SCREW M8 X 20 | TORNILLO M8 X 20 | |
| 2 | 312.11080 | NUT M8 | TUERCA M8 | |
| 3 | 314.11084 | WASHER, FLAT 8.4 | ARANDELA PLANA 8.4 | |
| 4 | 314.11105 | FLAT WASHER 10.5 X 21 | ARANDELA PLANA 10.5 X 21 | |
| 5 | 314.23084 | WASHER, LOCK 8.4 | ARANDELA DE RES. 8.4 | |
| 6 | 314.40004 | WASHER, LOCK FOR PINS | D-4 ARAND. ELAST. PARA PERNO D-4 | |
| 7 | 315.10098 | SCREW AF 6.3 X 16 | TORNILLO AF 6.3 X 16 | |
| 8 | 315.10099 | SCREW AF 6.3 X 38 UNI 6950 | TORNILLO AF 6.3 X 38 UNI 6950 | |
| 9 | 341.10030 | PIN, COTTER A 3 X 20 UNI 1336 | PASADOR A 3 X 20 UNI 1336 | |
| 10 | 530.48656 | BCS LOGO | MARCA OVAL, BCS | |
| 11 | 551.42109 | BUSH | CASQUILLO | |
| 12 | 552.48241 | CAP D-25 | TAPON D-25 | |
| 13 | 561.42110 | PIN, COUPLING | PERNO ACOPLAMIENTO | |
| 14 | 561.48031 | COVER RUBBER PAD SUPP. ALN 330 | SOPORTE TAPON COFRE ALN 330 | |
| 15 | 580.47410 | COVER 737 | COFRE 737 | |
| 16 | 580.47438 | RUBBER PAD | TAMPON GOMA | |
| 17 | 590.47417 | COMPLETE BUMPER | PARA-CHOQUE COMPLETO | |
| 18 | 590.47441 | COVER UPPER STOP | ESTACIONAMIENTO SUPERIOR COFRE | |
| 19 | 590.47445 | COVER COUPLING BRACKET | ESTRIBO ACOPLAMIENTO CAPO | |

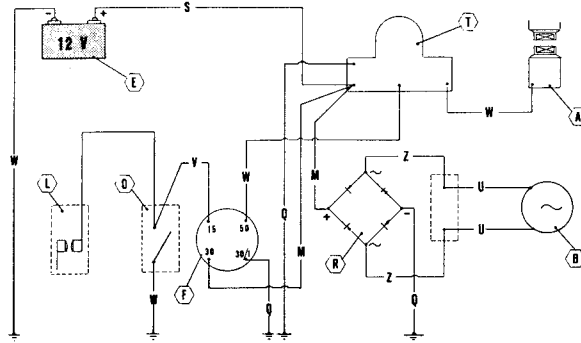


CIRCLED LETTERS REFER TO SCHEMATIC 03.00

| ID | PARTNO | DESCRIPTION | DENOMINACION | NOTES |
|----|-----------|------------------------------|-------------------------------|-------|
| 1 | 300.00276 | KEY | LLAVE | |
| 2 | 300.00277 | SWITCH | INTERRUPTOR | |
| 3 | 300.00551 | FUSE 6 X 25 25A | FUSIBLE | |
| 4 | 311.11150 | SCREW TE M8 X 12 | TORNILLO TE M8 X 12 | |
| 5 | 311.52043 | SCREW TCCEI M4 X 30 | TORNILLO TCCEI M4 X 30 | |
| 6 | 311.61043 | SCREW TC M4 X 30 UNI 6107 | TORNILLO TC M4 X 30 UNI 6107 | |
| 7 | 312.11040 | NUT M4 | TUERCA M4 | |
| 8 | 312.11060 | NUT M6 | TUERCA M6 | |
| 9 | 312.41060 | NUT, SELF LOCKING M6 | TUERCA AUTOBLOC. M6 | |
| 10 | 314.11064 | WASHER, FLAT 6.4 | ARANDELA PLANA 6.4 | |
| 11 | 314.23043 | LOCK WASHER B 4.3 | ARANDELA DE RES. B 4.3 | |
| 12 | 314.23084 | WASHER, LOCK 8.4 | ARANDELA DE RES. 8.4 | |
| 13 | 561.19937 | BATTERY BRACKET | SOPORTE PARA BATERIA | |
| 14 | 561.49590 | BATTERY TIEROD | TIRANTE PARA BATERIA | |
| 15 | 580.26224 | CABLE & SHEATH ACCEL.LOMBAR | CABLE VAINA GAS LOMBARDINI | |
| 16 | 580.43032 | ANTISHOCK BAT | CAUCHO ANTI-COLPES | |
| 17 | 580.43034 | ELECTRIC START CABLES MC 715 | CABLEADO ARRANQUE ELECT MC715 | |
| 18 | 580.43036 | RECTIFIER | ENDEREZADOR | |
| 19 | 580.45826 | 7-POLE SOCKET | ENCHUFE 7 POLOS | |
| 20 | 580.48006 | SHEATH CABLE | FILO VAINA | |
| 21 | 581.00052 | BOSCH RELAY 0332002160 | RELAIS BOSCH | |
| 22 | 590.48042 | SUPPORT BATTERY | SOPORTE BATERIA | |

**ELECTRIC STARTER WITHOUT LIGHTS
ARRANQUE SIN FANALES**

1IM 350, ALN 330 W, AT 330



- A: STARTER - MOT. DE ARRANQUE
- B: GENERATOR - GENERADOR
- E: BATTERY - BATERIA
- F: SWITCH - INTERRUPTOR
- I: LIGHTS - FAROS
- L: POINTS - PLATINOS
- O: MOTOR STOP - MOTOR STOP
- R: RECTIFIER - ENDEREZADOR
- T: REMOTE CONTR. SWITCH - TELERUPTOR
- Q: YELLOW GREEN - AMARILLO VERDE
- M: RED - ROJO
- N: GREEN - VERDE
- S: BLUE - AZUL
- U: YELLOW - AMARILLO
- V: WHITE - BLANCO
- Z: BROWN - CASTANO
- Y: GREY - GRIS
- W: BLACK - NEGRO

| ID | PART NO | DESCRIPTION | DENOMINACION | NOTES |
|----|---------|-------------|--------------|-------|
| | | | | |

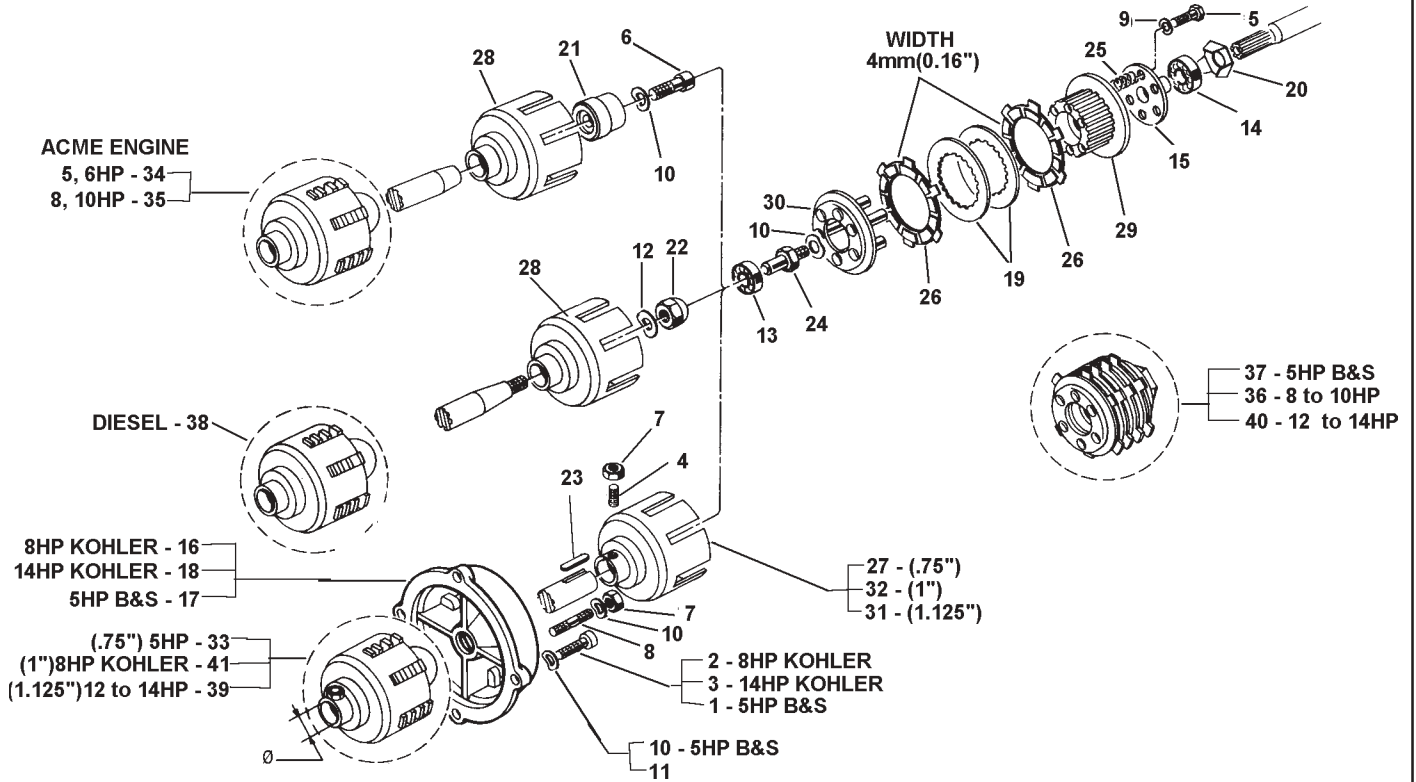
737

Disc Clutch

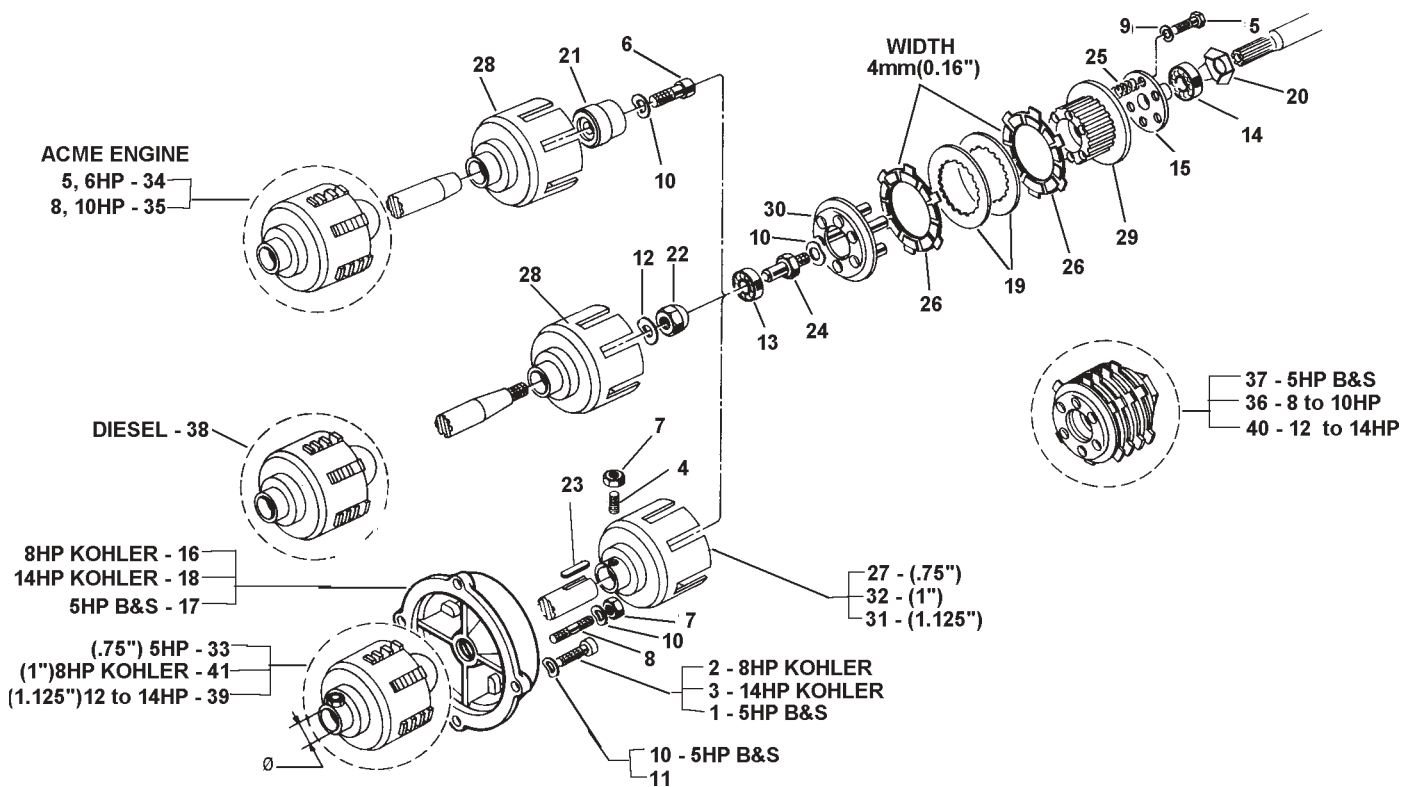
Serial Number Range
10000 - -----

04.00

REVISED 05/20/04



| ID | PARTNO | DESCRIPTION | DENOMINACION | NOTES |
|----|-----------|-------------------------------|----------------------------------|--|
| 1 | 311.00003 | SCREW 5/16 X 7/8 | TORNILLO TE 5/16 X 7/8 UNF 2A AC | |
| 2 | 311.00015 | SCREW 3/8 X 1 | TORNILLO 3/8 X 1 | |
| 3 | 311.00024 | SCREW | TORNILLO | |
| 4 | 311.00781 | SCREW M8 X 14 | TORNILLO M8 X 14 | |
| 5 | 311.12051 | SCREW | TORNILLO | |
| 6 | 311.52085 | SCREW M8 X 25 | TORNILLO M8 X 25 | |
| 7 | 312.11080 | NUT M8 | TUERCA M8 | |
| 8 | 313.12088 | STUD M8 X 40 X 14 X 14 | PRISIONERO M8 X 40 X 14 X 14 | |
| 9 | 314.21062 | SUPER WASHER | SUPER ARANDELA | |
| 10 | 314.23084 | WASHER, LOCK 8.4 | ARANDELA DE RES. 8.4 | |
| 11 | 314.23105 | WASHER, LOCK 10.5 | ARANDELA DE RES. 10.5 | |
| 12 | 314.23170 | WASHER, LOCK 17 | ARANDELA DE RES. 17 | |
| 13 | 371.12099 | BEARING | COJINETE | |
| 14 | 371.12171 | BEARING 17 X 40 X 12 | COJINETE 17 X 40 X 12 | |
| 15 | 523.49818 | CLUTCH FLANGE | CAMPANA EMBRAGUE | |
| 16 | 531.49819 | FLANGE FOR KOHLER ENGINE 8HP | BRIDA PARA MOTOR KOHLER 8HP | |
| 17 | 532.47468 | FLANGE FOR 5HP B&S | BRIDA PARA MOTOR B&S 5HP | |
| 18 | 532.49783 | FLANGE FOR KOHLER ENGINE 14HP | BRIDA PARA MOTOR KOHLER 14HP | |
| 19 | 561.49820 | INSIDE CLUTCH DISC | DISCO INTERIOR EMBRAGUE | |
| 20 | 563.43106 | BEARING PLATE | CHAPA SOBRE COJINETE | |
| 21 | 563.47472 | BEARING HOLDER BUSHING | CASQUILLO PORTA-COJINETE | |
| 22 | 563.49562 | SPECIAL NUT | TUERCA ESPECIAL | |
| 23 | 563.49782 | KEY | LINGUETA | |
| 24 | 563.49816 | SCREW 9 X 1 | TORNILLO 9 X 1 | 24 - ON SOME LOW SERIAL NUMBER UNITS THIS BOLT IS A 8 X 1.25 PART NUMBER 563.49558. PLEASE VERIFY BEFORE ORDERING. |
| 25 | 580.49815 | DISC CLUTCH SPRING | MUELLE PARA EMBRAGUE A DISCOS | |
| 26 | 580.49821 | OUTSIDE DISC | DISCO | |
| 27 | 590.47466 | CLUTCH BELL | CAMPANA EMBRAGUE | |
| 28 | 590.49803 | CLUTCH BELL | CAMPANA EMBRAGUE | |
| 29 | 590.49807 | CLUTCH HUB | CUBO EMBRAGUE | |
| 30 | 590.49810 | CLUTCH BOTTOM | CASQUILLO EMBRAGUE | |
| 31 | 590.49813 | KOHLER CLUTCH BELL | CAMPANA EMBRAGUE KOHLER | |
| 32 | 590.49823 | CLUTCH BELL | CAMPANA EMBRAGUE | |
| 33 | 592.47465 | DISC CLUTCH ASSEMBLY | EMBRAGUE A DISCOS | |
| 34 | 592.47469 | DISC CLUTCH ASSEMBLY | EMBRAGUE A DISCOS | 34- REPLACED BY 592.47884 |
| 35 | 592.47470 | DISC CLUTCH ASSEMBLY | EMBRAGUE A DISCOS | |



| ID | PARTNO | DESCRIPTION | DENOMINACION | NOTES |
|----|-----------|----------------------|-----------------|---------------------------|
| 36 | 592.47471 | DISC ASSEMBLY | DISCOS EMBRAGUE | |
| 37 | 592.47475 | DISC ASSEMBLY | DISCOS EMBRAGUE | |
| 38 | 592.49800 | DISC CLUTCH ASSEMBLY | | 38- REPLACED BY 592.47924 |
| 39 | 592.49801 | DISC CLUTCH ASSEMBLY | | 39- REPLACED BY 592.47906 |
| 40 | 592.49802 | DISC ASSEMBLY | DISCOS EMBRAGUE | |
| 41 | 592.49809 | DISC CLUTCH ASSEMBLY | | 41- REPLACED BY 592.47907 |

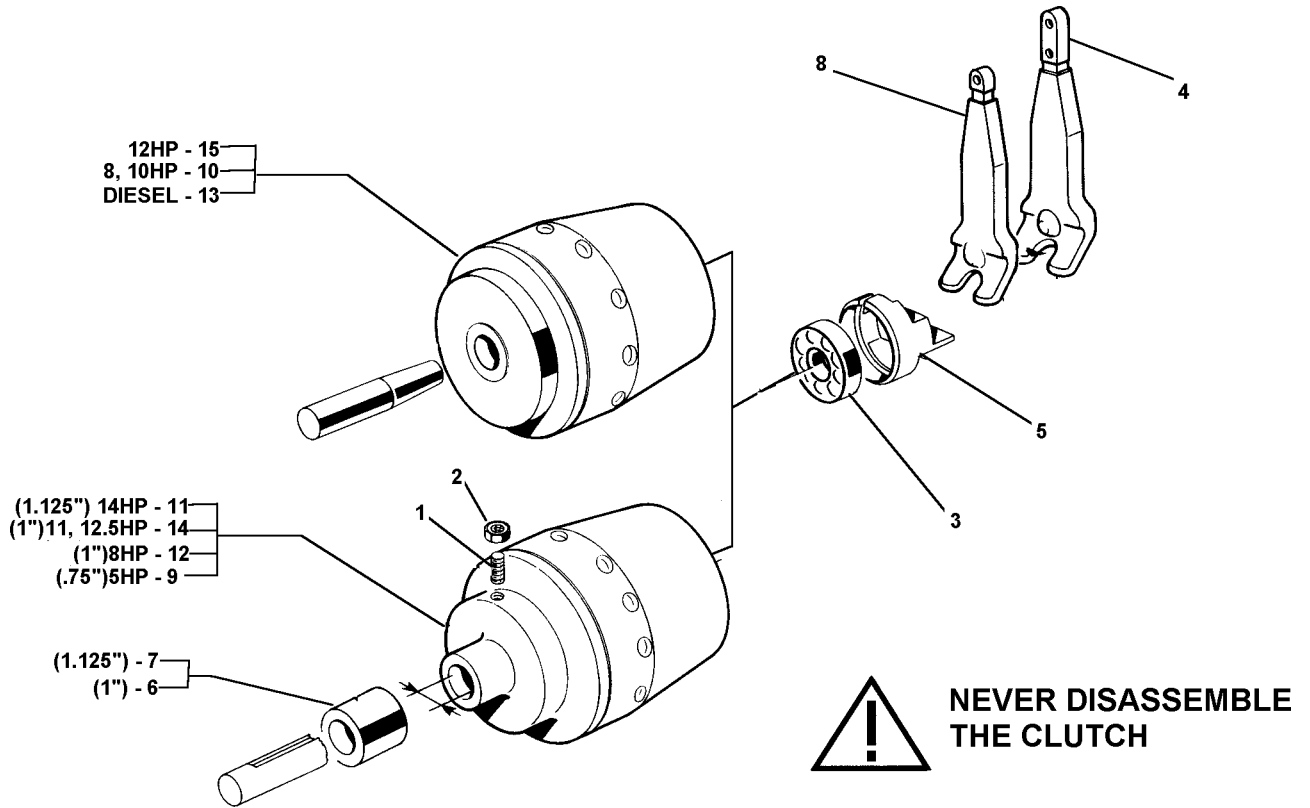
737

H.D. Cone Clutch

Serial Number Range
All Units With H.D. Clutch

05.00

REVISED 08/14/02



| ID | PARTNO | DESCRIPTION | DENOMINACION | NOTES |
|----|-----------|-------------------------------|---------------------------|-------|
| 1 | 311.00786 | SET SCREW M8 X 30 | TORNILLO M8 X 30 UNI 5923 | |
| 2 | 312.11080 | NUT M8 | TUERCA M8 | |
| 3 | 371.12173 | BEARING 17 X 40 X 12 | COJINETE 17 X 40 X 12 | |
| 4 | 522.47874 | CLUTCH LEVER - RECOIL START | PALANCA EMBRAGUE | |
| 5 | 524.47896 | CONE PUSHER | EMPUJADOR CONO | |
| 6 | 561.47480 | SPACER 12.5HP VANGARD | SEPARADOR | |
| 7 | 561.47849 | SPACER | SEPARADOR | |
| 8 | 562.47899 | CLUTCH LEVER - ELECTRIC START | PALANCA EMBRAGUE | |
| 9 | 592.43150 | HEAVY DUTY CLUTCH | EMBRAGUE A CONICO | |
| 10 | 592.47884 | HEAVY DUTY CLUTCH | EMBRAGUE A CONICO | |
| 11 | 592.47906 | HEAVY DUTY CLUTCH | EMBRAGUE A CONICO | |
| 12 | 592.47907 | HEAVY DUTY CLUTCH | EMBRAGUE A CONICO | |
| 13 | 592.47924 | HEAVY DUTY CLUTCH | EMBRAGUE A CONICO | |
| 14 | 592.47970 | HEAVY DUTY CLUTCH | EMBRAGUE A CONICO | |
| 15 | 592.47971 | HEAVY DUTY CLUTCH | EMBRAGUE A CONICO | |

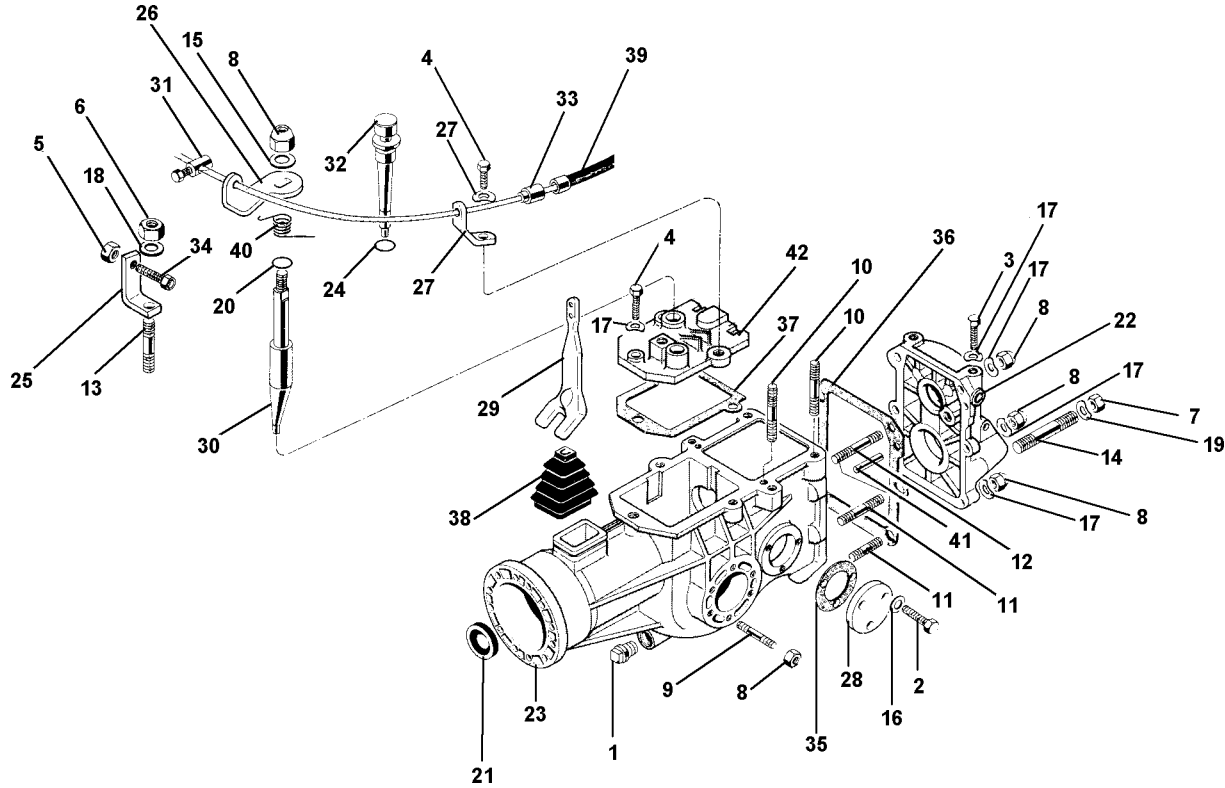
737

Gearbox

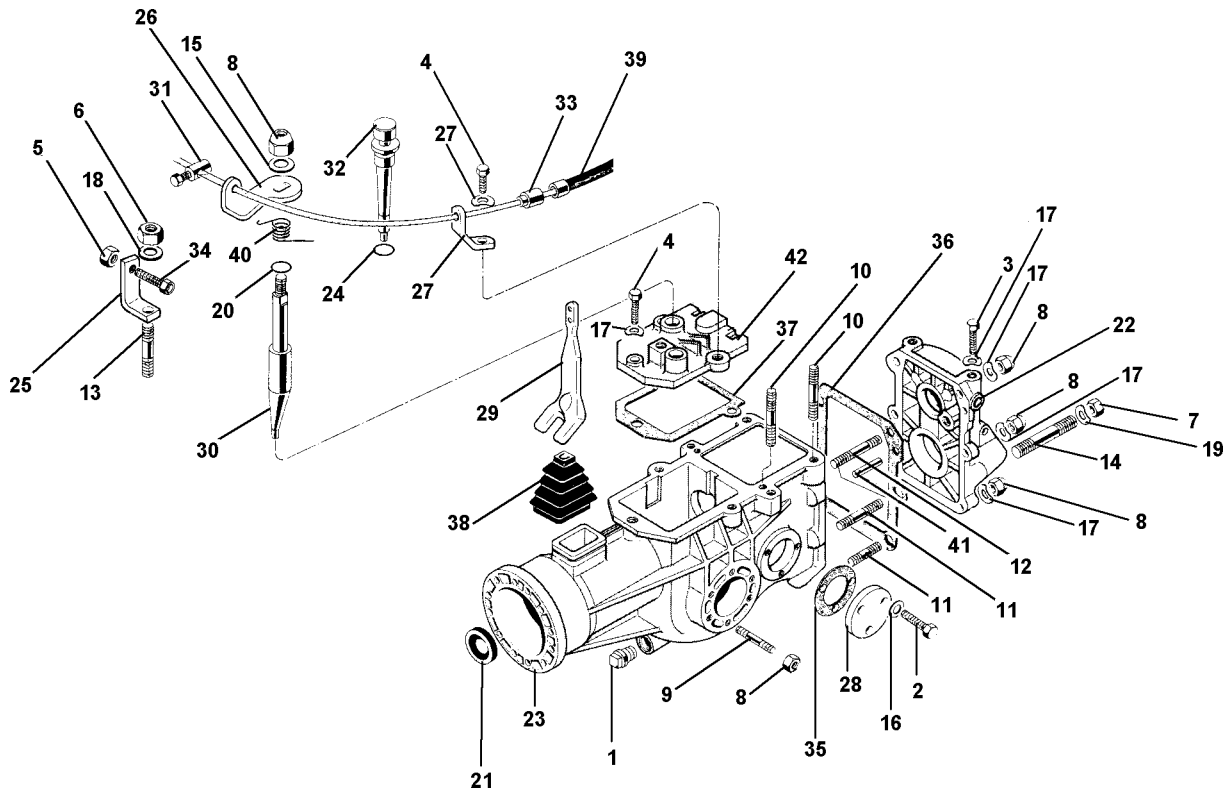
Serial Number Range 10000 - 14275

06.00

REVISED 08/14/02



| ID | PARTNO | DESCRIPTION | DENOMINACION | NOTES |
|----|-----------|-------------------------------|----------------------------------|-------|
| 1 | 300.40001 | PLUG 1/4 GAS | TAPON 1/4 GAS | |
| 2 | 311.11090 | SCREW TE M6 X 10 UNI 5739-5S | TORNILLO TE M6 X 10 UNI 5739-5S | |
| 3 | 311.12150 | SCREW M8 X 20 | TORNILLO M8 X 20 | |
| 4 | 311.12152 | SCREW TE M8 X 30 | TORNILLO TE M8 X 30 | |
| 5 | 312.11080 | NUT M8 | TUERCA M8 | |
| 6 | 312.11100 | NUT M10 | TUERCA M10 | |
| 7 | 312.21121 | NUT M12 X 1.25 UNI 5587 6S | TUERCA M12 X 1.25 UNI 5587 6S | |
| 8 | 312.41080 | NUT, SELF LOCKING M8 | TUERCA AUTOBLOC. M8 | |
| 9 | 313.12080 | STUD M8 X 46 X 20 X 12 | PRISIONERO M8 X 46 X 20 X 12 | |
| 10 | 313.12082 | STUD M8 X 38 X 14 X 20 | PRISIONERO M8 X 38 X 14 X 20 | |
| 11 | 313.12083 | STUD M8 X 46 X 16 X 16 | PRISIONERO M8 X 46 X 16 X 16 | |
| 12 | 313.12084 | STUD M8 X 58 X 16 X 16 | PRISIONERO M8 X 58 X 16 X 16 | |
| 13 | 313.12101 | STUD M10 X 37 X 19 X 15 8G | PRISIONERO M10 X 37 X 19 X 15 8G | |
| 14 | 313.12124 | STUD 56XM12X1.25X26XM12X22 8G | PRIS. 56XM12X1.25X26XM12X22 8G | |
| 15 | 314.11084 | WASHER, FLAT 8.4 | ARANDELA PLANA 8.4 | |
| 16 | 314.22064 | WASHER, LOCK 6.4 | ARANDELA DE RES. 6.4 | |
| 17 | 314.23084 | WASHER, LOCK 8.4 | ARANDELA DE RES. 8.4 | |
| 18 | 314.23105 | WASHER, LOCK 10.5 | ARANDELA DE RES. 10.5 | |
| 19 | 314.23130 | WASHER, LOCK 13 | ARANDELA DE RES. 13 | |
| 20 | 381.11400 | O-RING 2056 14.00 X 1.78 | OR 2056 14.00 X 1.78 | |
| 21 | 382.11500 | OIL SEAL | CHAPA RET. ACEITE | |
| 22 | 531.47476 | REAR COVER | TAPA POSTERIOR | |
| 23 | 531.49600 | GEARBOX 745/606-605 | CAJA MANDO 745/606-605 | |
| 24 | 551.02678 | RUBBER RING | ANILLO GOMA | |
| 25 | 561.43878 | BRACKET CLUTCH CONTRAST | SOPORTE CONTRASTE | |
| 26 | 561.43880 | LEVER RELEASE | PALANCA DE DESENGANCHE | |
| 27 | 561.43883 | CONTRAST DIFFERENTIAL SHEATH | CONTRASTE VAINA DIFERENTIAL | |
| 28 | 561.47520 | SIDE COVER | TAPA LATERAL | |
| 29 | 562.43113 | CLUTCH LEVER | PALANCA EMBRAGUE | |
| 30 | 564.43871 | ROD | BARRA | |
| 31 | 580.02429 | CLAMP, CABLE | PASADOR | |
| 32 | 580.02666 | CAP, WITH MEASURING ROD | VARILLA NIVEL ACEITE CON TAPON | |
| 33 | 580.42167 | END, SHEATH | BULON CABLE EMBRAGUE | |
| 34 | 580.42202 | SCREW, ADJUSTING M8 | TORNILLO REGULACION M8 | |
| 35 | 580.43069 | GASKET | GUARNICION | |



| ID | PARTNO | DESCRIPTION | DENOMINACION | NOTES |
|----|-----------|------------------------|----------------------|-------|
| 36 | 580.43094 | GASKET, COVER | GUARNICION TAPA | |
| 37 | 580.43117 | GASKET, COVER | GUARNICION TAPA | |
| 38 | 580.43129 | BELLOWS | FUELLE | |
| 39 | 580.43216 | CABLE & SHEATH, CLUTCH | CABLE Y VAINA | |
| 40 | 580.43881 | SPRING | MUELLE | |
| 41 | 580.48053 | PARALLEL PIN D 6 X 20 | ESPINA CIL. D 6 X 20 | |
| 42 | 590.43876 | COVER DIFFERENTIAL | TAPA DIFERENTIAL | |

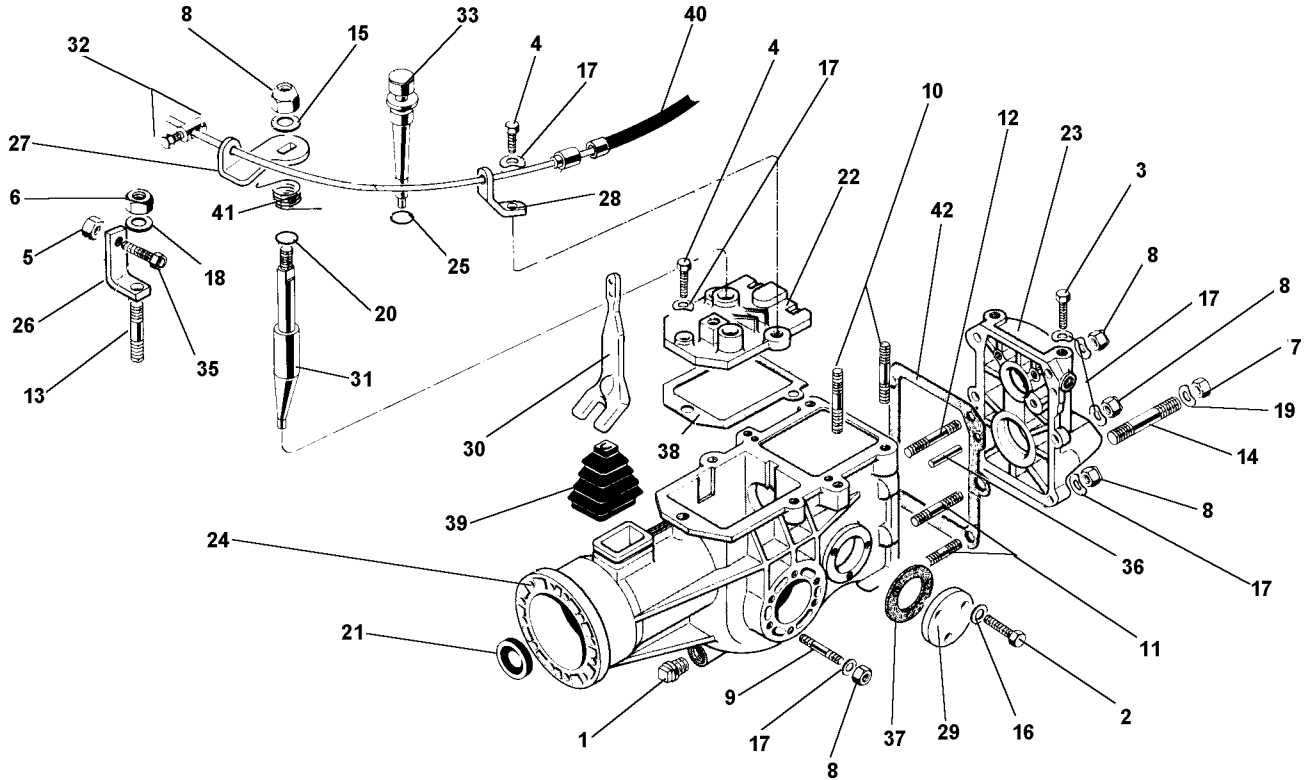
737

Gearbox

Serial Number Range 14276 - -----

06.01

REVISED 08/14/02



| ID | PARTNO | DESCRIPTION | DENOMINACION | NOTES |
|----|-----------|------------------------------|---------------------------------|-------|
| 1 | 300.40001 | PLUG 1/4 GAS | TAPON 1/4 GAS | |
| 2 | 311.11090 | SCREW TE M6 X 10 UNI 5739 5S | TORNILLO TE M6 X 10 UNI 5739 5S | |
| 3 | 311.12150 | SCREW M8 X 20 | TORNILLO M8 X 20 | |
| 4 | 311.12152 | SCREW TE M8 X 30 | TORNILLO TE M8 X 30 | |
| 5 | 312.11080 | NUT M8 | TUERCA M8 | |
| 6 | 312.11100 | NUT M10 | TUERCA M10 | |
| 7 | 312.21121 | NUT M12 X 1.25 | TUERCA M12 X 1.25 | |
| 8 | 312.41080 | NUT, SELF LOCKING M8 | TUERCA AUTOBLOC. M8 | |
| 9 | 313.12080 | STUD M8 X 46 X 20 X 12 | PRISIONERO M8 X 46 X 20 X 12 | |
| 10 | 313.12082 | STUD M8 X 38 X 14 X 20 | PRISIONERO M8 X 38 X 14 X 20 | |
| 11 | 313.12083 | STUD M8 X 46 X 16 X 16 | PRISIONERO M8 X 46 X 16 X 16 | |
| 12 | 313.12084 | STUD M8 X 58 X 16 X 16 | PRISIONERO M8 X 58 X 16 X 16 | |
| 13 | 313.12101 | STUD M10 X 37 X 19 X 15 | PRISIONERO M10 X 37 X 19 X 15 | |
| 14 | 313.12125 | STUD | PRISIONERO | |
| 15 | 314.11084 | FLAT WASHER 8.4 | ARANDELA PLANA 8.4 | |
| 16 | 314.22064 | WASHER, LOCK 6.4 | ARANDELA DE RES. 6.4 | |
| 17 | 314.23084 | WASHER, LOCK 8.4 | ARANDELA DE RES. 8.4 | |
| 18 | 314.23105 | WASHER, LOCK 10.5 | ARANDELA DE RES. 10.5 | |
| 19 | 314.23130 | WASHER, LOCK 13 | ARANDELA DE RES. 13 | |
| 20 | 381.11400 | O-RING 2056 14.00 X 1.78 | OR 2056 14.00 X 1.78 | |
| 21 | 382.11500 | OIL SEAL | CHAPA RET. ACEITE | |
| 22 | 531.43875 | GEARBOX COVER | TAPA CAJA MANDO | |
| 23 | 531.47477 | REAR COVER | TAPA POSTERIOR | |
| 24 | 531.49600 | GEAR BOX | CAJA MANDO | |
| 25 | 551.02678 | RUBBER RING | ANILLO GOMA | |
| 26 | 561.43878 | BRACKET CLUTCH CONTRAST | SOPORTE CONTRASTE | |
| 27 | 561.43880 | LEVER RELEASE | PALANCA DE DESENGANCHE | |
| 28 | 561.43883 | CONTRAST DIFFERENTIAL SHEATH | CONTRASTE VAINA DIFERENTIAL | |
| 29 | 561.47520 | SIDE COVER | TAPA LATERAL | |
| 30 | 562.43113 | CLUTCH LEVER | PALANCA EMBRAGUE | |
| 31 | 564.43871 | ROD | BARRA | |
| 32 | 580.02429 | CLAMP, CABLE | PASADOR | |
| 33 | 580.02666 | CAP, WITH MEASURING ROD | VARILLA NIVEL ACEITE CON TAPON | |
| 34 | 580.42167 | END, CABLE | BULON CABLE EMBRAGUE | |
| 35 | 580.42202 | SCREW, ADJUSTING M8 | TORNILLO REGULACION M8 | |

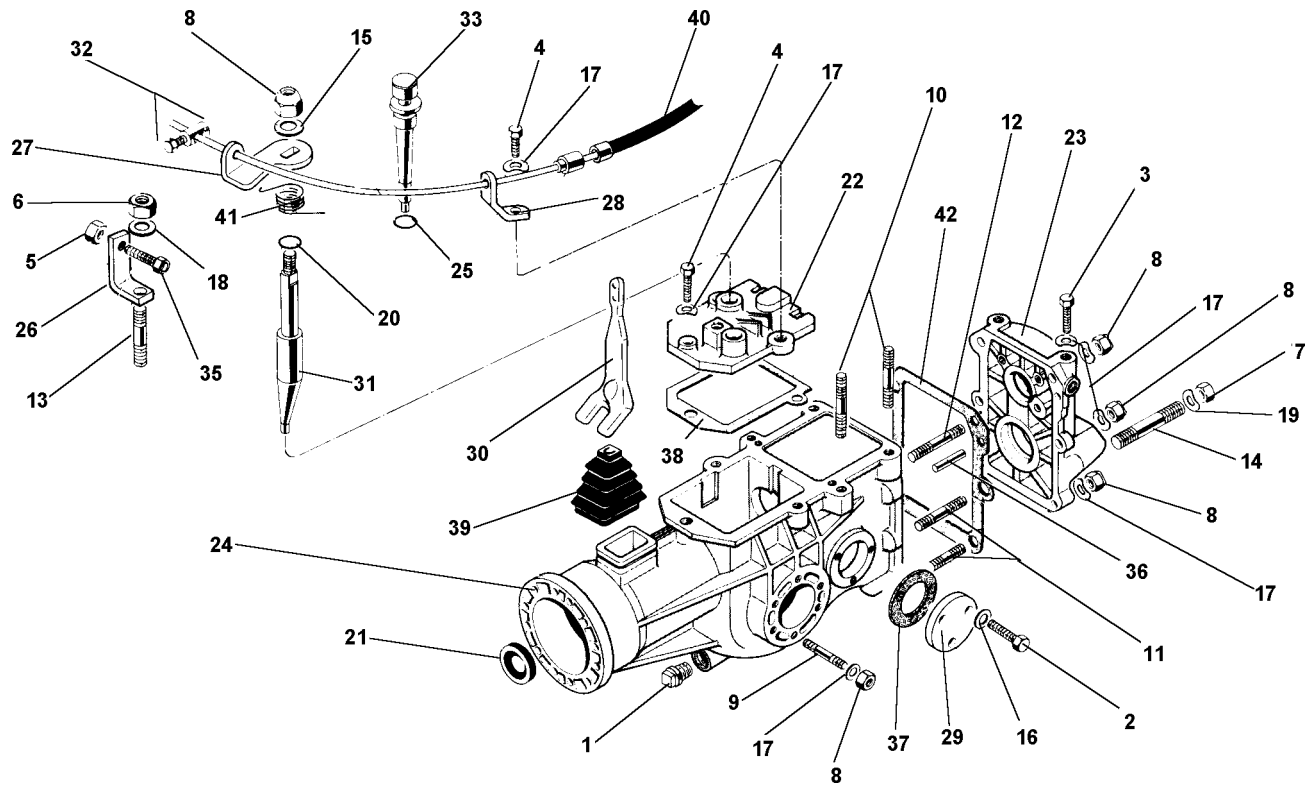
737

Gearbox

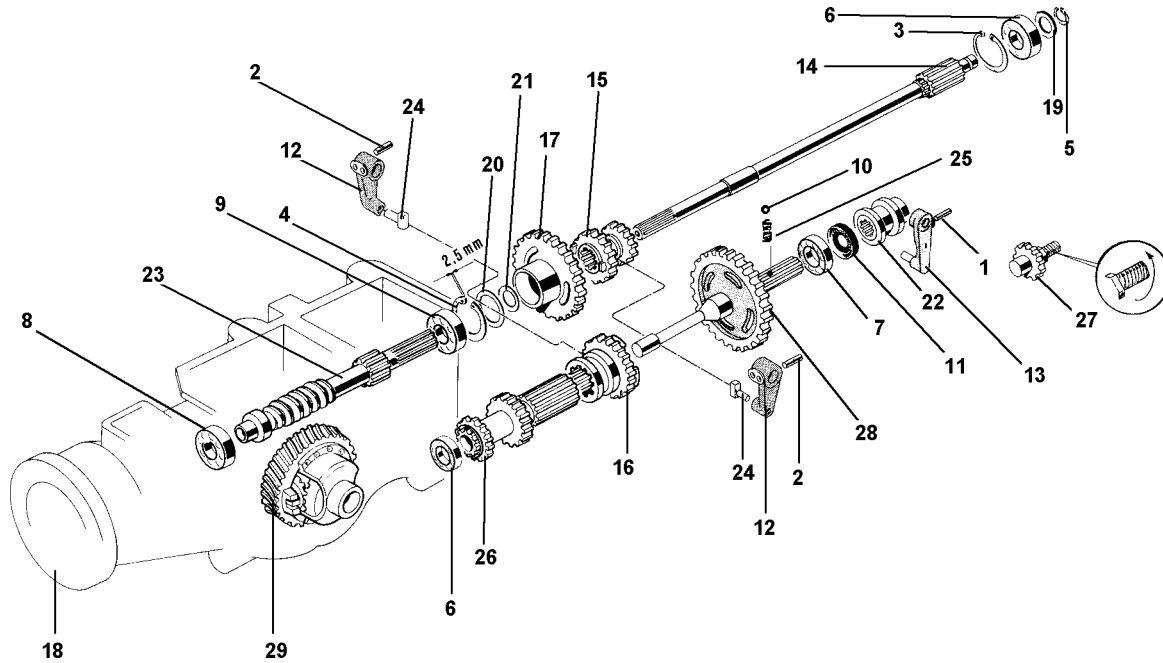
Serial Number Range
14276 - -----

06.01

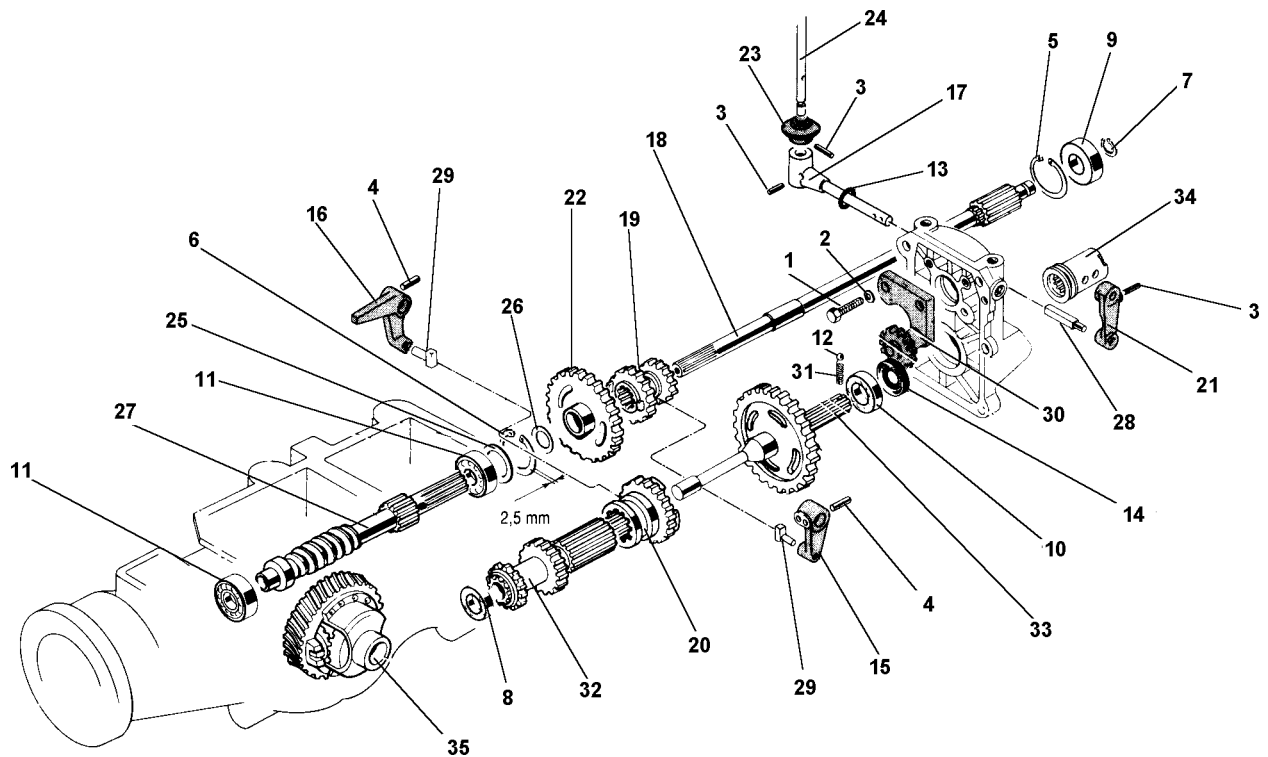
REVISED 08/14/02



| ID | PARTNO | DESCRIPTION | DENOMINACION | NOTES |
|----|-----------|-----------------------|----------------------|-------|
| 36 | 580.43053 | PARALLEL PIN D 6 X 20 | ESPINA CIL. D 6 X 20 | |
| 37 | 580.43069 | GASKET | GUARNICION | |
| 38 | 580.43117 | GASKET, COVER | GUARNICION TAPA | |
| 39 | 580.43129 | BELLOWS | FUELLE | |
| 40 | 580.43216 | CABLE CLUTCH | CABLE Y VAINA | |
| 41 | 580.43881 | SPRING | MUELLE | |
| 42 | 580.49604 | COVER GASKET | GUARNICION TAPA | |



| ID | PARTNO | DESCRIPTION | DENOMINACION | NOTES |
|----|-----------|--------------------------------|----------------------------------|--|
| 1 | 342.13020 | LOCKING PIN 4 X 20 SPIRAL | ESPINA DE RES. 4 X 20 ESPIRAL | SOME UNITS WITHIN THIS SERIAL NUMBER RANGE MAY HAVE UPDATED PTO WITH 3-TOOTH COUPLER. FOR PARTS SEE PAGE 07.01. |
| 2 | 342.13024 | LOCKING PIN 4 X 24 SPRIAL | ESPINA DE RES 4 X 24 ESPIRAL | |
| 3 | 351.11035 | INSIDE CIRCLIP DIAM. 35 | SEEGER INTERIOR DIAM. 35 | |
| 4 | 351.11053 | INSIDE CIRCLIP DIAM. 52 | SEEGER INTERIOR DIAM. 52 | |
| 5 | 351.21015 | CIRCLIP | SEEGER | |
| 6 | 371.11151 | BEARING | COJINETE | SERIAL NUMBERS BEFORE 10595 MAY HAVE EXTERNAL PTO BALL AND SPRING. |
| 7 | 371.11201 | BEARING 20 X 47 X 14 6204 | COJINETE 20 X 47 X 14 6204 | |
| 8 | 371.11255 | BEARING SKF 25 X 52 X 15 6205 | COJINETE SKF 25 X 52 X 15 6205 | |
| 9 | 371.41250 | BEARING | COJINETE | |
| 10 | 379.10832 | BALL 1/4 RIV RB-6.35 | BOLA 1/4 RIV RB-6.35 | |
| 11 | 382.12001 | SEAL, OIL 20 X 35 X 7 STANDARD | CHAPA RET. AC. 20 X 35 X 7 NORM. | |
| 12 | 521.43171 | LEVER, SPEED CHG SLDG GR | PALANCA ENGR. DESLIZABLE MAR. | |
| 13 | 523.43168 | SLIDE LEVER | PALANCA CURSOR | |
| 14 | 524.47492 | CLUTCH SHAFT FOR REVERSER | ARBOL EMBRAGUE PARA INVERT. | |
| 15 | 524.47494 | DOUBLE SLIDER | PINON DESPLAZABLE DOBLE | |
| 16 | 524.47505 | REVERSER SLIDER | PINON DESPLAZABLE P. INVERT. | |
| 17 | 524.48078 | WHEELS FIRST SPEED | BARRA I VELOCIDAD | |
| 18 | 531.49600 | GEARBOX 745/606-605 | CAJA MANDO 745/606-605 | |
| 19 | 561.43932 | WASHER, 15.1 X 25 X 2 | ARANDELA 15.1 X 25 X 2 | |
| 20 | 563.48056 | RING C-72 | ANILLO C-72 | |
| 21 | 563.48077 | WASHER 25 X 32 X 2 C-72 | ARANDELA 25 X 32 X 2 | |
| 22 | 564.43164 | SLIDER | CURSOR | |
| 23 | 564.47490 | WORM GEAR | TORNILLO SIN FIN | |
| 24 | 580.43086 | SHOE | PATIN | |
| 25 | 580.47579 | SPRING D6.2 X 15 | MUELLE D6.2 X 15 | |
| 26 | 590.47496 | GEAR | ENGRANAJE | |
| 27 | 590.47509 | REVERSER PIN | PERNO INVERTIDOR | |
| 28 | 590.48073 | P.T.O. SHAFT | ARBOL TOMA DE FUERZA | |
| 29 | 590.48199 | DIFFERENTIAL 737 | DIFERENCIAL 737 | |



| ID | PARTNO | DESCRIPTION | DENOMINACION | NOTES |
|----|-----------|---------------------------|-------------------------------|---|
| 1 | 311.12211 | SCREW M10 X 30 | TORNILLO M10 X 30 | SERIAL NUMBERS PRIOR TO 14276, WHEN REPLACING REVERSER GEAR MAY REQUIRE UPDATED PTO COVER PART NUMBER 531.47477. |
| 2 | 314.21101 | SUPER WASHER 10 | SUPER ARANDELA 10 | |
| 3 | 342.13020 | LOCKING PIN 4 X 20 SPIRAL | ESPIÑA DE RES. 4 X 20 ESPIRAL | |
| 4 | 342.13024 | LOCKING PIN 4 X 24 SPIRAL | ESPIÑA DE RES. 4 X 24 ESPIRAL | |
| 5 | 351.11042 | CIRCLIP, INTERNAL | SEEGER INT. | |
| 6 | 351.11053 | CIRCLIP INTERNAL DIAM. 52 | SEEGER INTERNO DIAM. 52 | |
| 7 | 351.21015 | CIRCLIP | SEEGER | |
| 8 | 371.11151 | BEARING | COJINETE | |
| 9 | 371.11152 | BEARING 15 X 42 X 13 | COJINETE 15 X 42 X 13 | |
| 10 | 371.11255 | BEARING 25 X 52 X 15 | COJINETE 25 X 52 X 15 | |
| 11 | 371.41250 | BEARING | COJINETE | |
| 12 | 379.11238 | BALL 3/8 | BOLA 3/8 | |
| 13 | 381.11191 | O-RING | OR | |
| 14 | 382.12500 | OIL SEAL 25 X 40 X 7 | CHAPA RET. ACEITE 25 X 40 X 7 | |
| 15 | 521.43171 | LEVER, SPEED CHG SLDG GR | PALANCA ENGR. DESLIZABLE MAR. | |
| 16 | 521.47530 | LEVER, REVERSER | PALANCA INVERTIDOR | |
| 17 | 523.47532 | PTO CONTROL PIN | PERNO MANDO TOMA DE FUERZA | |
| 18 | 524.47492 | CLUTCH SHAFT FOR REVERSER | ARBOL EMBRAGUE PARA INVERT. | |
| 19 | 524.47494 | DOUBLE SLIDER | PINON DESPLAZABLE DOBLE | |
| 20 | 524.47516 | SLIDER, REVERSER | PINON DESPLAZABLE INVERTIDOR | |
| 21 | 524.47523 | PTO LEVER | PALANCA TOMA DE FUERZA | |
| 22 | 524.48078 | WHEELS FIRST SPEED | BARRA I VELOCIDAD | |
| 23 | 552.48378 | PTO STOP RING | ANILLO CONTRASTE TDF | |
| 24 | 561.47581 | PTO CONTROL LEVER | PALANCA MANDO TOMA DE FUERZA | |
| 25 | 563.48056 | RING C-72 | ANILLO C-72 | |
| 26 | 563.48077 | WASHER 25 X 32 X 2 C-72 | ARANDELA 25 X 32 X 2 C-72 | |
| 27 | 564.47490 | WORM GEAR | TORNILLO SIN FIN | |
| 28 | 564.47524 | PTO SLIDER | CURSOR TOMA DE FUERZA | |
| 29 | 580.43086 | SHOE | PATIN | |
| 30 | 590.47528 | GEAR, REVERSER | ENGRANAJE INVERTIDOR | |
| 31 | 580.47579 | SPRING D6.2 X 15 | MUELLE D6.2 X 15 | |
| 32 | 590.47496 | GEAR | ENGRANAJE | |
| 33 | 590.47517 | PTO SHAFT | ARBOL TOMA DE FUERZA | |
| 34 | 590.47521 | PTO COUPLING | ATTAQUE TOMA DE FUERZA | |
| 35 | 590.48199 | DIFFERENTIAL | DIFERENCIAL | |

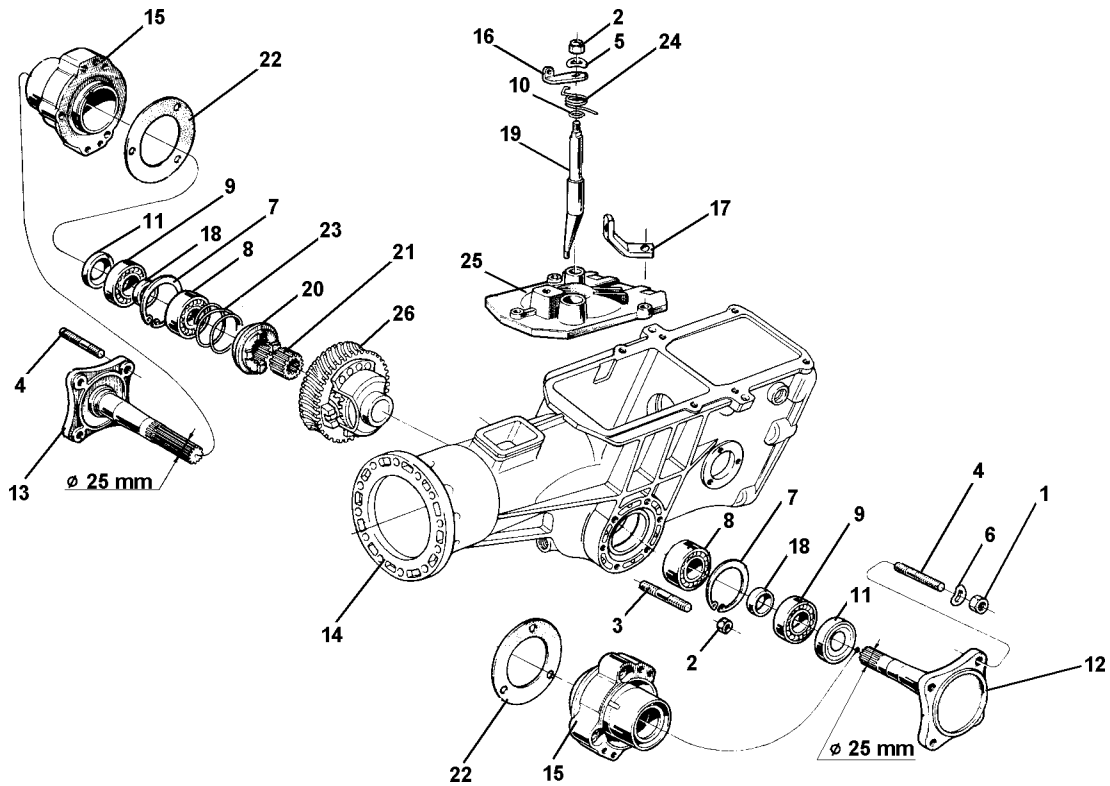
737

Differential

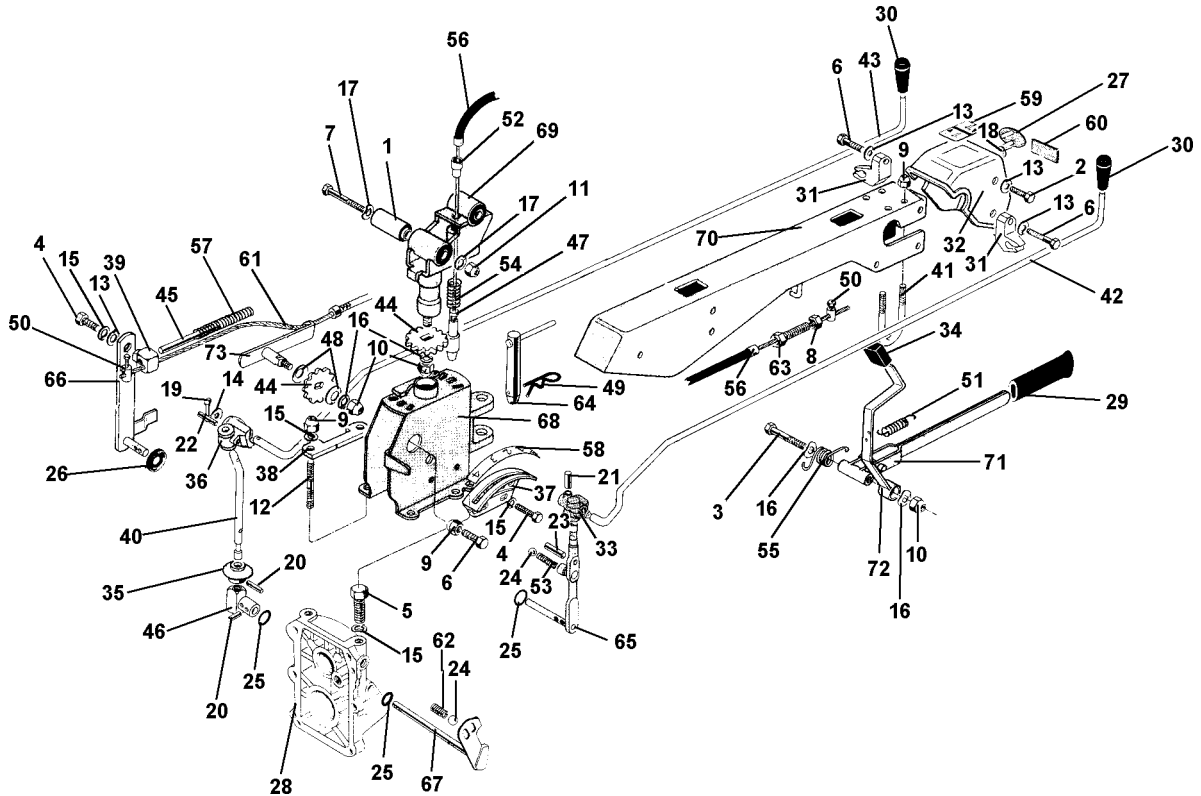
Serial Number Range
10000 - -----

08.00

REVISED 08/14/02



| ID | PARTNO | DESCRIPTION | DENOMINACION | NOTES |
|----|-----------|--------------------------------|----------------------------------|-------|
| 1 | 312.11100 | NUT M10 | TUERCA M10 | |
| 2 | 312.41080 | NUT, SELF LOCKING M8 | TUERCA AUTOBLOC. M8 | |
| 3 | 313.12080 | STUD M8 X 46 X 20 X 12 | PRISIONERO M8 X 46 X 20 X 12 | |
| 4 | 313.12102 | STUD M10 X 40 X 22 X 14 | PRISIONERO M10 X 40 X 22 X 14 | |
| 5 | 314.11084 | WASHER, FLAT 8.4 | ARANDELA PLANA 8.4 | |
| 6 | 314.23105 | WASHER, LOCK 10.5 | ARANDELA DE RES. 10.5 | |
| 7 | 351.11047 | CIRCLIP, INTERN. D 47 | SEEGER INT. D 47 | |
| 8 | 371.11255 | BEARING 25 X 52 X 15 6205 | COJINETE 25 X 52 X 15 6205 | |
| 9 | 371.11253 | BEARING 25 X 47 X 12 | COJINETE 25 X 47 X 12 | |
| 10 | 381.11400 | O-RING 2056 14.00 X 1.78 | OR 2056 14.00 X 1.78 | |
| 11 | 382.13002 | SEAL, OIL 30 X 40 X 7 STANDARD | CHAPA RET. AC. 30 X 40 X 7 NORM. | |
| 12 | 524.48187 | SHORT HALF AXLE | SEMIEJE | |
| 13 | 524.48188 | LONG HALF AXLE | SEMIEJE | |
| 14 | 531.49600 | GEARBOX 745/606-605 | CAJA MANDO 745/606-605 | |
| 15 | 532.43851 | HUB FOR HALF AXLE | CUBO | |
| 16 | 561.43880 | LEVER RELEASE | PALANCA DE DESENGANCHE | |
| 17 | 561.43883 | CONTRAST DIFFERENTIAL SHEATH | CONTRASTE VAINA DIFERENCIAL | |
| 18 | 561.48184 | HALF AXLE RING | ANILLO SEMIEJE | |
| 19 | 564.43871 | ROD | BARRA | |
| 20 | 564.48196 | FRONT COUPLING | ACOPLAMIENTO | |
| 21 | 564.48197 | TOOTHED SPACER | SEPARADOR DENTADO | |
| 22 | 580.43855 | JOINT GASKET | GUARNICION | |
| 23 | 580.43874 | SPRING | MUELLE | |
| 24 | 580.43881 | SPRING | MUELLE | |
| 25 | 590.43876 | COVER DIFFERENTIAL | TAPA DIFERENCIAL | |
| 26 | 590.48199 | DIFFERENTIAL 737 | DIFERENCIAL 737 | |



| ID | PARTNO | DESCRIPTION | DENOMINACION | NOTES |
|----|-----------|--------------------------------|----------------------------------|-------|
| 1 | 300.10120 | SILENTBLOCK | SILENTBLOC | |
| 2 | 311.11151 | SCREW M8 X 16 | TORNILLO M8 X 16 | |
| 3 | 311.11225 | SCREW TE M10 X 90 | TORNILLO TE M10 X 90 | |
| 4 | 311.12149 | SCREW M8 X 12 | TORNILLO M8 X 12 | |
| 5 | 311.12150 | SCREW M8 X 20 | TORNILLO M8 X 20 | |
| 6 | 311.12153 | SCREW M8 X 35 | TORNILLO M8 X 35 | |
| 7 | 311.12295 | SCREW TE M12 X 95 5739 8G | TORNILLO TE M12 X 95 UNI 5739 8G | |
| 8 | 312.11060 | NUT M6 | TUERCA M6 | |
| 9 | 312.41080 | NUT, SELF LOCKING M8 | TUERCA AUTOBLOC. M8 | |
| 10 | 312.41101 | NUT, SELF LOCKING M10 LOW | TUERCA AUTOBLOC. M10 BAJA | |
| 11 | 312.41121 | NUT, SELF LOCKING M12 LOW | TUERCA AUTOBLOC. M12 BAJA | |
| 12 | 313.12082 | STUD M8 X 38 X 14 X 20 | PRISIONERO M8 X 38 X 14 X 20 | |
| 13 | 314.11084 | WASHER, FLAT 8.4 | ARANDELA PLANA 8.4 | |
| 14 | 314.11104 | WASHER P10.5 X 18 | ARANDELA P10.5 X 18 | |
| 15 | 314.23084 | WASHER, LOCK 8.4 | ARANDELA DE RES. 8.4 | |
| 16 | 314.23105 | WASHER, LOCK 10.5 | ARANDELA DE RES. 10.5 | |
| 17 | 314.23130 | WASHER, LOCK 13 | ARANDELA DE RES. 13 | |
| 18 | 314.40004 | WASHER, LOCK FOR PINS | D-4 ARAND. ELAST. PARA PERNO D-4 | |
| 19 | 341.10028 | COTTER PIN | PASADOR A 3 X 15 UNI 1336 AC. | |
| 20 | 342.13020 | LOCKING PIN 4 X 20 SPIRAL | ESPINA DE RES. 4 X 20 ESPIRAL | |
| 21 | 342.13022 | PIN, LOCKING SW 3 X 22 SPIRAL | ESPINA DE RES. SW 3 X 22 ESPIRAL | |
| 22 | 342.13024 | LOCKING PIN 4 X 24 SPIRAL | ESPINA DE RES. 4 X 24 ESPIRAL | |
| 23 | 342.13025 | LOCKING PIN SPIRAL | ESPINA DE RES. ESPIRAL | |
| 24 | 379.11532 | BALL 15/32 RIV RB-11.906 | BOLA 15/32 RIV RB-11.906 | |
| 25 | 381.11191 | O-RING 115 11.91 X 2.62 | OR 115 11.91 X 2.62 | |
| 26 | 382.11201 | SEAL, OIL 12 X 19 X 5 STANDARD | CHAPA RET. AC. 12 X 19 X 5 NORM. | |
| 27 | 530.48656 | MARK OVAL | MARCA OVAL | |
| 28 | 531.47476 | REAR COVER | TAPA POSTERIOR | |
| 29 | 551.02714 | KNOB | MANILLA | |
| 30 | 551.42076 | KNOB | POMO | |
| 31 | 552.43340 | SUPPORT CONTROL ROD CUT | SOPORTE BARRA | |
| 32 | 552.47636 | STEERING COLUMN INSTRUM. PANEL | PANEL | |
| 33 | 552.47644 | GEARBOX ARTICULATION | MANGUETA CAJA DE CAMBIO | |
| 34 | 552.48072 | KNOB REDUCTION UNIT LEVER | POMO PALANCA REDUCTOR | |
| 35 | 552.48378 | P.T.O. STOP RING | ANILLO CONTRASTE T.D.F. | |

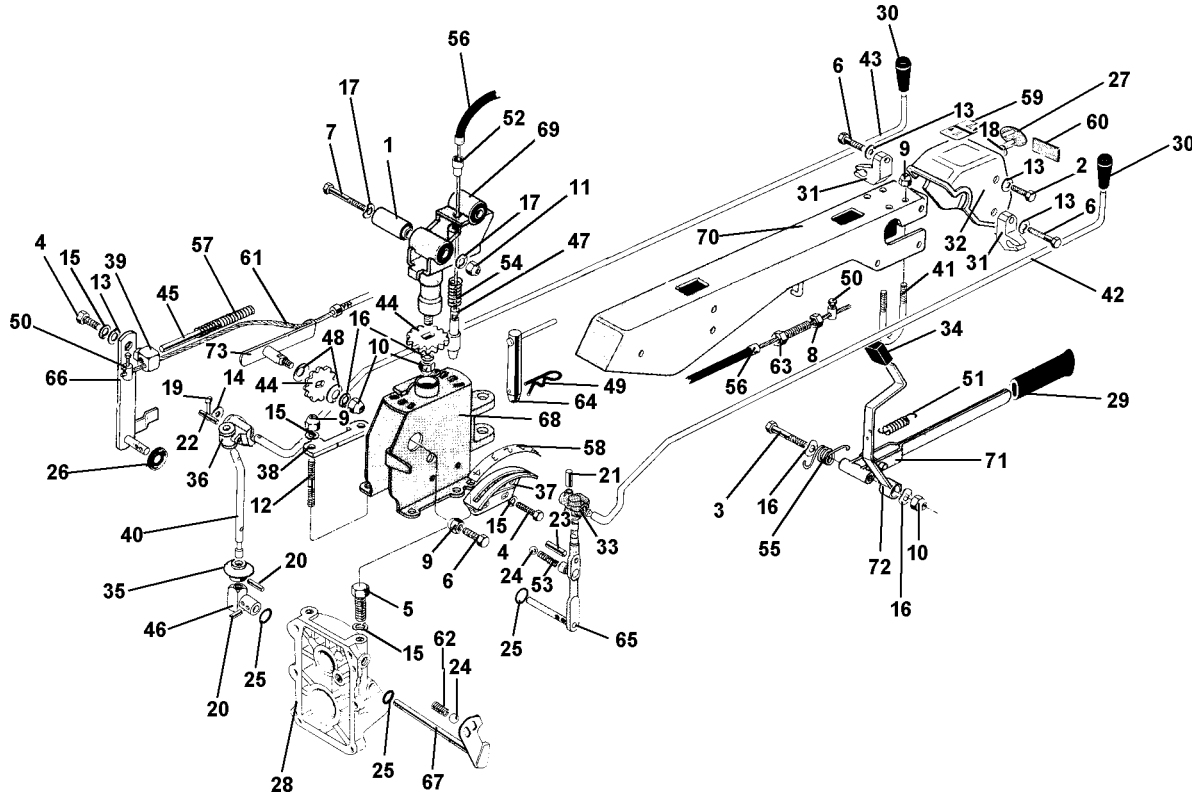
737

Steering Column

Serial Number Range
10000 - 14275

09.00

REVISED 08/14/02



| ID | PARTNO | DESCRIPTION | DENOMINACION | NOTES |
|----|-----------|--------------------------------|---------------------------------|-------|
| 36 | 552.48379 | P.T.O. ARTICULATION | MANGUETA TOMA DE FUERZA | |
| 37 | 561.47550 | GEARBOX SELECTOR | SELECTOR CAMBIO | |
| 38 | 561.47560 | REVERSE SPEED LEVER DOG | CONTRASTE PALANCA MARCHA ATRA | |
| 39 | 561.47574 | REVERSER BLOCK | CUBO INVERTIDOR | |
| 40 | 561.47581 | PTO CONTROL LEVER | PALANCA MANDO TOMA DE FUERZA | |
| 41 | 561.47641 | HANDLEBAR U-BOLT | PUENTE MANILLAR | |
| 42 | 561.47646 | GEARBOX CONTROL ROD | EJE CAJA DE CAMBIO | |
| 43 | 561.47648 | PTO CONTROL ROD | EJE MANDO TOMA DE FUERZA | |
| 44 | 561.47664 | REVERSE GEAR | ENGRANAJE INVERTIDOR | |
| 45 | 561.47672 | GUIDE PIN | PERNO GUIA | |
| 46 | 563.47578 | P.T.O. JOINT | JUNT TOMA DE FUERZA | |
| 47 | 564.47607 | STEERING COLUMN PIN | PERNO COLUMNA | |
| 48 | 571.48509 | PROTECTION END D 32 | TAPON PROTECCION D 32 | |
| 49 | 580.02052 | PIN | CLAVITA | |
| 50 | 580.02429 | CLAMP, CABLE | PASADOR | |
| 51 | 580.26321 | LEVER RETURN SPRING | MUELLE RETROCESO PALANCA | |
| 52 | 580.42167 | END, SHEATH | BULON CABLE EMBRAGUE | |
| 53 | 580.43176 | SPRING | MUELLE | |
| 54 | 580.47606 | STEERING COLUMN RELEASE SPRING | MUELLE DEBLOCAJE COLUMNA | |
| 55 | 580.47624 | HANDLEBAR RELEASE SPRING | MUELLE DEBLOCAJE MANILLAR | |
| 56 | 580.47628 | WIRE AND SHEATH L 90 | FILO Y VAINA L 90 | |
| 57 | 580.47671 | REVERSER SPRING | MUELLE INVERTIDOR | |
| 58 | 580.47728 | SPEED STICKER | AUTOADHESIVO MARCHAS | |
| 59 | 580.47729 | DECAL FOR STEERING COLUMN | AUTOADHESIVO COLUMNA | |
| 60 | 580.47737 | DECAL 737 | AUTOADHESIVO 737 | |
| 61 | 580.48297 | WIRE SHEATH L-1280 CLUTCH/BR. | ALAMBRE Y VAINA L 1280 EMBR/FR. | |
| 62 | 580.48369 | P.T.O. SPRING | MUELLE TOMA DE FUERZA | |
| 63 | 581.47704 | ADJUSTING SCREW | TORNILLO REGULACION | |
| 64 | 590.42768 | PIN | PERNO | |
| 65 | 590.47553 | GEARBOX LEVER | PALANCA CAMBIO | |
| 66 | 590.47570 | REVERSER LEVER | PALANCA INVERTIDOR | |
| 67 | 590.47575 | PTO PIN | PERNO TOMA DE FUERZA | |
| 68 | 590.47585 | STEERING COLUMN SUPPORT | SOPORTE PLANTON | |
| 69 | 590.47595 | STEERING COLUMN COUPLING | ATTAQUE COLUMNA | |
| 70 | 590.47610 | STEERING COLUMN | COLUMNA | |

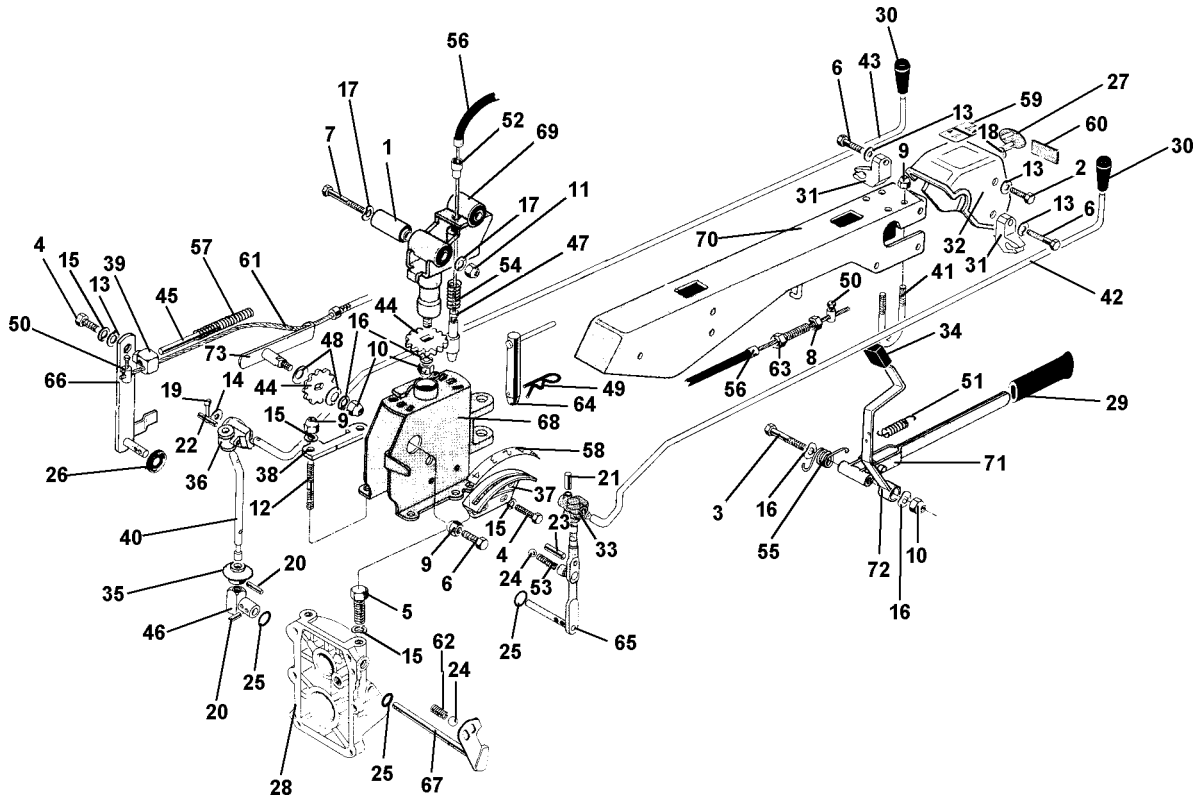
737

Steering Column

Serial Number Range
10000 - 14275

09.00

REVISED 08/14/02



| ID | PARTNO | DESCRIPTION | DENOMINACION | NOTES |
|----|-----------|-------------------------------|-----------------------------|-------|
| 71 | 590.47620 | HANDLEBAR RELEASE LEVER | PALANCA DEBLOCAJE MANILLAR | |
| 72 | 590.47625 | STEERING COLUMN LOCKING LEVER | PALANCA BLOCAJE COLUMNA | |
| 73 | 590.47666 | REVERSER POSITION LEVER | PALANCA POSICION INVERTIDOR | |

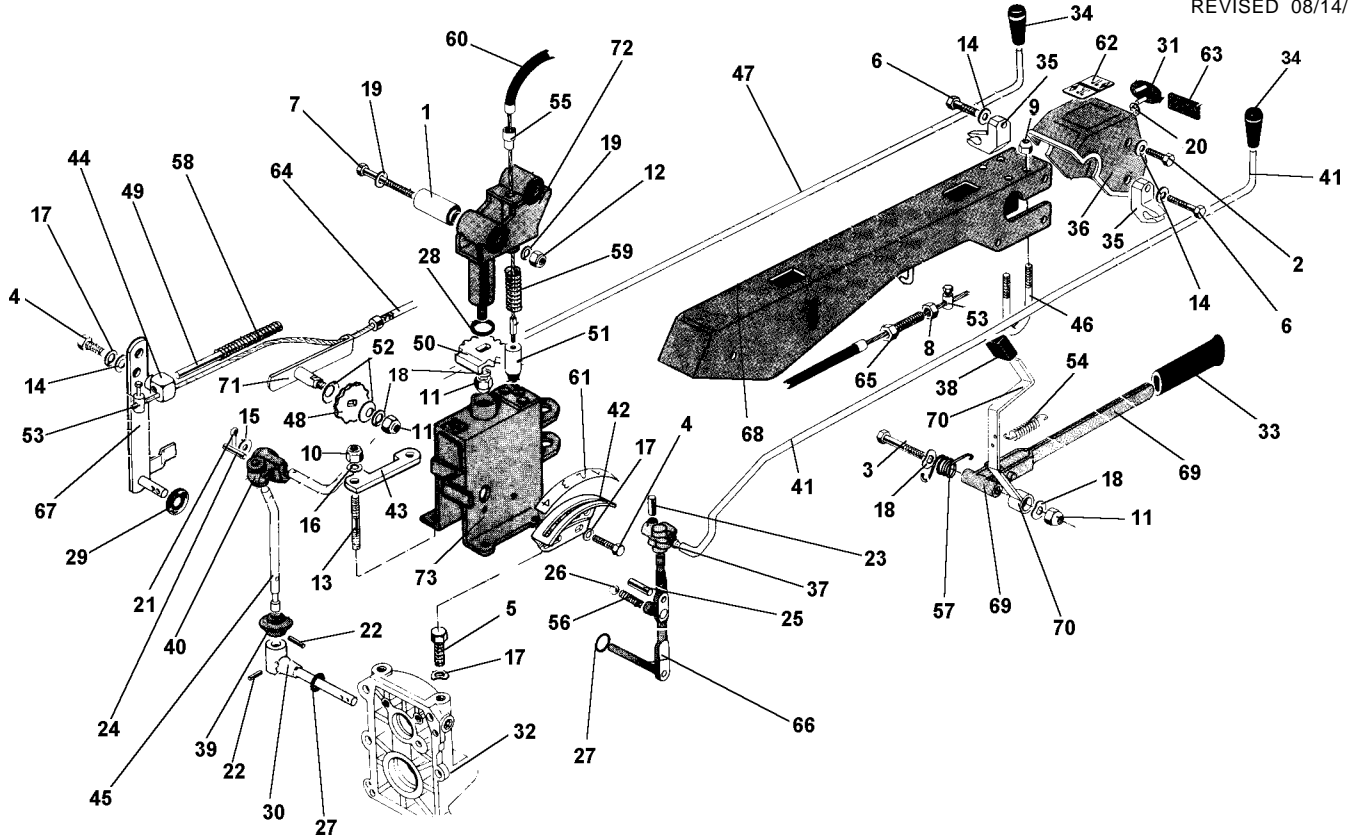
737

Steering Column

Serial Number Range
14276 - -----

09.01

REVISED 08/14/02



| ID | PARTNO | DESCRIPTION | DENOMINACION | NOTES |
|----|-----------|--------------------------------|----------------------------------|-------|
| 1 | 300.10120 | SILENTBLOCK | SILENTBLOC | |
| 2 | 311.11151 | SCREW M8 X 16 | TORNILLO M8 X 16 | |
| 3 | 311.11225 | SCREW TE M10 X 90 | TORNILLO TE M10 X 90 | |
| 4 | 311.12149 | SCREW M8 X 12 | TORNILLO M8 X 12 | |
| 5 | 311.12150 | SCREW M8 X 20 | TORNILLO M8 X 20 | |
| 6 | 311.12153 | SCREW M8 X 35 | TORNILLO M8 X 35 | |
| 7 | 311.12295 | SCREW TE M12 X 95 5739 8G | TORNILLO TE M12 X 95 UNI 5739 8G | |
| 8 | 312.11060 | NUT M6 | TUERCA M6 | |
| 9 | 312.41080 | NUT, SELF LOCKING M8 | TUERCA AUTOBLOC. M8 | |
| 10 | 312.41085 | NUT | TUERCA | |
| 11 | 312.41101 | NUT, SELF LOCKING M10 LOW | TUERCA AUTOBLOC. M10 BAJA | |
| 12 | 312.41121 | NUT, SELF LOCKING M12 LOW | TUERCA AUTOBLOC. M12 BAJA | |
| 13 | 313.12082 | STUD M8 X 38 X 14 X 20 | PRISIONERO M8 X 38 X 14 X 20 | |
| 14 | 314.11084 | WASHER, FLAT 8.4 | ARANDELA PLANA 8.4 | |
| 15 | 314.11104 | WASHER P10.5 X 18 | ARANDELA P10.5 X 18 | |
| 16 | 314.21083 | SUPER WASHER 8 DIN | SUPER ARANDELA 8 DIN | |
| 17 | 314.23084 | WASHER, LOCK 8.4 | ARANDELA DE RES. 8.4 | |
| 18 | 314.23105 | WASHER, LOCK 10.5 | ARANDELA DE RES. 10.5 | |
| 19 | 314.23130 | WASHER, LOCK 13 | ARANDELA DE RES. 13 | |
| 20 | 314.40004 | WASHER, LOCK FOR PINS | D-4 ARAND. ELAST. PARA PERNO D-4 | |
| 21 | 341.10028 | COTTER PIN | PASADOR A 3 X 15 UNI 1336 AC. | |
| 22 | 342.13020 | LOCKING PIN 4 X 20 SPIRAL | ESPINA DE RES. 4 X 20 ESPIRAL | |
| 23 | 342.13022 | PIN, LOCKING SW 3 X 22 SPIRAL | ESPINA DE RES. SW 3 X 22 ESPIRAL | |
| 24 | 342.13024 | LOCKING PIN 4 X 24 SPIRAL | ESPINA DE RES. 4 X 24 ESPIRAL | |
| 25 | 342.13025 | LOCKING PIN SPIRAL | ESPINA DE RES. ESPIRAL | |
| 26 | 379.11532 | BALL 15/32 RIV RB-11.906 | BOLA 15/32 RIV RB-11.906 | |
| 27 | 381.11191 | O-RING 115 11.91 X 2.62 | OR 115 11.91 X 2.62 | |
| 28 | 381.12817 | O-RING 4112 28.17 X 3.53 | OR 4112 28.17 X 3.53 | |
| 29 | 382.11201 | SEAL, OIL 12 X 19 X 5 STANDARD | CHAPA RET. AC. 12 X 19 X 5 NORM. | |
| 30 | 523.47532 | PTO CONTROL PIN D=25 | PERNO MANDO TDF D=25 | |
| 31 | 530.48656 | MARK OVAL | MARCA OVAL | |
| 32 | 531.47477 | REAR COVER, 25MM PTO SHAFT | TAPA POSTERIOR | |
| 33 | 551.02714 | KNOB | MANILLA | |
| 34 | 551.42076 | KNOB | POMO | |
| 35 | 552.43340 | SUPPORT CONTROL ROD CUT | SOPORTE BARRA | |

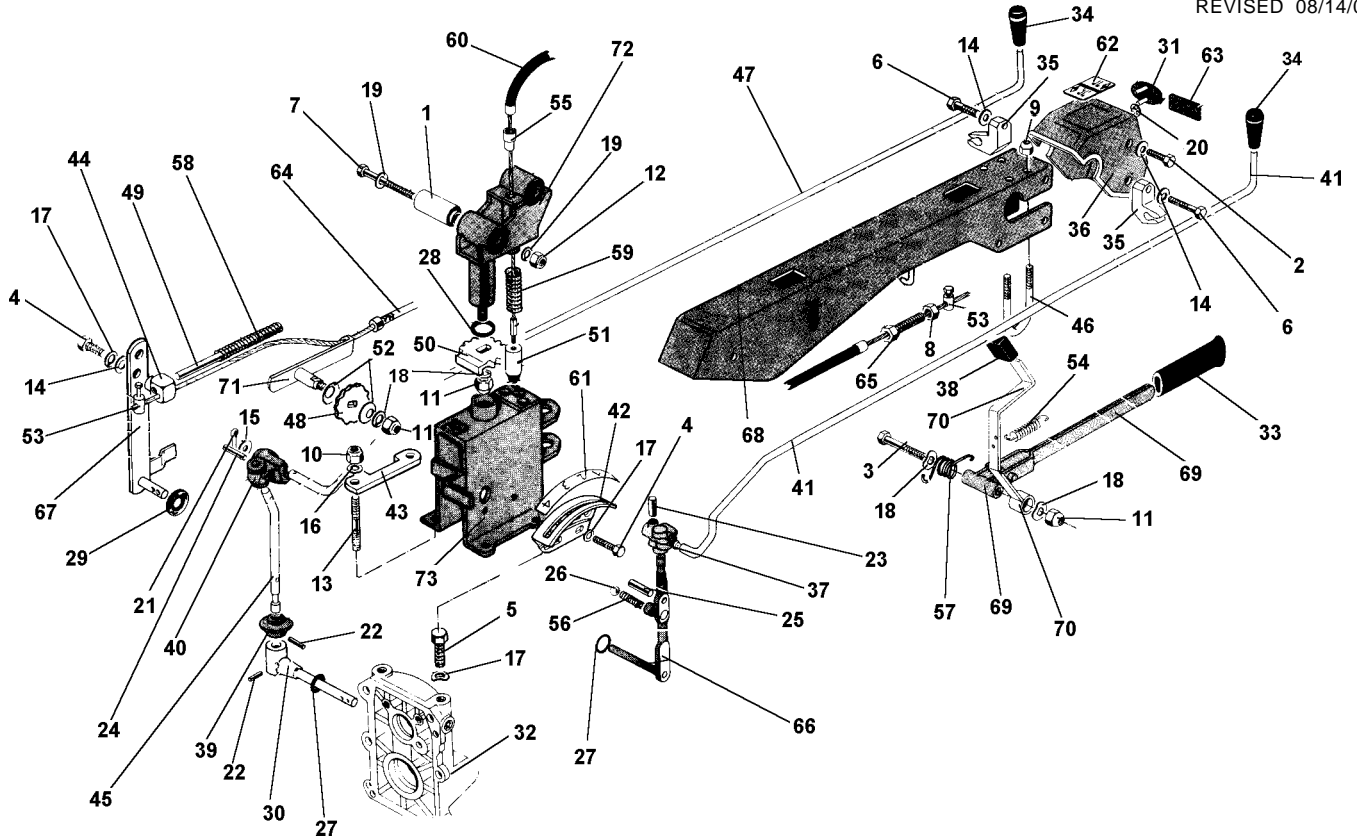
737

Steering Column

Serial Number Range
14276 - -----

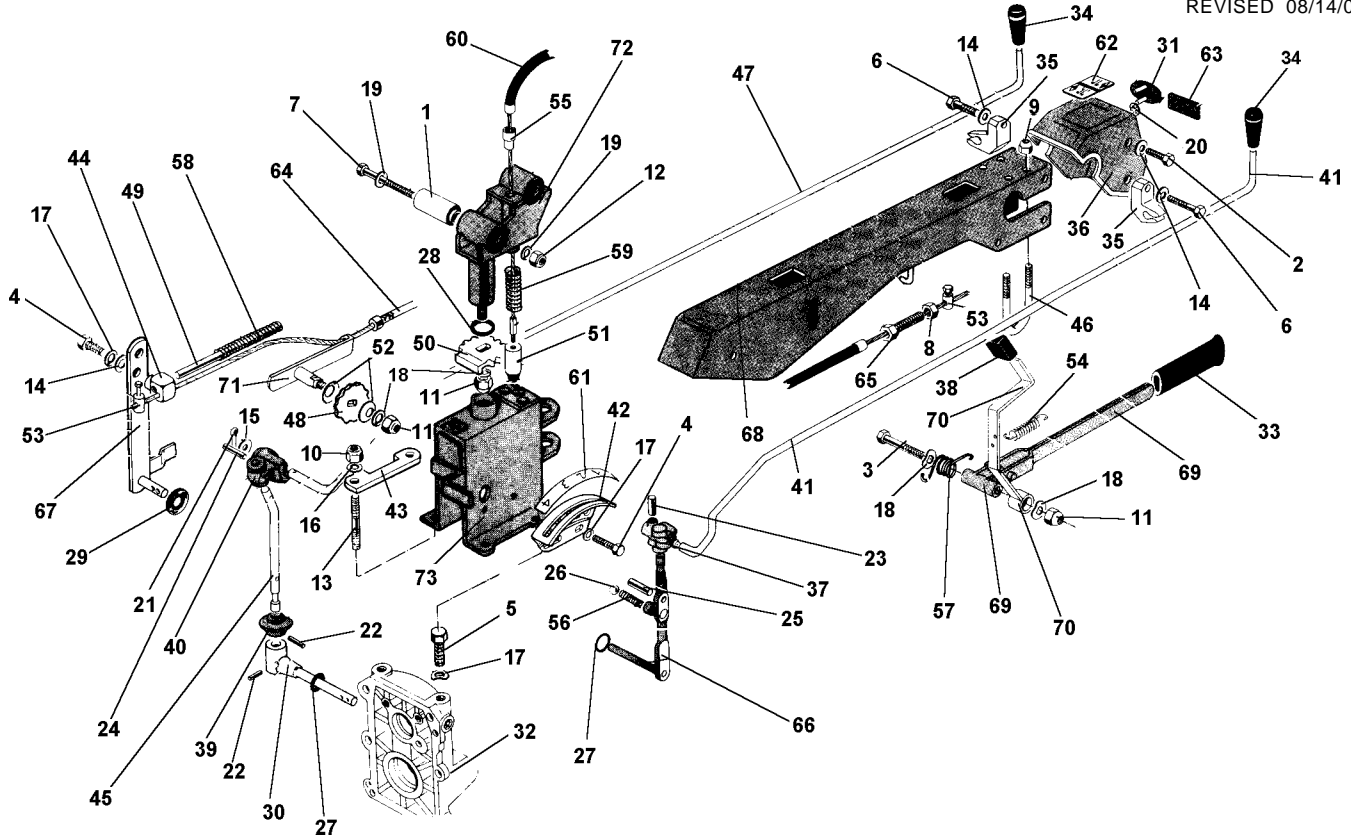
09.01

REVISED 08/14/02

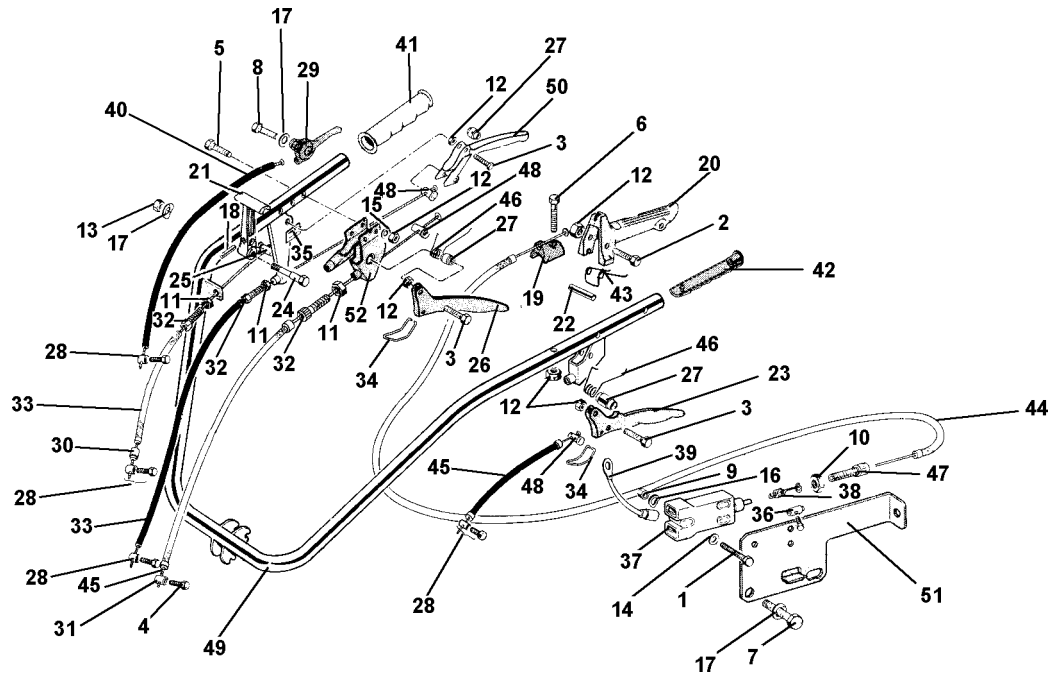


| ID | PARTNO | DESCRIPTION | DENOMINACION | NOTES |
|----|-----------|--------------------------------|-------------------------------|-------|
| 36 | 552.47636 | STEERING COLUMN INSTRUM. PANEL | PANEL | |
| 37 | 552.47644 | GEARBOX ARTICULATION | MANGUETA CAJA DE CAMBIO | |
| 38 | 552.48072 | KNOB REDUCTION UNIT LEVER | POMO PALANCA REDUCTOR | |
| 39 | 552.48378 | P.T.O. STOP RING | ANILLO CONTRASTE T.D.F. | |
| 40 | 552.48379 | P.T.O. ARTICULATION | MANGUETA TOMA DE FUERZA | |
| 41 | 561.42076 | GEARBOX CONTROL ROD | EJE CAJA DE CAMBIO | |
| 42 | 561.47550 | GEARBOX SELECTOR | SELECTOR CAMBIO | |
| 43 | 561.47560 | REVERSE SPEED LEVER DOG | CONTRASTE PALANCA MARCHA ATRA | |
| 44 | 561.47574 | REVERSER BLOCK | CUBO INVERTIDOR | |
| 45 | 561.47581 | PTO CONTROL LEVER | PALANCA MANDO TOMA DE FUERZA | |
| 46 | 561.47641 | HANDLEBAR U-BOLT | PUENTE MANILLAR | |
| 47 | 561.47648 | PTO CONTROL ROD | EJE MANDO TOMA DE FUERZA | |
| 48 | 561.47664 | REVERSE GEAR | ENGRANAJE INVERTIDOR | |
| 49 | 561.47672 | GUIDE PIN | PERNO GUIA | |
| 50 | 561.47703 | BENDED REVERSER GEAR | ENGRANAJE | |
| 51 | 563.47700 | PUSH ROD D=8 | PUNTAL D=8 | |
| 52 | 571.48509 | PROTECTION END D 32 | TAPON PROTECCION D 32 | |
| 53 | 580.02429 | CLAMP, CABLE | PASADOR | |
| 54 | 580.26321 | LEVER RETURN SPRING | MUELLE RETROCESO PALANCA | |
| 55 | 580.42167 | END, CABLE | BULON CABLE EMBRAGUE | |
| 56 | 580.43176 | SPRING | MUELLE | |
| 57 | 580.47624 | HANDLEBAR RELEASE SPRING | MUELLE DEBLOCAJE MANILLAR | |
| 58 | 580.47671 | REVERSER SPRING | MUELLE INVERTIDOR | |
| 59 | 580.47701 | PUSH ROD SPRING | MUELLE PUNTAL | |
| 60 | 580.47702 | STEERING COLUMN CABLE | CABLE PLANTON | |
| 61 | 580.47728 | SPEED STICKER | AUTOADHESIVO MARCHAS | |
| 62 | 580.47729 | DECAL FOR STEERING COLUMN | AUTOADHESIVO COLUMNA | |
| 63 | 580.47737 | DECAL 737 | AUTOADHESIVO 737 | |
| 64 | 580.48301 | CABLE, REVERSER | CABLE INVERTIDOR | |
| 65 | 581.47704 | ADJUSTING SCREW | TORNILLO REGULACION | |
| 66 | 590.47553 | GEARBOX LEVER | PALANCA CAMBIO | |
| 67 | 590.47570 | REVERSER LEVER | PALANCA INVERTIDOR | |
| 68 | 590.47610 | STEERING COLUMN | COLUMNA | |
| 69 | 590.47620 | HANDLEBAR RELEASE LEVER | PALANCA DEBLOCAJE MANILLAR | |
| 70 | 590.47625 | STEERING COLUMN LOCKING LEVER | PALANCA BLOCAJE COLUMNA | |

REVISED 08/14/02



| ID | PARTNO | DESCRIPTION | DENOMINACION | NOTES |
|----|-----------|--------------------------|-----------------------------|-------|
| 71 | 590.47666 | REVERSER POSITION LEVER | PALANCA POSICION INVERTIDOR | |
| 72 | 590.47688 | STEERING COLUMN COUPLING | ATTAQUE MANILLAR | |
| 73 | 590.47690 | STEERING COLUMN SUPPORT | SOPORTE MANILLAR | |



| ID | PARTNO | DESCRIPTION | DENOMINACION | NOTES |
|----|-----------|----------------------------|-----------------------------|-------|
| 1 | 311.11086 | SCREW TE M4 X 25 | TORNILLO TE M4 X 25 | |
| 2 | 311.11097 | SCREW TE M6 X 45 | TORNILLO TE M6 X 45 | |
| 3 | 311.12089 | SCREW M6 X 25 | TORNILLO M6 X 25 | |
| 4 | 311.12090 | SCREW TE M6 X 16 | TORNILLO TE M6 X 16 | |
| 5 | 311.12091 | SCREW M6 X 40 | TORNILLO M6 X 40 | |
| 6 | 311.12092 | SCREW M6 X 35 | TORNILLO M6 X 35 | |
| 7 | 311.12149 | SCREW M8 X 12 | TORNILLO M8 X 12 | |
| 8 | 311.12154 | SCREW TE M8 X 40 | TORNILLO TE M8 X 40 | |
| 9 | 312.11040 | NUT M4 | TUERCA M4 | |
| 10 | 312.11060 | NUT M6 | TUERCA M6 | |
| 11 | 312.11080 | NUT M8 | TUERCA M8 | |
| 12 | 312.41060 | NUT, SELF LOCKING M6 | TUERCA AUTOBLOC. M6 | |
| 13 | 312.41080 | NUT, SELF LOCKING M8 | TUERCA AUTOBLOC. M8 | |
| 14 | 314.11043 | FLAT WASHER 4.3 | ARANDELA PLANA 4.3 | |
| 15 | 314.22064 | WASHER, LOCK 6.4 | ARANDELA DE RES. 6.4 | |
| 16 | 314.23043 | LOCK WASHER B 4.3 | ARANDELA DE RES. B 4.3 | |
| 17 | 314.23084 | WASHER, LOCK 8.4 | ARANDELA DE RES. 8.4 | |
| 18 | 342.11040 | PIN, LOCKING 4 X 20 | ESPINA DE RES. 4 X 20 | |
| 19 | 552.48038 | SHEATH STOP OF MOTOR STOP | FUNDA VAINA MOTOR STOP | |
| 20 | 552.48041 | MOTOR STOP LEVER | PALANCA MOTOR STOP | |
| 21 | 552.48284 | LEVER DIFFERENTIAL LOCKING | PALANCA BLOCAJE | |
| 22 | 561.48037 | LEVER STOP FOR MOTOR STOP | FIJACION PALANCA MOTOR STOP | |
| 23 | 561.48040 | CLUTCH LEVER | PALANCA | |
| 24 | 561.48285 | PIN | PERNO | |
| 25 | 561.48286 | DRILLED PIN | PERNO FORADO | |
| 26 | 561.48470 | LEVER | PALANCA | |
| 27 | 561.50361 | LEVER SPACER | SEPARADOR PALANCA | |
| 28 | 580.02429 | CLAMP, CABLE | PASADOR | |
| 29 | 580.02538 | LEVER, ACCELERATOR | PALANCA MANDO GAS | |
| 30 | 580.42167 | END, SHEATH | BULON CABLE EMBRAGUE | |
| 31 | 580.42200 | PIN, CABLE CLAMP | PERNO ABRAZADERA CABLE | |
| 32 | 580.42202 | SCREW, ADJUSTING M8 | TORNILLO REGULACION M8 | |
| 33 | 580.43216 | CABLE & SHEATH, CLUTCH | CABLE Y VAINA | |
| 34 | 580.47649 | HOOK | ENGANCHE | |
| 35 | 580.47738 | REVERSER DECAL | AUTOADHESIVO INVERTIDOR | |

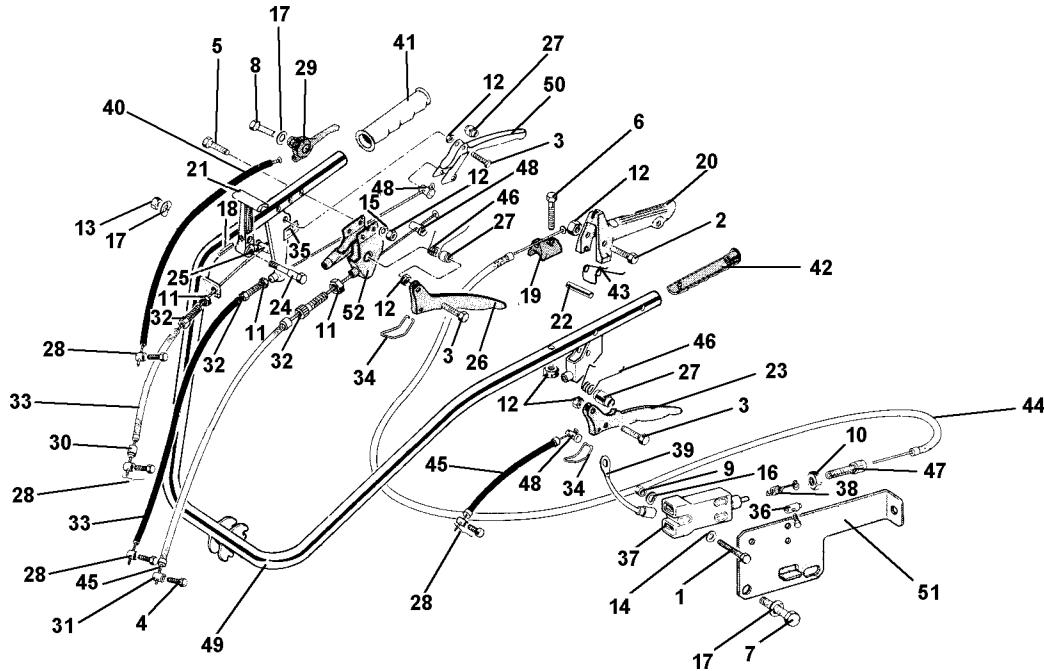
737

Handlebar

Serial Number Range
10000 - 17801

10.00

REVISED 08/14/02



| ID | PARTNO | DESCRIPTION | DENOMINACION | NOTES |
|----|-----------|------------------------------|-------------------------------|-------|
| 36 | 580.48002 | CABLE CLAMP | PASADOR | |
| 37 | 580.48009 | STOP SWITCH | INTERRUPTOR STOP | |
| 38 | 580.48010 | SWITCH SPRING | MUELLE PARA INTERRUPTOR | |
| 39 | 580.48011 | SWITCH CABLES | CABLES INTERRUPTOR | |
| 40 | 580.48012 | WIRE, SHEATH 1850 GAS | ALAMBRE Y VAINA 1850 GAS | |
| 41 | 580.48014 | GRIP | MANIVELA | |
| 42 | 580.48016 | FIXED BODY | CUERPO FIJO | |
| 43 | 580.48039 | MOTOR STOP LEVER SPRING | MUELLE PALANCA MOTOR STOP | |
| 44 | 580.49505 | SHEATH CABLE | CABLE VAINA | |
| 45 | 580.49663 | SHEATH CABLE | CABLE VAINA | |
| 46 | 580.40345 | LEVER SPRING | MUELLE PALANCA | |
| 47 | 581.47704 | ADJUSTING SCREW | TORNILLO REGULACION | |
| 48 | 581.50313 | BARREL | PASADOR | |
| 49 | 590.47650 | HANDLEBAR | MANUBRIO | |
| 50 | 590.47654 | REVERSE SPEED LEVER | PALANCA MANDO TOMA DE FUERZA | |
| 51 | 590.48003 | SUPPORT FOR ACME STOP SWITCH | SOPORTE INTERRUPTOR STOP ACME | |
| 52 | 590.48469 | COUPLING FOR DOUBLE LEVER | ATAQUE PARA PALANCA DOBLE | |

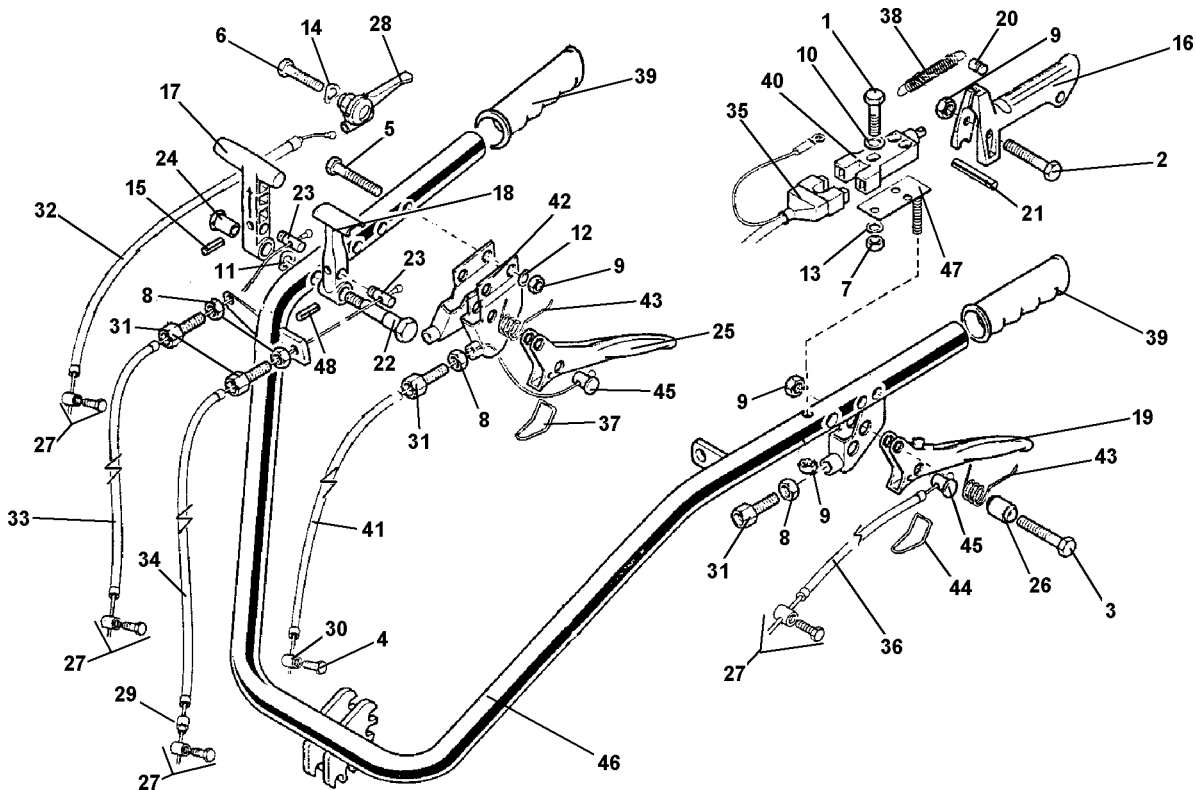
737

Handlebar

Serial Number Range 17802 - -----

10.01

REVISED 08/14/02



| ID | PARTNO | DESCRIPTION | DENOMINACION | NOTES |
|----|-----------|----------------------------|------------------------------|-------|
| 1 | 311.11086 | SCREW, M4X25 | TORNILLO TE M4X25 | |
| 2 | 311.11097 | SCREW, M6X45 | TORNILLO TE M6X45 | |
| 3 | 311.12089 | SCREW, M6X25 | TORNILLO M6X25 | |
| 4 | 311.12090 | SCREW, M6X16 | TORNILLO TE M6X16 | |
| 5 | 311.12091 | SCREW, M6X40 | TORNILLO M6X35 | |
| 6 | 311.12154 | SCREW, M8X40 | TORNILLO M8X35 | |
| 7 | 312.11040 | NUT, M4 | TUERCA M4 | |
| 8 | 312.11080 | NUT, M8 | TUERCA M8 | |
| 9 | 312.41060 | NUT, SELF LOCKING, M6 | TERCA AUTOBLOC. M6 | |
| 10 | 314.11043 | FLAT WASHER, M4.3 | ARANDELA PLANA 4,3 | |
| 11 | 314.11084 | WASHER | ARANDELA | |
| 12 | 314.22064 | WASHER, LOCK, M6.4 | ARANDELA DE RES. 6,4 | |
| 13 | 314.23043 | LOCK WASHER, M4.3 | ARAND. DE RES. B 4,3 | |
| 14 | 314.23084 | WASHER, LOCK, M8.4 | ARANDELA DE RES. 8,4 | |
| 15 | 342.13020 | PIN, LOCKING, M4X20 | ESPIÑA DE RES. M4X20 | |
| 16 | 552.48041 | MOTOR STOP LEVER | PALANCA MOTOR STOP | |
| 17 | 552.48283 | REVERSER LEVER | PALANCA MANDO TOMA DE FUERZA | |
| 18 | 552.48284 | LEVER DIFFERENTIAL LOCKING | PALANCA BLOCAJE | |
| 19 | 561.47655 | CLUTCH LEVER | PALANCA | |
| 20 | 561.47711 | SPRING PIN | ESPIÑA | |
| 21 | 561.48037 | LEVER STOP FOR MOTOR STOP | FIJACION PALANCA MOTOR STOP | |
| 22 | 561.48285 | SCREW | PERNO | |
| 23 | 561.48286 | DRILLED PIN | PERNO FORADO | |
| 24 | 561.48287 | DRILLED PIN | PERNO FORADO | |
| 25 | 561.48470 | LEVER | PALANCA | |
| 26 | 561.50361 | LEVER SPACER | SEPARADOR PALANCAS | |
| 27 | 580.02429 | CLAMP, CABLE | PASADOR | |
| 28 | 580.02538 | LEVER, ACCELERATOR | PALANCA MANDO GAS | |
| 29 | 580.42167 | CABLE END | PASADOR | |
| 30 | 580.42200 | PIN, CABLE CLAMP | PERNO ABRAZADERA CABLE | |
| 31 | 580.42202 | SCREW, ADJUSTING M8 | TORNILLO REG. M8 | |
| 32 | 580.48012 | THROTTLE CABLE, | ALAMBRE Y VAINA | |
| 33 | 580.43216 | CABLE, REVERSE | CABLE | |
| 34 | 580.43223 | CABLE, DIFFERENTIAL | CABLE | |
| 35 | 580.47568 | SWITCH WIRING HARNESS | CABLES INTERRUPTOR | |

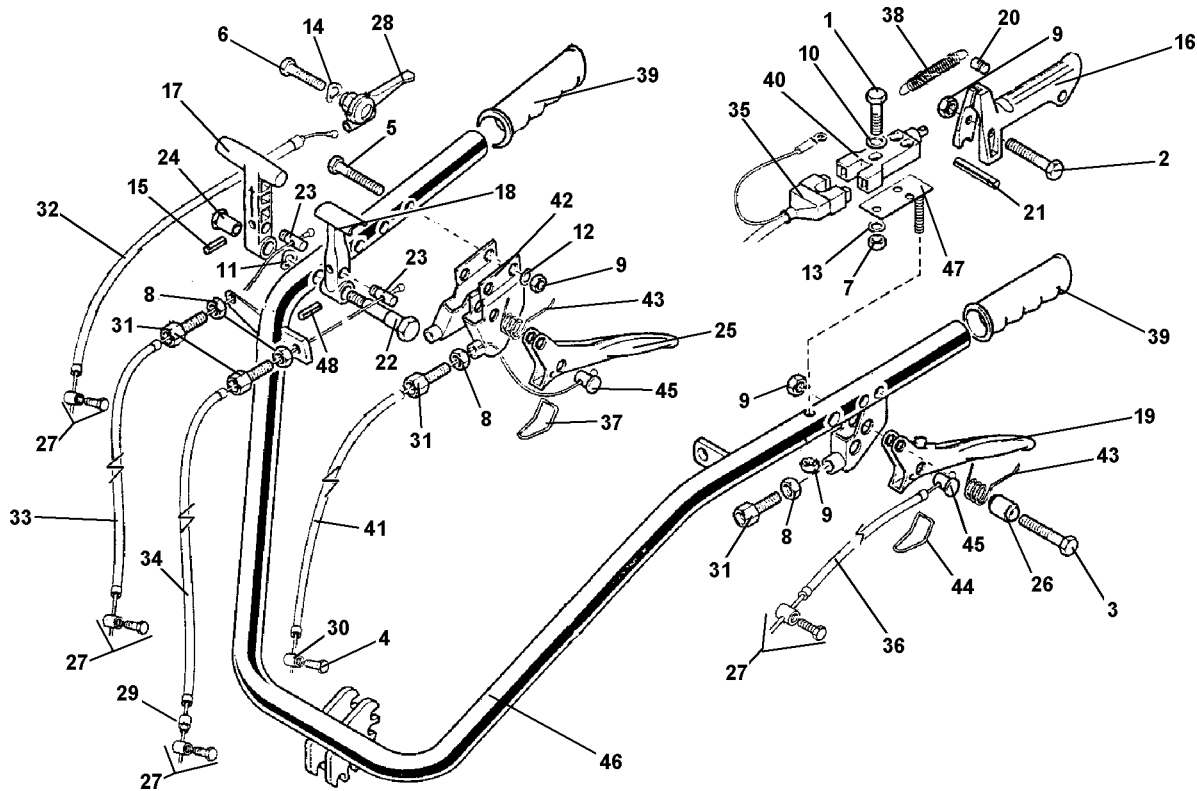
737

Handlebar

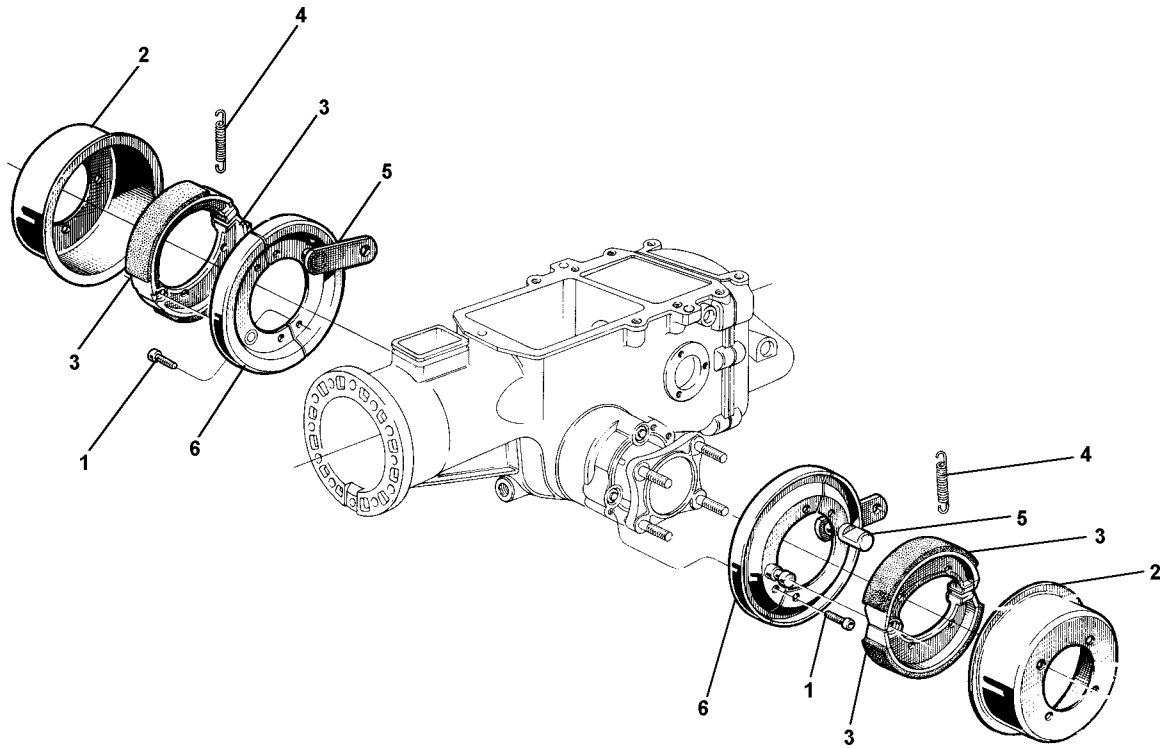
Serial Number Range
17802 - -----

10.01

REVISED 08/14/02



| ID | PARTNO | DESCRIPTION | DENOMINACION | NOTES |
|----|-----------|---------------------------|----------------------------|-------|
| 36 | 580.47654 | CLUTCH CABLE | CABLE VAINA | |
| 37 | 580.47649 | HOOK | ENGANCHE | |
| 38 | 580.47712 | SPRING | MUELLE | |
| 39 | 580.48000 | GRIP | MANIVELA | |
| 40 | 580.48009 | STOP SWITCH | INTERRUPTOR STOP | |
| 41 | 580.49663 | CABLE, BRAKE | CABLE | |
| 42 | 590.48469 | COUPLING FOR DOUBLE LEVER | ATTAQUE PARA PALANCA DOBLE | |
| 43 | 580.50345 | LEVER SPRING | PALANCA | |
| 44 | 580.51670 | HOOK | ENGANCHE | |
| 45 | 581.50313 | BARREL | PASADOR | |
| 46 | 590.47650 | HANDLE ASSEMBLY | MANUBRIO | |
| 47 | 590.47709 | SWITCH PLATE | SOPORTE INTERRUPTOR STOP | |
| 48 | 342.11040 | PIN, LOCK 4X20 | | |



| ID | PARTNO | DESCRIPTION | DENOMINACION | NOTES |
|----|-----------|---------------------|------------------------|-------|
| 1 | 311.52085 | SCREW TE CE M8 X 25 | TORNILLO TE CE M8 X 25 | |
| 2 | 561.48218 | BRAKE DRUM | TAMBOR FRENO | |
| 3 | 580.48214 | SHOE | ZAPATA | |
| 4 | 580.48215 | SPRING | MUELLE PARTE FRENOS | |
| 5 | 590.48200 | SEMIDISC LEVER | PALANCA SEMIDISCO | |
| 6 | 590.48208 | PIN HALF-DISC | PERNO SEMIDISCO | |

737

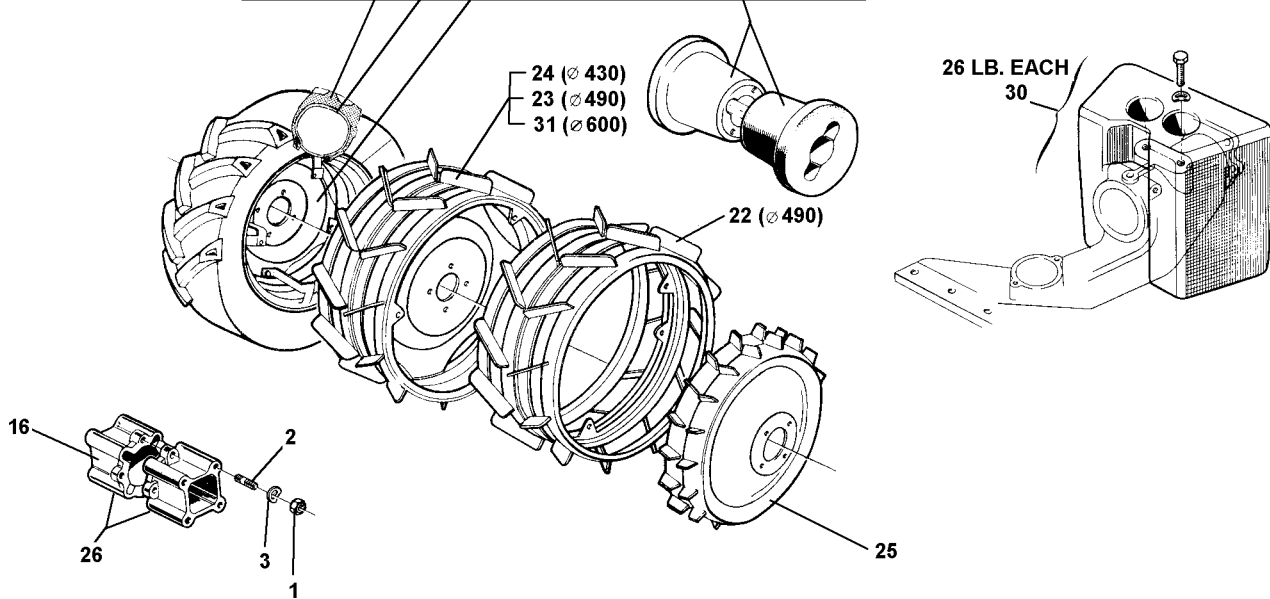
Wheels

Serial Number Range 10000 - -----

12.00

REVISED 08/14/02

| | | | | | |
|------------|---|----|----|-------|---------------------|
| 4.00-8" | 4 | 10 | 19 | | 27 48 LB. PER PAIR |
| 4.0-10" | 5 | 11 | 21 | | 28 66 LB. PER PAIR |
| 5.0-10" | 6 | 12 | 21 | | 28 66 LB. PER PAIR |
| 5.00-12" | 7 | 13 | 17 | | 28 66 LB. PER PAIR |
| 5.00-12" | 7 | 13 | 20 | (715) | 29 150 LB. PER PAIR |
| 6.5/80-12" | 8 | 14 | 20 | | 29 150 LB. PER PAIR |
| 6.5/80-15" | 9 | 15 | 18 | | 29 150 LB. PER PAIR |



| ID | PARTNO | DESCRIPTION | DENOMINACION | NOTES |
|----|-----------|--------------------------------------|-----------------------------------|-------|
| 1 | 312.11100 | NUT M10 | TUERCA M10 | |
| 2 | 313.12102 | STUD M10 X 40 X 22 X 14 | PRISIONERO M10 X 40 X 22 X 14 | |
| 3 | 314.23105 | WASHER, LOCK 10.5 | ARANDELA DE RES. 10.5 | |
| 4 | 391.14008 | TIRE TRACTOR 4.00 X 8 | CUBIERTA DE NEUMATICO 4.00 X 8 | |
| 5 | 391.14010 | TIRE TRACTOR 4.0 - 10 | CUBIERTA TM 4.0 - 10 | |
| 6 | 391.15010 | TIRE 5.0 X 10 | CUBIERTA 5.0X 10 | |
| 7 | 391.15012 | TIRE 5.00 - 12 | CUBIERTA NEUMATICO 5.00 - 12 | |
| 8 | 391.16018 | TIRE 6.5/80 - 12 | CUBIERTA NEUMATICO 6.5/80 - 12 | |
| 9 | 391.16020 | TIRE TRACTOR 6.5/80 X 15 | CUBIERTA NEUMATICO 6.5/80 X 15 | |
| 10 | 394.14008 | TUBE 4.00 X 8 | CAMARA 4.00 X 8 | |
| 11 | 394.14010 | TUBE 4.0 - 10 | CAMARA DE AIRE 4.0 - 10 | |
| 12 | 394.15010 | TUBE 5.0 - 10 | CAMARA DE AIRE 5.0 - 10 | |
| 13 | 394.15012 | TUBE 5.00 - 12 | CAMARA DE AIRE 5.00 - 12 | |
| 14 | 394.16018 | TUBE 6.5/80 X 12 | CAMARA DE AIRE 6.5/80 X 12 | |
| 15 | 394.16020 | TUBE 6.5/80 X 15 | CAMARA DE AIRE 6.5/80 X 12 | |
| 16 | 531.43712 | WHEEL SPACER | SEPARADOR RUEDA | |
| 17 | 580.42132 | RIM, 12 OFFSET COUPLING | LLANTA 12 CON ACCOPLAMIENTO | |
| 18 | 580.42746 | RIM 5 J 15 INCH ADJ. TRACK | LLANTA 5 J 15 | |
| 19 | 580.43250 | WHEEL, DISK, 2.50 - 8 | RUEDA EN DISCO 2.50 - 8 | |
| 20 | 580.44804 | RIM 5JA - 12 INCH. ADJ. TRACK | LLANTA 5JA - 12" | |
| 21 | 580.48330 | RIM 3.50 D 10 (INCH) C.VAR.COM. | LLANTA 3.50 D 10" | |
| 22 | 922.42460 | RINGS, 19" CAGE WHEELS (PR) | ANILLOS, 19" METAL RUEDAS (PR) | |
| 23 | 922.42474 | WHEELS, STEEL CAGE, 19" (PR) | RUEDAS, EN DISCO METAL, 19" (PR) | |
| 24 | 922.43682 | WHEELS, STEEL CAGE, 17" (PR) | RUEDAS, EN DISCO METAL, 17" (PR) | |
| 25 | 922.43683 | NARROW NURSERY WHEELS (PR) | RUEDAS, ANGOSTO METAL (PR) | |
| 26 | 922.43685 | WHEEL SPACERS, 2.5" (PR) | SEPARADOR RUEDA, 2.5" (PR) | |
| 27 | 922.43686 | WEIGHTS FOR 4.00 X 8, (48#)(PR) | PESAS POR 4.00 X 8, (48#)(PR) | |
| 28 | 922.48715 | WEIGHTS FOR 10"/12", (66#)(PR) | PESAS POR 10"/12", (66#)(PR) | |
| 29 | 922.48720 | WEIGHTS, 6 X 12/6.5 X 15, (150#)(PR) | PESAS, 6 X 12/6.5 X 15 (150#)(PR) | |
| 30 | 922.48923 | WEIGHT FOR CUTTER BAR, (EA) | PESA POR BARRA DE CORTE | |
| 31 | 922.49994 | WHEELS, STEEL CAGE, 24" (PR) | RUEDAS, EN DISCO METAL, 24" (PR) | |