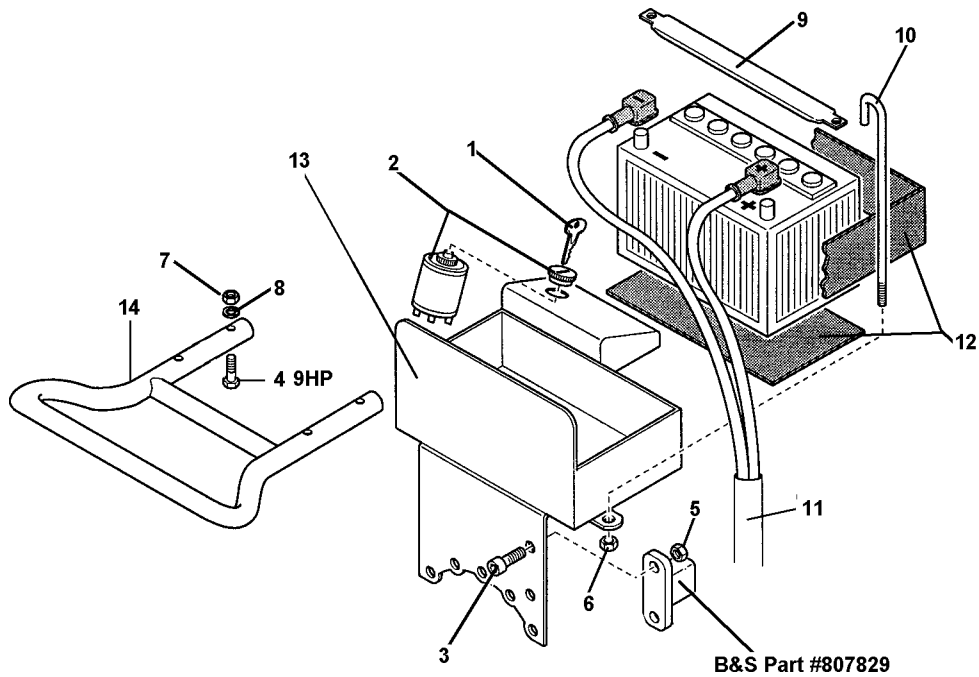




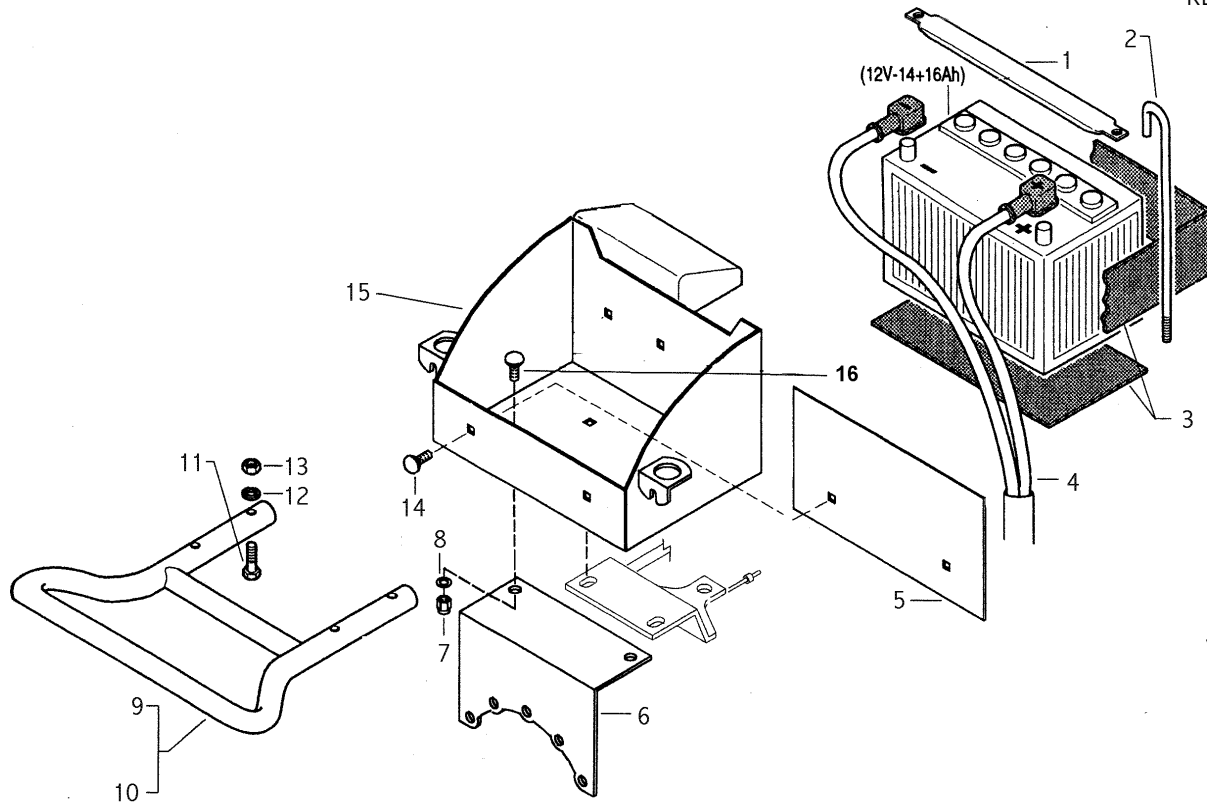
---

A M E R I C A

---



ID	PARTNO	DESCRIPTION	DENOMINACION	NOTES
1	300.00276	KEY	LLAVE	
2	300.00277	SWITCH	INTERRUPTOR	
3	311.11090	SCREW TE M6X10	TORNILLO TE M6X10	
4	311.12158	SCREW M8X70	TORNILLO M8X70	
5	312.11060	NUT M6	TUERCA M6	
6	312.41060	NUT, SELF LOCKING M6	TUERCA AUTOBLOC. M6	
7	312.41080	NUT, SELF LOCKING M8	TUERCA AUTOBLOC. M8	
8	314.11084	FLAT WASHER 8.4	AUANDELA PLANA 8.4	
9	561.19937	BATTERY BRACKET	SOPORTE PARA BATERIA	
10	561.49590	BATTERY TIEROD	TIRANTE PARA BATERIA	
11	580.57383	ELECTRIC START CABLES 9HP	CABLEADO ARRANQUE ELECT.	
12	580.57381	BATTERY PADS	CAUCHO ANTI-COLPES	
13	590.56078	BUMPER, 9HP B&S VANGAURD		
14	590.57375	BATTERY SUPPORT, 5HP & 8H	SOPORTE BATERIA	
	12N16-3B	BATTERY		



ID	PARTNO	DESCRIPTION	DENOMINACION	NOTES
1	561.19937	BATTERY BRACKET	SOPORTE PARA BATERIA	
2	561.57387	BATTERY TIEROD	TIRANTE PARA BATERIA	
3	580.57397	BATTERY PADS	CAUCHO ANTI-COLPES	
4	580.47460	ELECTRIC START CABLES	CABLEADO ARRANQUE ELECT.	
5	561.57398	PLATE		
6	561.57393	PLATE		
7	312.41060	NUT		
8	314.11064	WASHER		
9	590.56053	BUMPER , INTEK ENGINES	PROTECTION POLEA	
10	590.56053	BUMBER, KOHLER CS PRO 8.5, 12 HP	PROTECTION POLEA	
11	311.12156	SCREW M8X60	TORNILLO M8X60	
12	314.11084	FLAT WASHER 8.4	AUANDELA PLANA 8.4	
13	312.41080	NUT, SELF LOCKING M8	TUERCA AUTOBLOC. M8	
14	311.21558	BOLT		
15	590.57390	BATTERY SUPPORT KOHLER CS PRO	SOPORTE BATERIA	
16	31121558	BOLT		

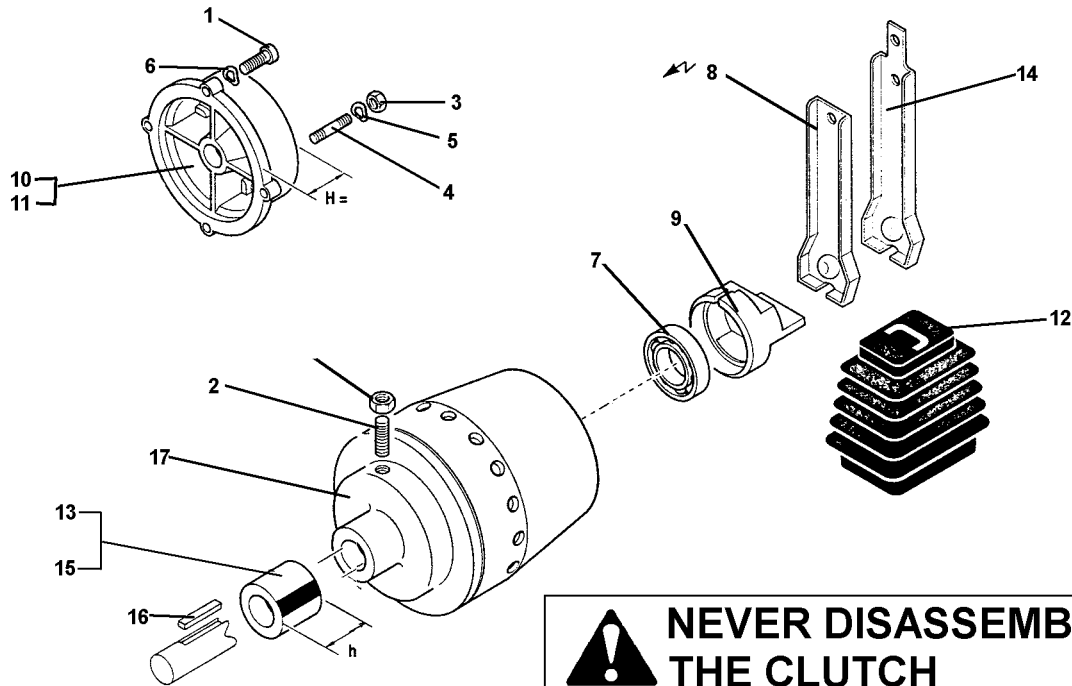
# 730

# Clutch

Serial Number Range  
100000 - 102478

# 02.00

REVISED 03/05/02



**⚠ NEVER DISASSEMBLE THE CLUTCH**

ID	PARTNO	DESCRIPTION	DENOMINACION	NOTES
1	311.00015	SCREW 3/8X1"	TORNILLO 3/8X1"	
2	311.00786	SCREW M8X30	TORNILLO M8X30	
3	312.11080	NUT, M8	TUERCA, M8	
4	313.12088	STUD, M8X40X14X14	PRISIONERO, M8X40X14X14	
5	314.23084	WASHER, WAVE	ARANDELA	
6	314.23105	WASHER, WAVE	ARANDELA	
7	371.12173	BEARING, M17X40X12	COJINETE, M17X40X12	
8	509.47833	CLUTCH LEVER, ELECTRIC START	PALANCA	
9	524.47896	CONE PUSHER	EMPUJADOR CONO	
10	531.49806	FLANGE, 52MM WIDE	BRIDA PARA MOTOR, 52MM	
11	531.49819	FLANGE, 46MM WIDE	BRIDA PARA MOTOR, 46MM	
12	551.47842	BOOT	FUELLE	
13	561.47824	SPACER, 5MM WIDE	SEPARADOR, 5MM	
14	561.47845	LEVER, RECOIL START	PALANCA EMBRAGUE	
15	561.47848	SPACER, 11MM WIDE	SEPARADOR, 11MM	
16	563.49782	KEY	LINGUETA	
17	592.47907	CLUTCH, 7HP & 8HP	EMBRAGUE A CONICO, 7HP & 8HP	

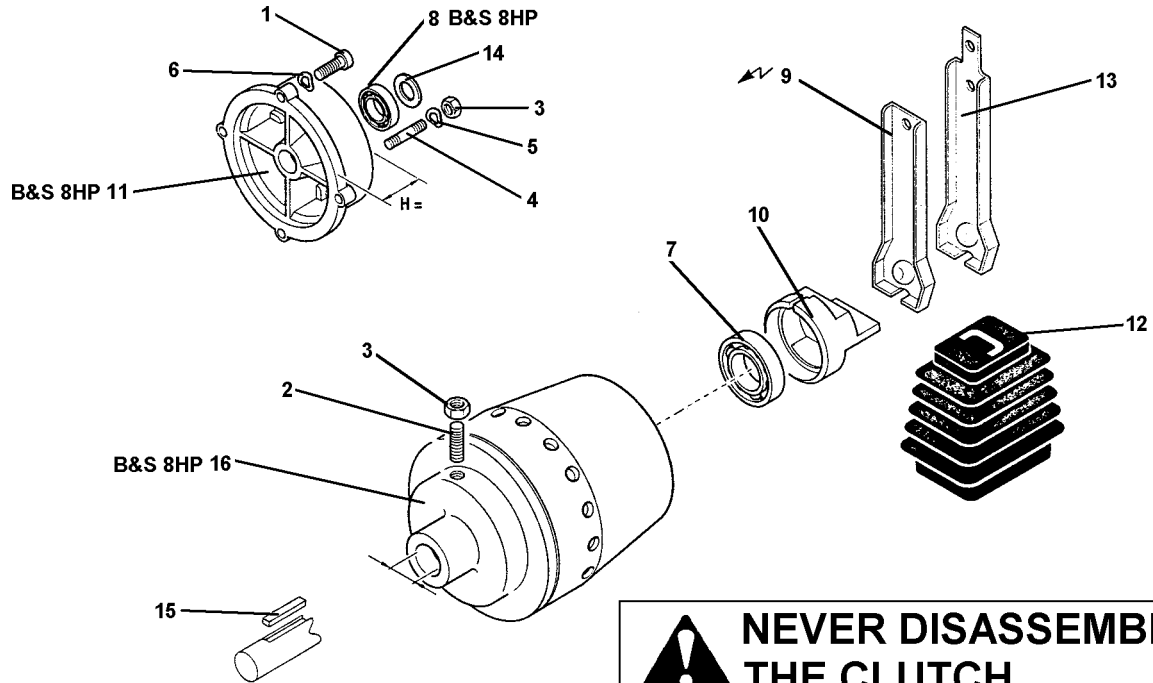
# 730

# Clutch

Serial Number Range  
102479 - 124663

# 02.01

REVISED 03/05/02



ID	PART NO	DESCRIPTION	DENOMINACION	NOTES
1	311.00015	SCREW 3/8X1"	TORNILLO 3/8X1"	
2	311.00786	SCREW M8X30	TORNILLO M8X30	
3	312.11080	NUT, M8	TUERCA, M8	
4	313.12088	STUD, M8X40X14X14	PRISIONERO, M8X40X14X14	
5	314.23084	WASHER, WAVE	ARANDELA	
6	314.23105	WASHER, WAVE	ARANDELA	
7	371.12173	BEARING, M17X40X12	COJINETE, M17X40X12	
8	371.12233	BEARING, 30X55X13	COJINETE 30X55X13	
9	509.47833	CLUTCH LEVER, ELECTRIC STA	PALANCA	
10	524.47896	CONE PUSHER	EMPUJADOR CONO	
11	531.56150	FLANGE, 8HP & 9HP B&S	BRIDA PARA MOTOR, 8HP & 9HP B&S	
12	551.47842	BOOT	FUELLE	
13	561.47845	LEVER, RECOIL START	PALANCA EMBRAGUE	
14	563.47484	WASHER	ARANDELA	
15	563.49782	KEY	LINGUETA	
16	592.56253	CLUTCH, 8HP & 9HP B&S	EMBRAGUE A CONICO, 8HP & 9HP B&S	

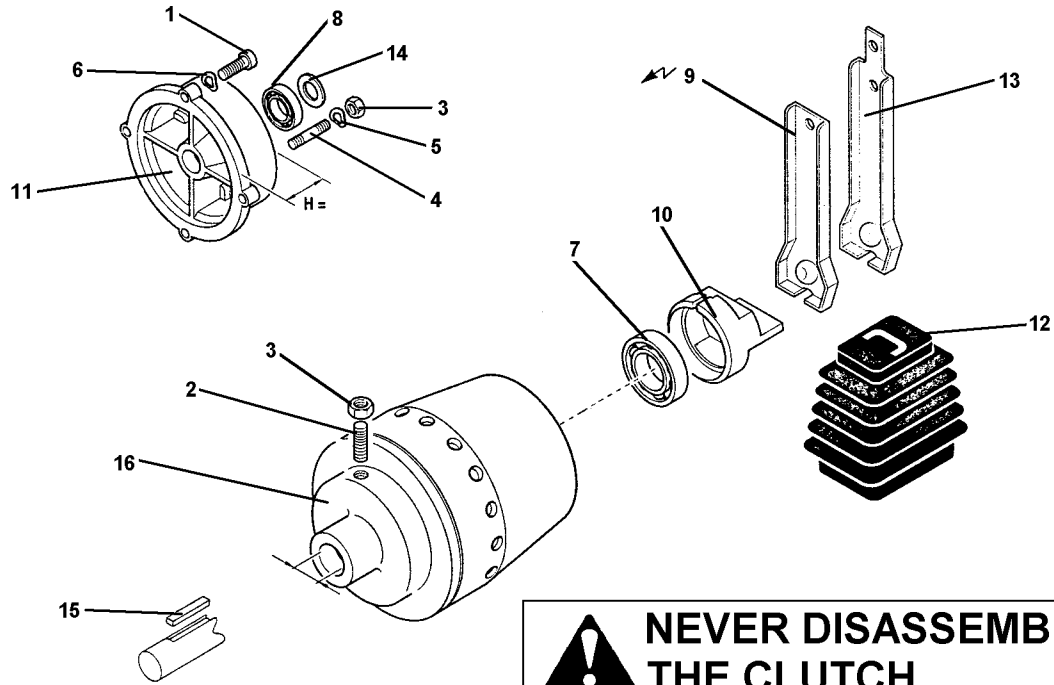
# 730

## Clutch KOHLER CS PRO 8.5/12 HP

### Serial Number Range 124664 - -----

# 02.02

REVISED 03/05/02



↙ = Electric Start Components

ID	PARTNO	DESCRIPTION	DENOMINACION	NOTES
1	311.00015	SCREW 3/8X1"	TORNILLO 3/8X1"	
2	311.00786	SCREW M8X30	TORNILLO M8X30	
3	312.11080	NUT, M8	TUERCA, M8	
4	313.12088	STUD, M8X40X14X14	PRISIONERO, M8X40X14X14	
5	314.23084	WASHER, WAVE	ARANDELA	
6	314.23105	WASHER, WAVE	ARANDELA	
7	371.12173	BEARING, M17X40X12	COJINETE, M17X40X12	
8	371.12233	BEARING, 30X55X13	COJINETE 30X55X13	
9	509.56262	CLUTCH LEVER, ELECTRIC STA	PALANCA	
10	524.47896	CONE PUSHER	EMPUJADOR CONO	
11	531.56150	FLANGE	BRIDA PARA MOTOR	
12	551.47842	BOOT, RECOIL START	FUELLE	
12	551.57609	BOOT, ELECTRIC START	FUELLE	
13	561.47845	LEVER, RECOIL START	PALANCA EMBRAGUE	
14	563.47484	WASHER	ARANDELA	
15	563.49782	KEY	LINGUETA	
16	592.56253	CLUTCH, 8.5HP KOHLER CS PRO	EMBRAGUE A CONICO,	
16	592.56257	CLUTCH, 12HP KOHLER CS PRO	EMBRAGUE A CONICO	

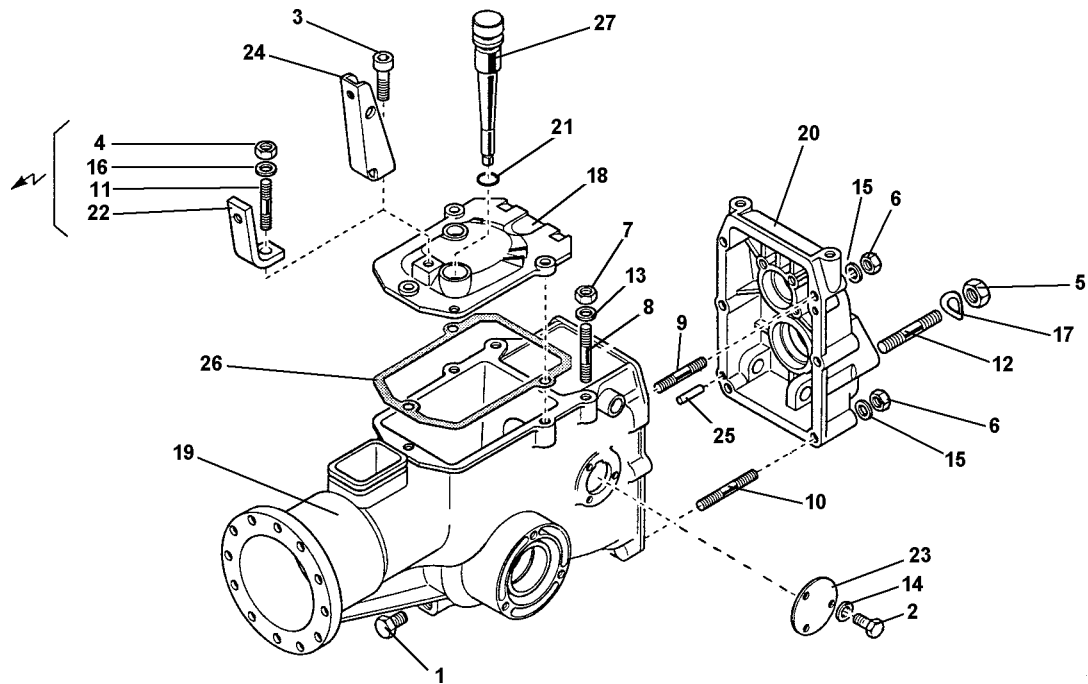
# 730

## Gear Box

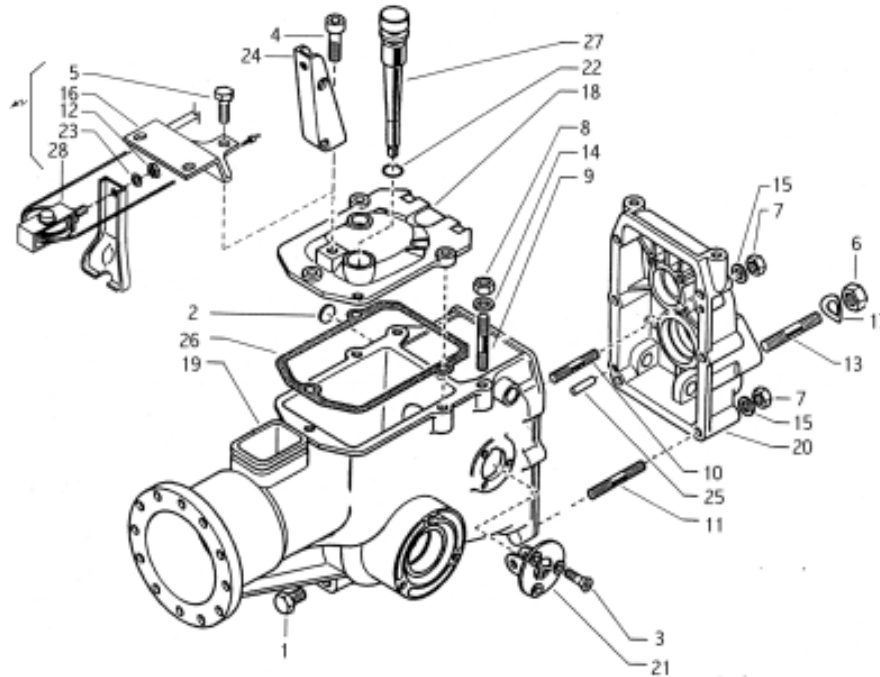
Serial Number Range  
100000 - 124663

# 03.00

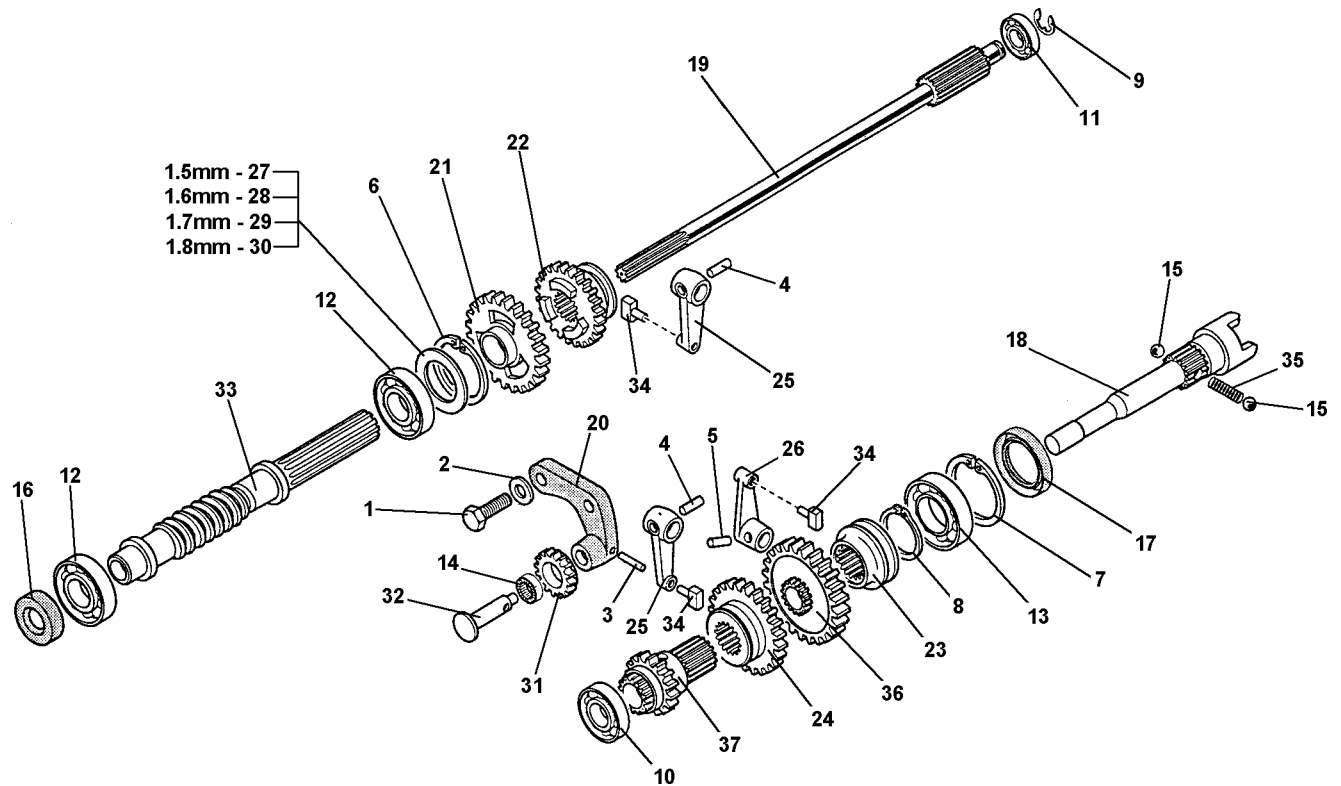
REVISED 03/05/02



ID	PARTNO	DESCRIPTION	DENOMINACION	NOTES
1	300.40001	PLUG	TAPON	
2	311.11090	SCREW M6X10	TORNILLO TE M6X10	
3	311.52103	SCREW M10X25	TORNILLO M10X25	
4	312.11100	NUT, M10	TUERCA, M10	
5	312.21121	NUT, M12X1.25	TUERCA M12X1.25	
6	312.41080	NUT, SELF LOCKING M8	TUERCA AUTOBLOC. M8	
7	312.41085	NUT	TUERCA	
8	313.12082	STUD M8X38X14X20	PRISIONERO M8X38X14X20	
9	313.12084	STUD M8X58X16X16	PRISIONERO M8X58X16X16	
10	313.12094	STUD M8X68	PRISIONERO M8X68	
11	313.12101	STUD M10X37	PRISIONERO M10X37	
12	313.12125	STUD M12X1.25X12X64	PRISIONERO M12X1.25X12X52	
13	314.21083	SUPER WASHER 8	SUPER ARANDELA 8	
14	314.22064	WASHER, LOCK 6.4	ARANDELA DE RES. 6.4	
15	314.23084	WASHER, LOCK 8.4	ARANDELA DE RES. 8.4	
16	314.23105	WAHSER M10.4	ARANDELA M10.4	
17	314.23130	WASHER, LOCK, M13	ARANDELA DE RES. M13	
18	531.43128	GEARBOX COVER	TAPA CAJA MANDO	
19	531.56325	GEAR BOX CASE	CAJA MANDO	
20	531.56332	REAR COVER	TAPA POSTERIOR	
21	551.02678	"O" RING	ANILLO GOMA	
22	561.43878	CLUTCH BRACKET	SOPORTE CONTRASTE	
23	561.47520	SIDE COVER	TAPA LATERAL	
24	561.47923	CLUTCH BRACKET	SOPORTE CONTRASTE	
25	580.43053	PARALLEL PIN	ESPINA CIL.	
26	580.43117	GASKET, COVER	GUARNICION TAPA	
27	590.15425	CAP WITH DIP STICK	VARILLA NIVEL ACEITE CON TAPON	



ID	PARTNO	DESCRIPTION	DENOMINACION	NOTES
1	300.40001	PLUG	TAPON	
2	300.40133	COVER	TAPA	
3	311.32562	SCREW, COUNTER SUNK, M6X16	TORNILLO ,6X10	
4	311.52103	SCREW M10X25	TORNILLO M10X25	
5	311.12210	BOLT		
6	312.21121	NUT, M12X1.25	TUERCA M12X1.25	
7	312.41080	NUT, SELF LOCKING M8	TUERCA AUTOBLOC. M8	
8	312.41085	NUT	TUERCA	
9	313.12082	STUD M8X38X14X20	PRISIONERO M8X38X14X20	
10	313.12084	STUD M8X58X16X16	PRISIONERO M8X58X16X16	
11	313.12094	STUD M8X68	PRISIONERO M8X68	
12	312.41080	NUT		
13	313.12125	STUD M12X1.25X12X64	PRISIONERO M12X1.25X12X64	
14	314.21083	SUPER WASHER 8	SUPER ARANDELA 8	
15	314.23084	WASHER, LOCK 8.4	ARANDELA DE RES. 8.4	
16	561.57394	PLATE		
17	314.23130	WASHER, LOCK, M13	ARANDELA DE RES. M13	
18	531.43128	GEARBOX COVER	TAPA CAJA MANDO	
19	531.56325	GEAR BOX CASE	CAJA MANDO	
20	531.56332	REAR COVER	TAPA POSTERIOR	
21	531.56343	REVERSER GEAR COVER, 710	TAPA INVERTIDOR	
22	551.02678	"O" RING	ANILLO GOMA	
23	314.21083	WASHER		
24	561.47923	CLUTCH BRACKET	SOPORTE CONTRASTE	
25	580.43053	PARALLEL PIN	ESPINA CIL.	
26	580.43117	GASKET, COVER	GUARNICION TAPA	
27	590.15425	CAP WITH DIP STICK	VARILLA NIVEL ACEITE CON TAPON	
28	590.56258	PULLEY ASSEMBLY		



ID	PARTNO	DESCRIPTION	DENOMINACION	NOTES
1	311.12211	SCREW, M10X30	TORNILLO M10X30	
2	314.21101	SUPER WASHER 10	SUPER ARANDELA 10	
3	342.13042	LOCKING PIN, 4X25	ESP. DE RES. 4X25	
4	342.13060	LOCKING PIN, 6X24	ESP. DE RES. 6X24	
5	342.13061	LOCKING PIN, 6X20 SPIRAL	ESP. DE RES. 6X20 ESPIRAL	
6	351.11052	CIRCLIP, INTERNAL	SEEGER, INT.	
7	351.11055	CIRCLIP, INTERNAL	SEEGER, INT.	
8	351.21031	CIRCLIP, EXTERNAL	SEEGER, EXT.	
9	352.11120	RETAINING RING	SEEGER	
10	371.11151	BEARING, 15X35X11	CONJINETE, 15X35X11	
11	371.11152	BEARING, 15X42X13	CONJINETE, 15X42X13	
12	371.11255	BEARING, 25X52X15	CONJINETE, 25X52X15	
13	371.12229	BEARING, 30X55X13	CONJINETE 30X55X13	
14	373.20120	BEARING, 12X15X10	CONJINETE 12X15X10	
15	379.10832	BALL, 1/4"	BOLA 1/4"	
16	382.11501	OIL SEAL, 15X40X10	CHAPA RET. ACEITE 15X40X10	
17	382.13800	OIL SEAL, 38X55X7	CHAPA RET. ACEITE 38X55X7	
18	524.56335	PTO SHAFT	ARBOL TDF	
19	524.56339	MAIN SHAFT	ARBOL EMBRAGUE PARA INVERT.	
20	524.56344	REVERSE BRACKET	PALANCA INVERTIDOR	
21	524.56354	FIRST GEAR	BARRA I VELOCIDAD	
22	524.56358	SLIDER GEAR	PINON DESPLAZABLE	
23	524.56362	PTO SLIDER	PINON DESPLAZABLE TDF	
24	524.56370	SLIDER, REVERSE	PINON DESPLAZABLE INVERTIDOR	
25	524.56389	LEVER, SLIDER	PALANCA INVERTIDOR	
26	524.56390	LEVER, PTO ENGAGEMENT	PALANCA TDF	
27	563.56328	SHIM, 1.5MM	ANILLO 1.5MM	
28	563.56329	SHIM, 1.6MM	ANILLO 1.6MM	
29	563.56330	SHIM 1.7MM	ANILLO 1.7	
30	563.56331	SHIM 1.8MM	ANILLO 1.8MM	
31	564.56347	REVERSE GEAR	ENGRANAJE INVERTIDOR	
32	564.56351	PIN, REVERSE GEAR	PERNO ENGRANAJE TDF	
33	564.56475	WORM GEAR	TORNILLO SIN FIN	
34	580.43086	SHOE	PATIN	
35	580.56391	SPRING, PTO BALLS	RESORTE BOLA TDF	

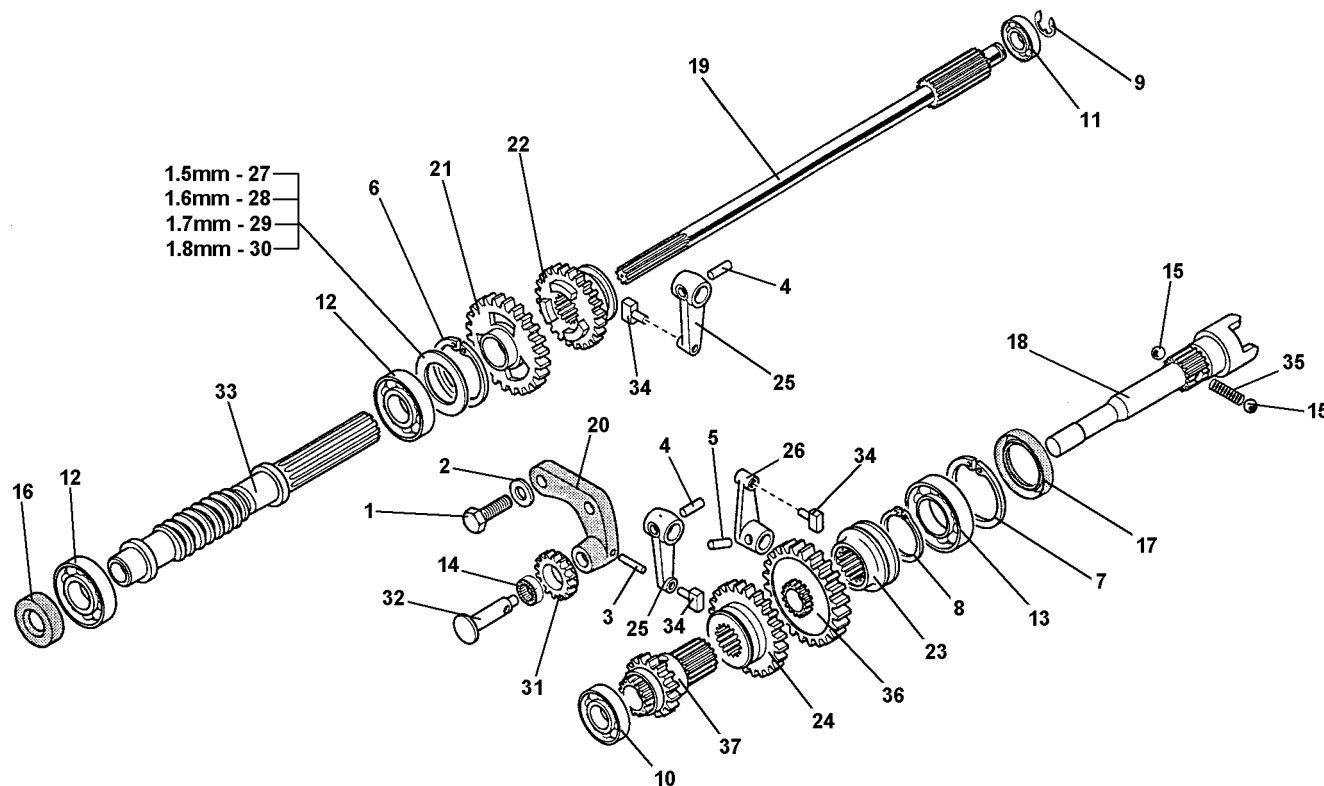
# 730

# Transmission

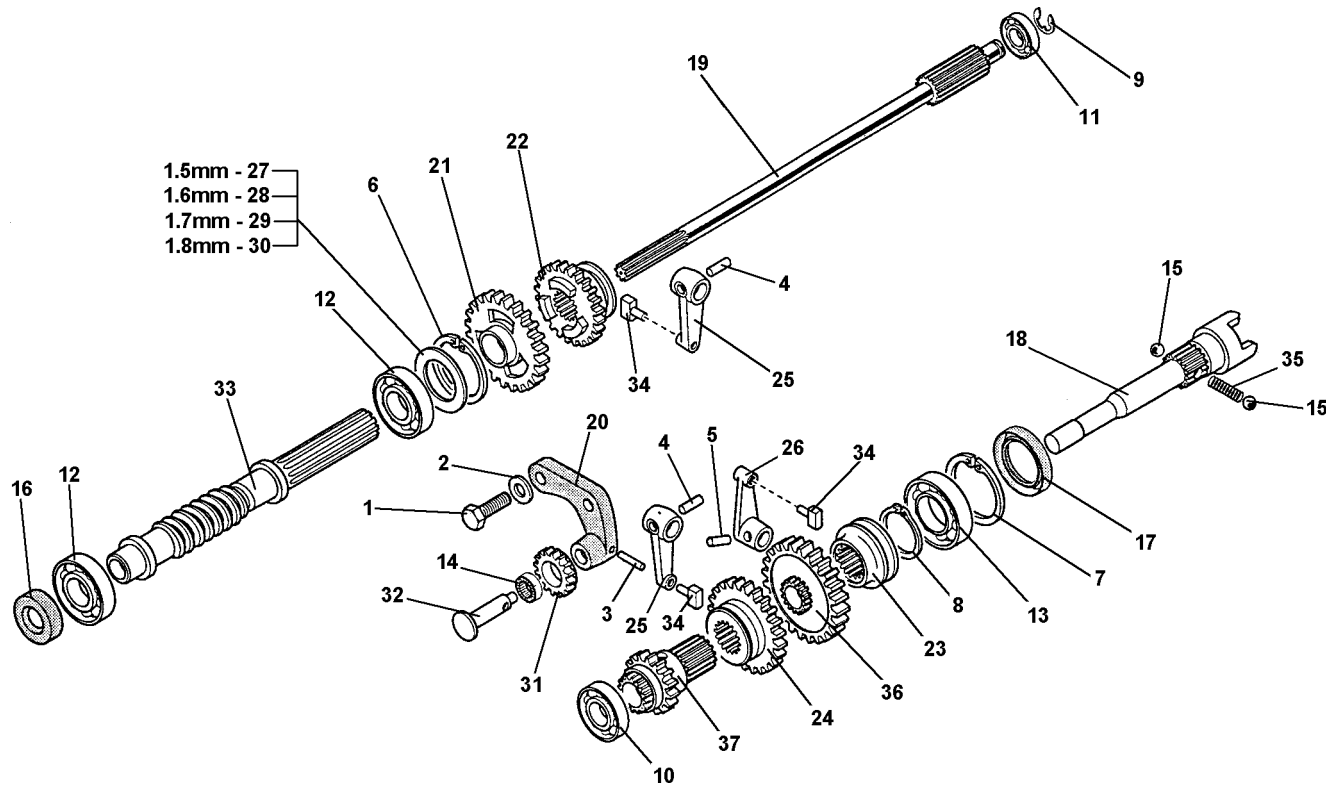
Serial Number Range  
100000 - 108089

# 04.00

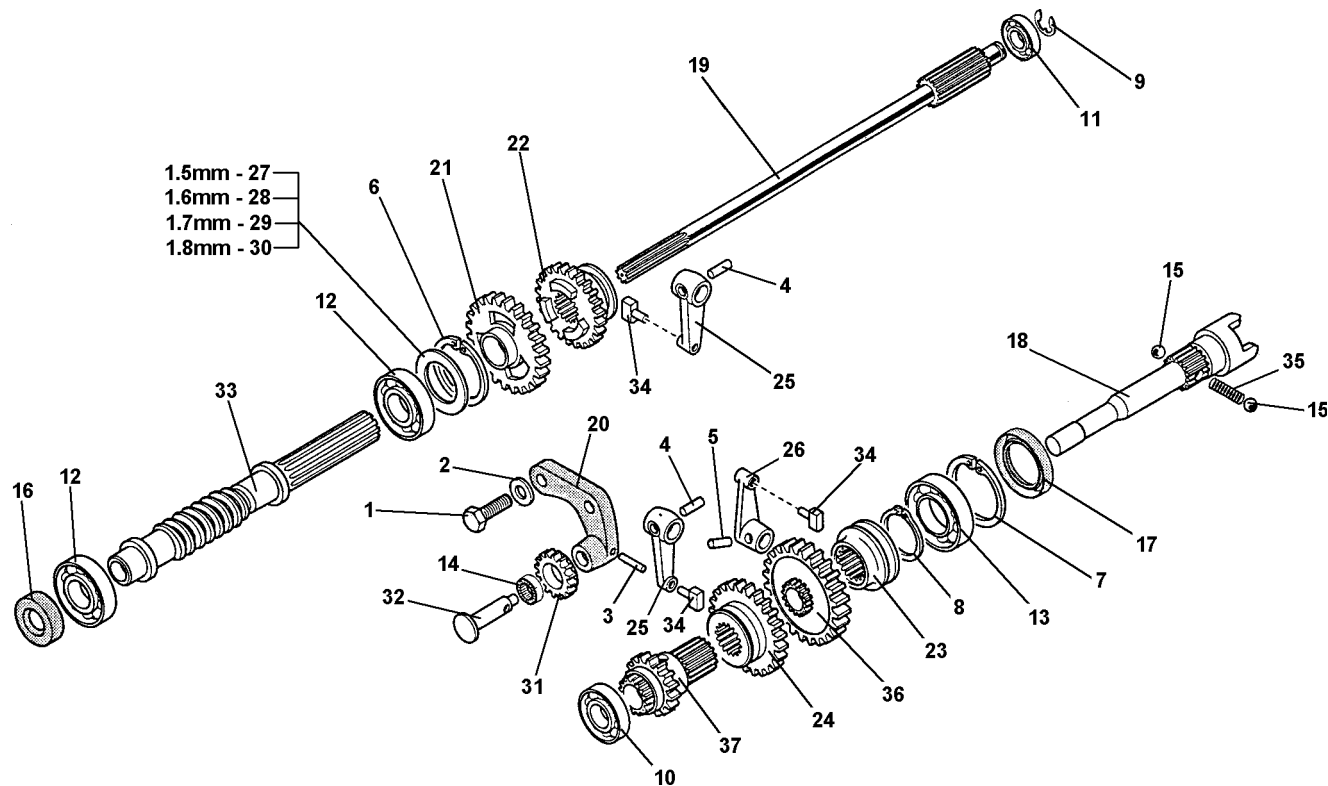
REVISED 03/05/02



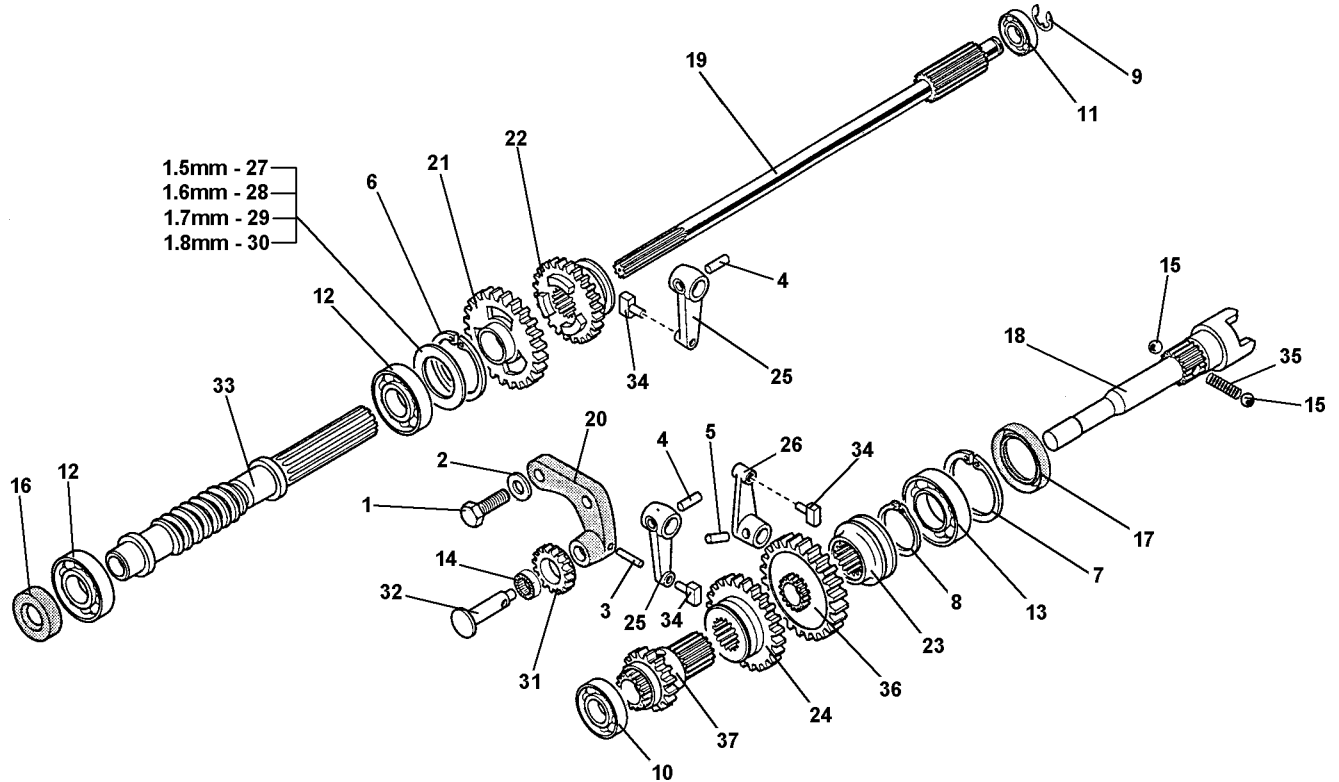
ID	PARTNO	DESCRIPTION	DENOMINACION	NOTES
36	590.56365	PTO GEAR	ENGRANAJE TDF	
37	590.56380	GEAR	EMGRANAJE	



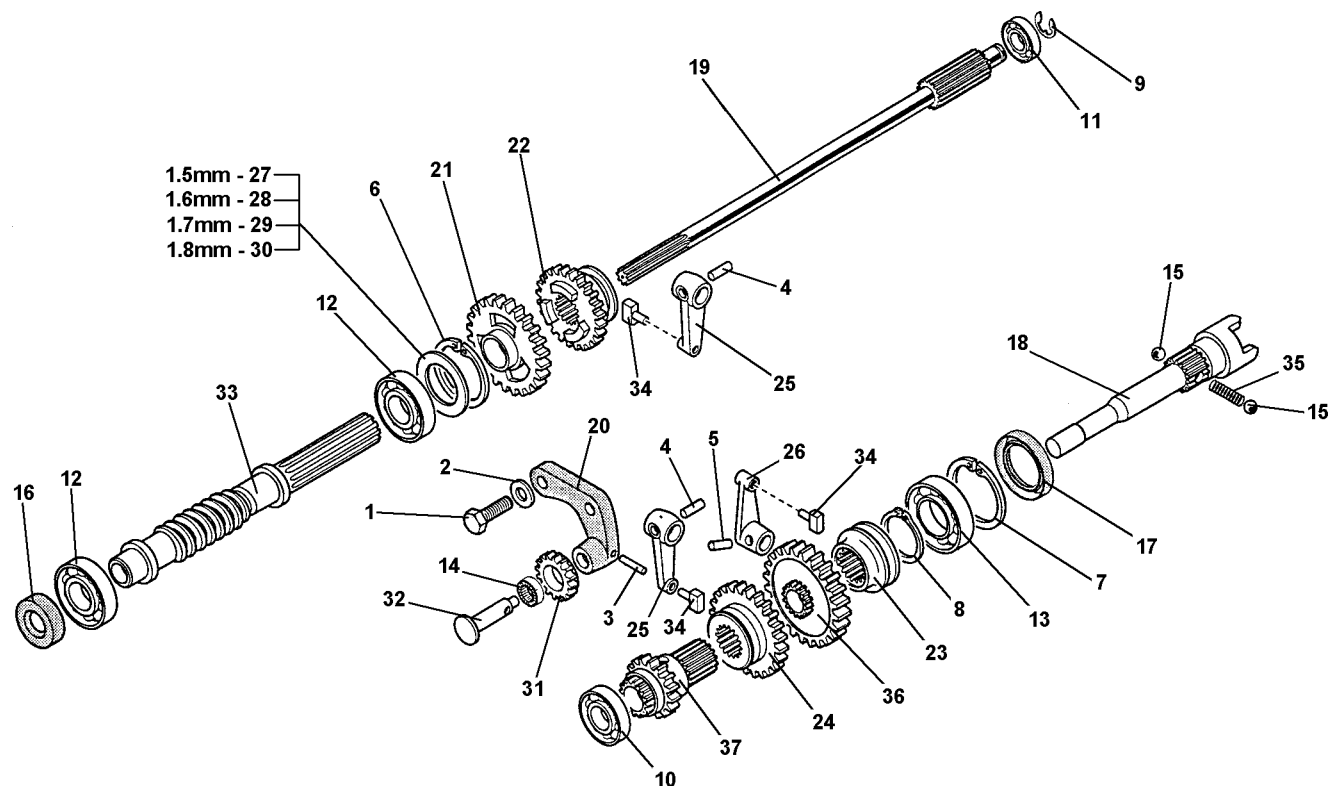
ID	PARTNO	DESCRIPTION	DENOMINACION	NOTES
1	311.12211	SCREW, M10X30	TORNILLO M10X30	
2	314.21101	SUPER WASHER 10	SUPER ARANDELA 10	
3	342.11042	LOCKING PIN, 4X25	ESP. DE RES. 4X25	
4	342.13060	LOCKING PIN, 6X24	ESP. DE RES. 6X24	
5	342.13061	LOCKING PIN, 6X20 SPIRAL	ESP. DE RES. 6X20 ESPIRAL	
6	351.11052	CIRCLIP, INTERNAL	SEEGER, INT.	
7	351.11055	CIRCLIP, INTERNAL	SEEGER, INT.	
8	351.21031	CIRCLIP, EXTERNAL	SEEGER, EXT.	
9	352.11120	RETAINING RING	SEEGER	
10	371.11151	BEARING, 15X35X11	CONJINETE, 15X35X11	
11	371.11152	BEARING, 15X42X13	CONJINETE, 15X42X13	
12	371.11255	BEARING, 25X52X15	CONJINETE, 25X52X15	
13	371.12229	BEARING, 30X55X13	CONJINETE 30X55X13	
14	373.20120	BEARING, 12X15X10	CONJINETE 12X15X10	
15	379.10832	BALL, 1/4"	BOLA 1/4"	
16	382.11500	OIL SEAL, 15X28X7	CHAPA RET. ACEITE 15X28X7	
17	382.13800	OIL SEAL, 38X55X7	CHAPA RET. ACEITE 38X55X7	
18	524.56335	PTO SHAFT	ARBOL TDF	
19	524.56339	MAIN SHAFT	ARBOL EMBRAGUE PARA INVERT.	
20	524.56344	REVERSER BRACKET	PALANCA INVERTIDOR	
21	524.56354	FIRST GEAR	BARRA I VELOCIDAD	
22	524.56358	SLIDER GEAR	PINON DESPLAZABLE	
23	524.56362	PTO SLIDER	PINON DESPLAZABLE TDF	
24	524.56370	SLIDER, REVERSER	PINON DESPLAZABLE INVERTIDOR	
25	524.56389	LEVER, SLIDER	PALANCA INVERTIDOR	
26	524.56390	LEVER, PTO ENGAGEMENT	PALANCA TDF	
27	563.56328	SHIM, 1.5MM	ANILLO 1.5MM	
28	563.56329	SHIM, 1.6MM	ANILLO 1.6MM	
29	563.56330	SHIM 1.7MM	ANILLO 1.7	
30	563.56331	SHIM 1.8MM	ANILLO 1.8MM	
31	564.56347	REVERSE GEAR	ENGRANAJE INVERTIDOR	
32	564.56351	PIN, REVERSE GEAR	PERNO ENGRANAJE TDF	
33	564.56475	WORM GEAR	TORNILLO SIN FIN	
34	580.43086	SHOE	PATIN	
35	580.56391	SPRING, PTO BALLS	RESORTE BOLA TDF	



ID	PARTNO	DESCRIPTION	DENOMINACION	NOTES
36	590.56365	PTO GEAR	ENGRANAJE TDF	
37	590.56380	GEAR	EMGRANAJE	



ID	PARTNO	DESCRIPTION	DENOMINACION	NOTES
1	311.12211	SCREW, M10X30	TORNILLO M10X30	
2	314.21101	SUPER WASHER 10	SUPER ARANDELA 10	
3	342.11042	LOCKING PIN, 4X25	ESP. DE RES. 4X25	
4	342.13060	LOCKING PIN, 6X24	ESP. DE RES. 6X24	
5	342.13061	LOCKING PIN, 6X20 SPIRAL	ESP. DE RES. 6X20 ESPIRAL	
6	351.11052	CIRCLIP, INTERNAL	SEEGER, INT.	
7	351.11055	CIRCLIP, INTERNAL	SEEGER, INT.	
8	351.21031	CIRCLIP, EXTERNAL	SEEGER, EXT.	
9	352.11120	RETAINING RING	SEEGER	
10	371.11151	BEARING, 15X35X11	CONJINETE, 15X35X11	
11	371.11152	BEARING, 15X42X13	CONJINETE, 15X42X13	
12	371.11255	BEARING, 25X52X15	CONJINETE, 25X52X15	
13	371.12229	BEARING, 30X55X13	CONJINETE 30X55X13	
14	373.20120	BEARING, 12X15X10	CONJINETE 12X15X10	
15	379.10832	BALL, 1/4"	BOLA 1/4"	
16	382.11500	OIL SEAL, 15X28X7	CHAPA RET. ACEITE 15X28X7	
17	382.13800	OIL SEAL, 38X55X7	CHAPA RET. ACEITE 38X55X7	
18	524.56335	PTO SHAFT	ARBOL TDF	
19	524.56339	MAIN SHAFT	ARBOL EMBRAGUE PARA INVERT.	
20	524.56344	REVERSER BRACKET	PALANCA INVERTIDOR	
21	524.56354	FIRST GEAR	BARRA I VELOCIDAD	
22	524.56361	SLIDER GEAR	PINON DESPLAZABLE	
23	524.56362	PTO SLIDER	PINON DESPLAZABLE TDF	
24	524.56370	SLIDER, REVERSER	PINON DESPLAZABLE INVERTIDOR	
25	524.56389	LEVER, SLIDER	PALANCA INVERTIDOR	
26	524.56390	LEVER, PTO ENGAGEMENT	PALANCA TDF	
27	563.56328	SHIM, 1.5MM	ANILLO 1.5MM	
28	563.56329	SHIM, 1.6MM	ANILLO 1.6MM	
29	563.56330	SHIM 1.7MM	ANILLO 1.7	
30	563.56331	SHIM 1.8MM	ANILLO 1.8MM	
31	564.56347	REVERSE GEAR	ENGRANAJE INVERTIDOR	
32	564.56351	PIN, REVERSE GEAR	PERNO ENGRANAJE TDF	
33	564.56475	WORM GEAR	TORNILLO SIN FIN	
34	580.43086	SHOE	PATIN	
35	580.56391	SPRING, PTO BALLS	RESORTE BOLA TDF	



ID	PARTNO	DESCRIPTION	DENOMINACION	NOTES
36	590.56365	PTO GEAR	ENGRANAJE TDF	
37	590.56384	GEAR	EMGRANAJE	

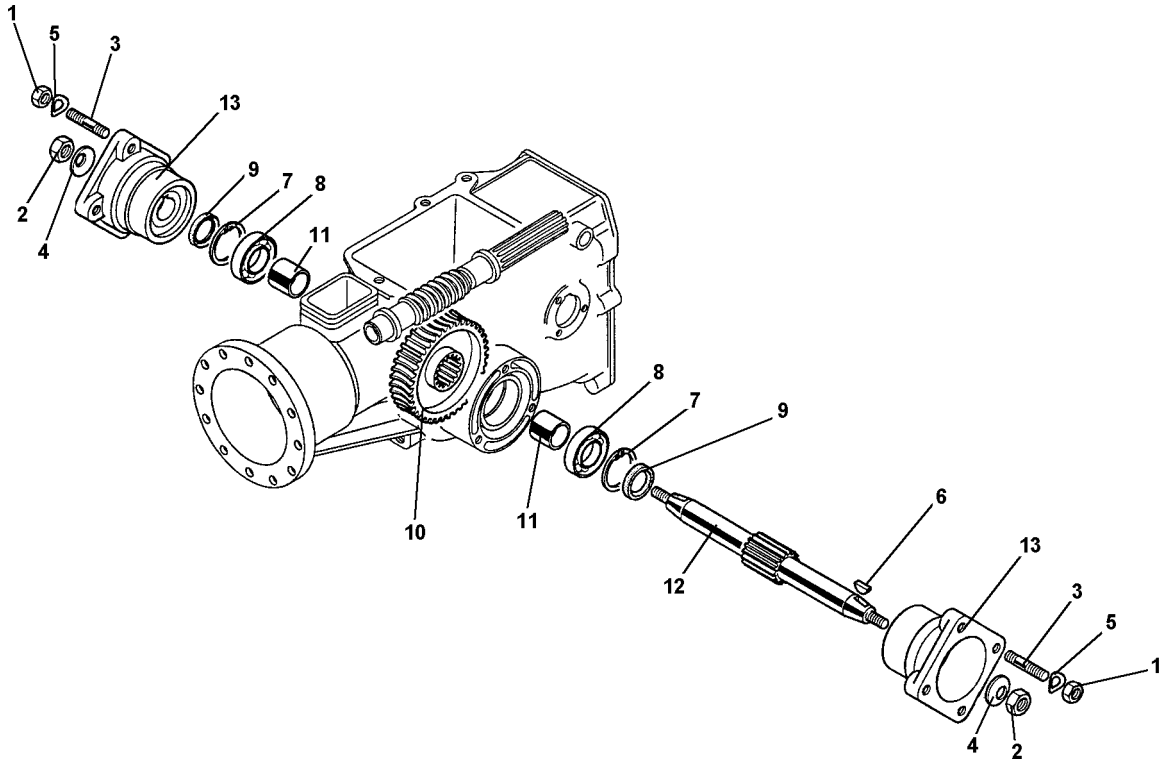
# 730

## Wheel Axle

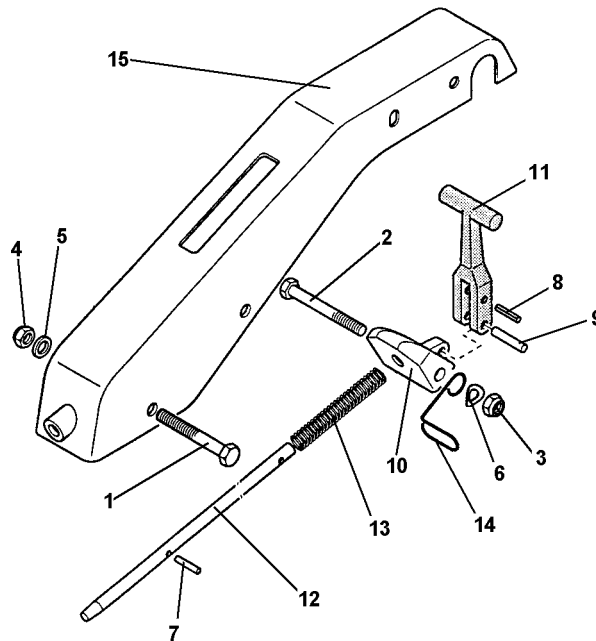
Serial Number Range  
100000 - -----

# 05.00

REVISED 03/05/02



ID	PART NO	DESCRIPTION	DENOMINACION	NOTES
1	312.11100	NUT, M10	TUERCA M10	
2	312.41120	NUT, SELF LOCKING M12	TUERCA AUTOBLOC. M12	
3	313.12102	STUD, M10X40X22X14	PRISIONERO M10X40X22X14	
4	314.21130	SUPER WASHER, 12	ARANDELA SUPER, 12	
5	314.23105	WASHER, LOCK 10.5	ARANDELA DE. RES. 10.5	
6	343.11060	KEY 6X10	LINGUETA 6X10	
7	351.11052	CIRCLIP, INTERNAL	SEEGER, INT.	
8	371.11255	BEARING 25X52X15	COJINETE 25X52X15	
9	382.12501	OIL SEAL, 25X52X10	CHAPA RET. A.C. 25X52X10	
10	541.43090	GEAR	CORONA	
11	561.43059	SPACER	SEPARADOR	
12	563.43058	WHEEL SHAFT	PARTE RUEDAS	
13	590.43063	HUB, WHEEL WITH STUDS	CUBO RUEDA CON PRISION	



ID	PARTNO	DESCRIPTION	DENOMINACION	NOTES
1	311.12294	SCREW, M12X85	TORNILLO M12X85	
2	311.13210	SCREW, M10X80	TORNILLO M10X80	
3	312.41100	NUT, SELF LOCKING, M10	TUERCA HEX. INT. M10	
4	312.41120	NUT, SELF LOCKING, M12	TUERCA HEX. INT. M12	
5	314.21130	WASHER, M10.4	ARANDELA DE RES. 10.4	
6	314.23105	WASHER, LOCKING, M13	ARANDELA DE RES. M13	
7	342.11028	PIN, LOCKING	ESPINA DE RESISTENCIA	
8	342.11041	PIN, LOCKING, M4X35	ESP DE RES. M4X35	
9	342.21070	PIN, LOCKING	ESPINA CILINDRIC	
10	552.51686	SUPPORT, RD	SOPORTE PALANCA	
11	552.51688	ADJUSTING LEVER	PALANCA DE REGULACION	
12	563.51685	HANDLEBAR POSITION ROD	VARILLA MANILLAR	
13	580.42219	SPRING, ROD	MUELLE	
14	580.57266	CABLE GUIDE	GUIDE FILO	
15	590.51682	STEERING COLMUN	COLUMNA MANILLAR	

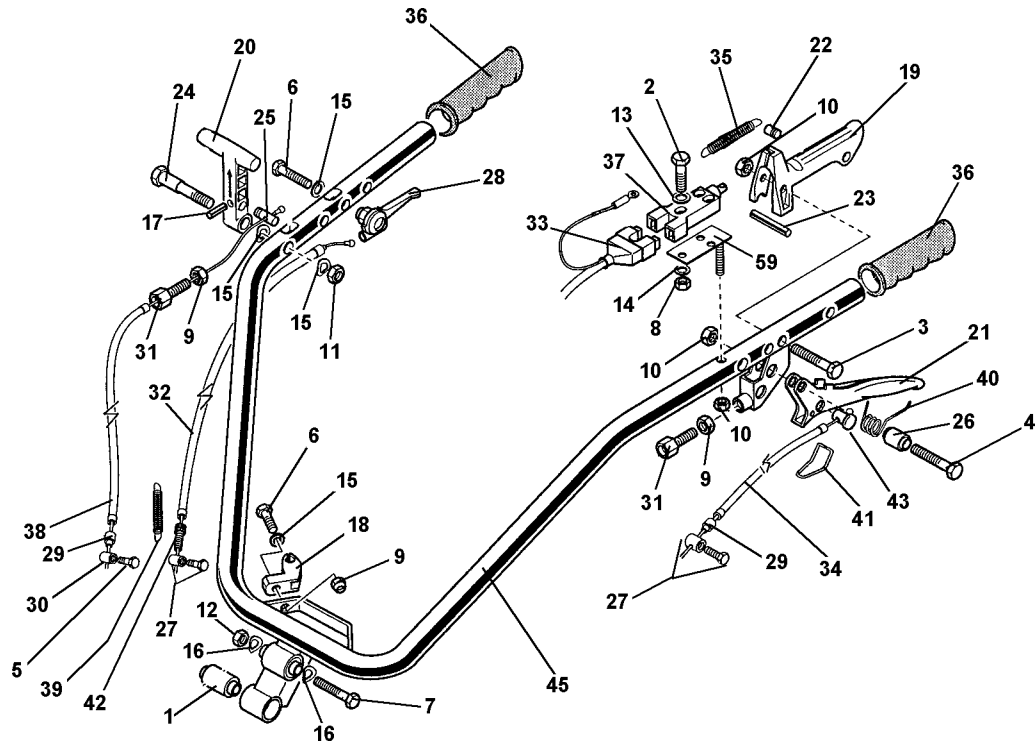
# 730

# Handlebar

## Serial Number Range 100 00 - 109018

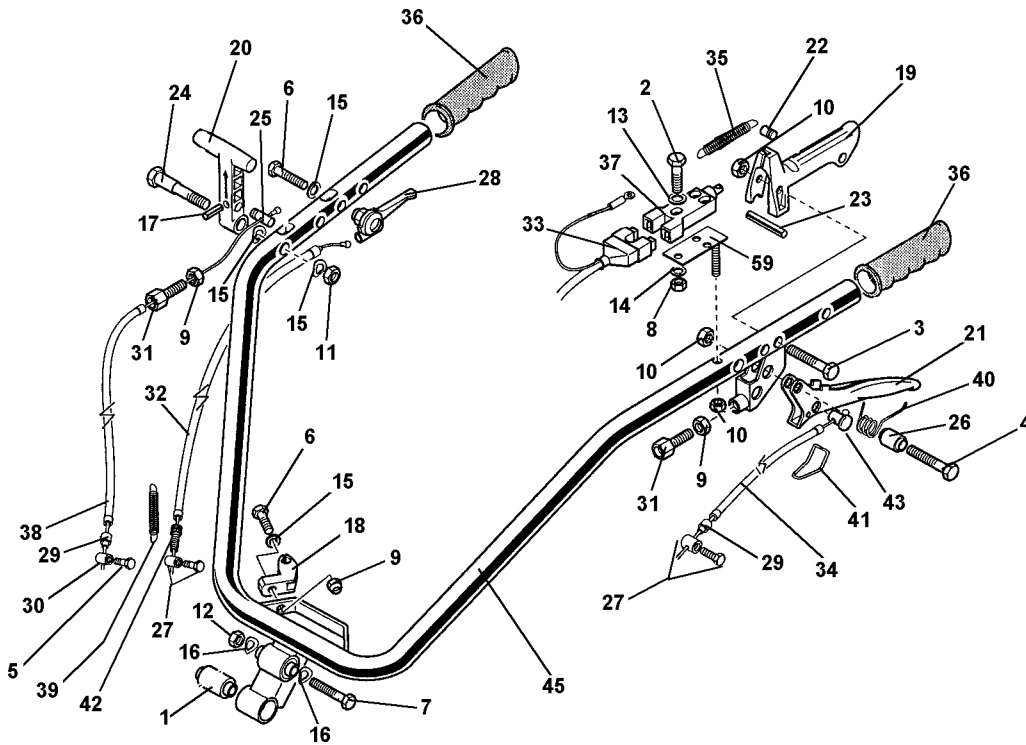
# 07.00

REVISED 03/05/02



ID	PARTNO	DESCRIPTION	DENOMINACION	NOTES
1	300.10103	SILENTBLOCK	SILENTBLOC	
2	311.11086	SCREW TE M4X25	TORNILLO TE M4X25	
3	311.11097	SCREW, TE M6X45	TORNILLO, TE M6X45	
4	311.12089	SCREW, M6X25	TORNILLO, M6X25	
5	311.12090	SCREW, TE M6X16	TORNILLO, TE M6X16	
6	311.12153	SCREW, M8X35	TORNILLO, M8X35	
7	311.13210	SCREW, M10X80	TORNILLO, M10X80	
8	312.11040	NUT, M4	TUERCA M4	
9	312.11080	NUT, M8	TUERCA, M8	
10	312.41060	NUT, SELF LOCKING M6	TERCA AUTOBLOC. M6	
11	312.41080	NUT, M8	TUERCA, M8	
12	312.41100	NUT, M10	TUERCA, M10	
13	314.11043	FLAT WASHER, M4.3	AUANDELA PLANA, M4.3	
14	314.23043	LOCK WASHER M4.3	ARANDELA, PLANA 6.4	
15	314.23084	LOCK WASHER, M8.3	ARANDELA DE RES. M4.3	
16	314.23105	WAVE WASHER, M10.4	ARANDELA DE RES. M10.4	
17	342.13020	PIN, LOCKING	ESPIÑA DE RES	
18	552.43340	SUPPORT, CONTROL ROD	SOPORTE BARRA	
19	552.48041	MOTOR STOP LEVER	PALANCA MOTOR STOP	
20	552.48283	REVERSER LEVER		
21	561.47655	CLUTCH LEVER	PALANCA	
22	561.47711	SPRING PIN	ESPIÑA	
23	561.48037	LEVER STOP FOR MOTOR STOP	FIJACION PALANCA MOTOR STOP	
24	56148285	SCREW	PERNO	
25	561.48286	DRILLED PIN	PERNO FORADO	
26	561.50361	LEVER SPACER	SEPARADOR PALANCAS	
27	580.02429	CLAMP, CABLE	PASADOR	
28	580.02538	THROTTLE LEVER	PALANCA MANDO GAS	
29	580.42167	CABLE END	BULLON CABLE EMBRAGUE	
30	580.42200	PIN, CABLE CLAMP	PERNO ABRAZADERA CABLE	
31	580.42202	SCREW, ADJUSTING, M8	TORNILLO REG. M8	
32	580.42486	THROTTLE CABLE	ALAMBRE Y VAINA GAS	
33	580.47568	SWITCH WIRING HARNESS	CABLES INTERRUPTOR	
34	580.47629	CLUTCH CABLE	CABLE VAINA	
35	580.47712	SPRING	MUELLE	

16- REPLACED BY 552.43338 FOR USE ON UNITS WITH REAR ATTACHMENTS ONLY.



ID	PARTNO	DESCRIPTION	DENOMINACION	NOTES
36	580.48000	GRIP	MANIVELA	ENGANCHE
37	580.48009	STOP SWITCH	INTERRUPTOR STOP	
38	580.49670	REVERSER CABLE	CABLE Y VAINA	
39	580.49786	SPRING	MUELLE	
40	580.50345	LEVER SPRING	PALANCA	
41	580.51670	HOOK	ENGANCHE	
42	581.47704	CABLE ADJUSTER	TORNILLO REG, M8	
43	581.50313	BARREL	PASADOR	
44	590.47709	SWITCH PLATE	SOPORTE INTERRUPTOR STOP	
45	590.57104	HANDLE BAR	MANUBRIO	

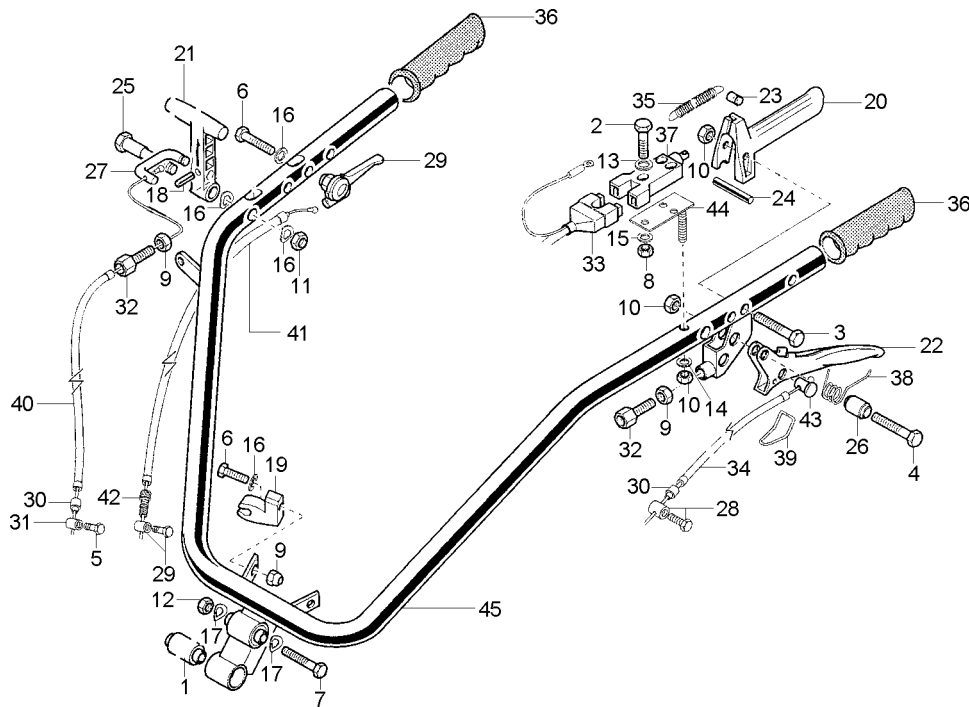
# 730

# Handlebar

## Serial Number Range 109019 - -----

# 07.01

REVISED 03/05/02



ID	PARTNO	DESCRIPTION	DENOMINACION	NOTES
1	300.10103	SILENTBLOCK	SILENTBLOC	
2	311.11086	SCREW TE M4X25	TORNILLO TE M4X25	
3	311.11097	SCREW, TE M6X45	TORNILLO, TE M6X45	
4	311.12089	SCREW, M6X25	TORNILLO, M6X25	
5	311.12090	SCREW, TE M6X16	TORNILLO, TE M6X16	
6	311.12153	SCREW, M8X35	TORNILLO, M8X35	
7	311.13210	SCREW, M10X80	TORNILLO, M10X80	
8	312.11040	NUT, M4	TUERCA M4	
9	312.11080	NUT, M8	TUERCA, M8	
10	312.41060	NUT, SELF LOCKING M6	TERCA AUTOBLOC. M6	
11	312.41080	NUT, M8	TUERCA, M8	
12	312.41100	NUT, M10	TUERCA, M10	
13	314.11043	FLAT WASHER, M4.3	AUANDELA PLANA, M4.3	
14	314.11064	WASHER, FLAT 6.4	ARANDELA, PLANA 6.4	
15	314.23043	LOCK WASHER, M4.3	ARANDELA DE RES. M4.3	
16	314.23084	WASHER, M8.4	ARANDELA M8.4	
17	314.23105	WAVE WASHER, M10.4	ARANDELA DE RES. M10.4	
18	342.13020	PIN, LOCKING	ESPINA DE RES	
19	<b>552.43340</b>	<b>SUPPORT, CONTROL ROD</b>	<b>SOPORTE BARRA</b>	<b>16- REPLACED BY 552.43338 FOR USE ON UNITS WITH REAR ATTACHMENTS ONLY.</b>
20	552.48041	MOTOR STOP LEVER	PALANCA MOTOR STOP	
21	552.48283	REVERSER LEVER		
22	561.47655	CLUTCH LEVER	PALANCA	
23	561.47711	SPRING PIN	ESPINA	
24	561.48037	LEVER STOP FOR MOTOR STOP	FIJACION PALANCA MOTOR STOP	
25	56148285	SCREW	PERNO	
26	561.50361	LEVER SPACER	SEPARADOR PALANCAS	
27	561.57332	PIVOT, PIN	TORNILLO INVERSOR DE MARCHA	
28	580.02429	CLAMP, CABLE	PASADOR	
29	580.02538	THROTTLE LEVER	PALANCA MANDO GAS	
30	580.42167	CABLE END	BULLON CABLE EMBRAGUE	
31	580.42200	PIN, CABLE CLAMP	PERNO ABRAZADERA CABLE	
32	580.42202	SCREW, ADJUSTING, M8	TORNILLO REG. M8	
33	580.47568	SWITCH WIRING HARNESS	CABLES INTERRUPTOR	
34	580.47629	CLUTCH CABLE	CABLE VAINA	
35	580.47712	SPRING	MUELLE	

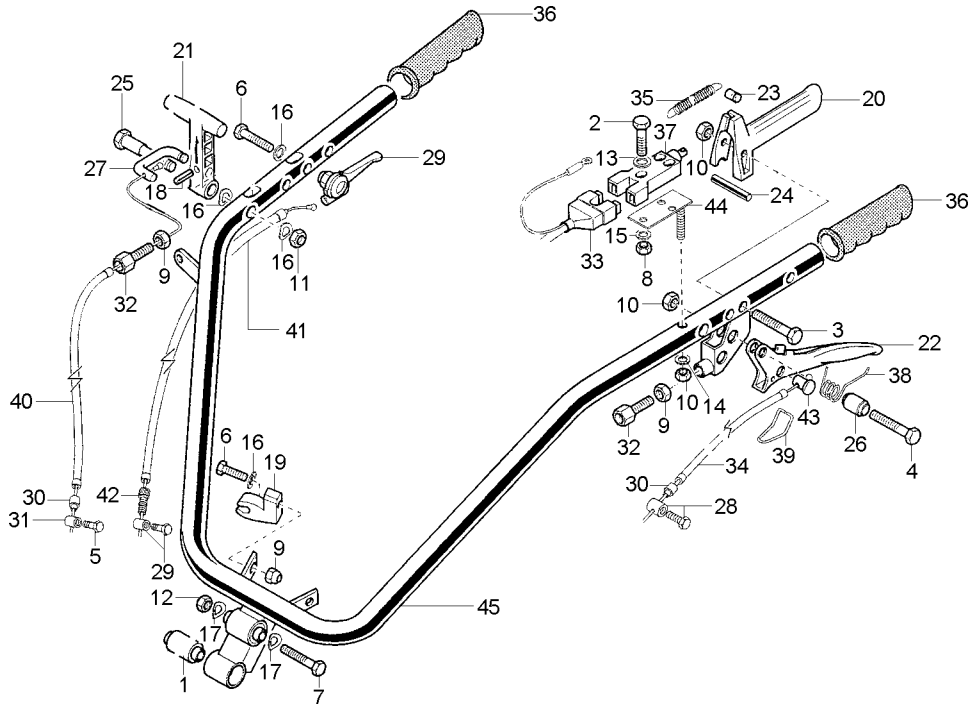
# 730

## Handlebar

Serial Number Range  
109019 - .....

# 07.01

REVISED 03/05/02



ID	PARTNO	DESCRIPTION	DENOMINACION	NOTES
36	580.48000	GRIP	MANIVELA	
37	580.48009	STOP SWITCH	INTERRUPTOR STOP	
38	580.50345	LEVER SPRING	PALANCA	
39	580.51670	HOOK	ENGANCHE	
40	580.57286	REVERSER CABLE	CABLE Y VAINA	
41	580.57335	THROTTLE CABLE	ALAMBRE VAINA GAS	
42	581.47704	CABLE ADJUSTER	TORNILLO REG, M8	
43	581.50313	BARREL	PASADOR	
44	590.47709	SWITCH PLATE	SOPORTE INTERRUPTOR STOP	
45	590.57110	HANDLE BAR	MANUBRIO	

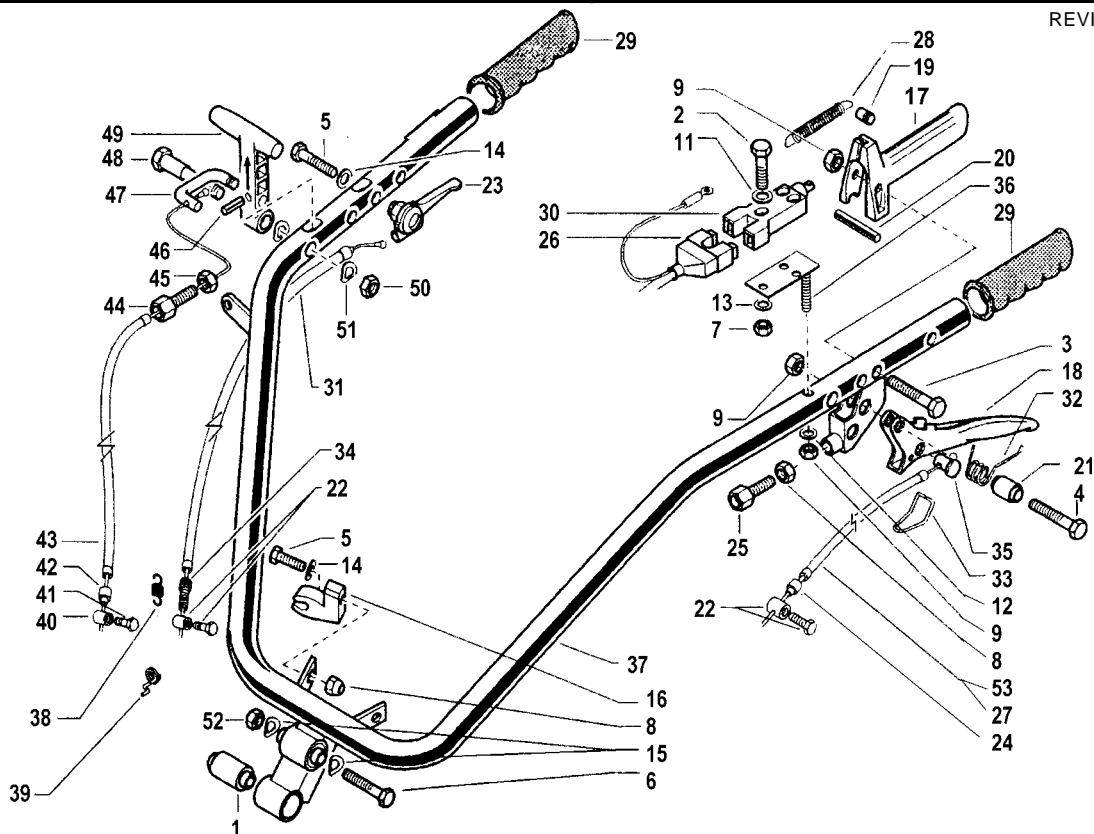
# 730

## Handlebar 8.5HP KOHLER CS PRO

### Serial Number Range 124664 - -----

# 07.02

REVISED 03/18/02



ID	PARTNO	DESCRIPTION	DENOMINACION	NOTES
1	300.10103	SILENTBLOCK	SILENTBLOC	
2	311.11086	SCREW TE M4X25	TORNILLO TE M4X25	
3	311.11097	SCREW, TE M6X45	TORNILLO, TE M6X45	
4	311.12089	SCREW, M6X25	TORNILLO, M6X25	
5	311.12153	SCREW, M8X35	TORNILLO M8X35	
6	311.12217	SCREW, M10X80	TORNILLO, M10X80	
7	312.11040	NUT, M4	TUERCA M4	
8	312.41080	NUT, M8	TUERCA, M8	
9	312.41060	NUT, SELF LOCKING M6	TERCA AUTOBLOC. M6	
10	312.41100	NUT, M10	TUERCA, M10	
11	314.11043	FLAT WASHER, M4.3	AUANDELA PLANA, M4.3	
12	314.11064	WASHER, FLAT 6.4	ARANDELA, PLANA 6.4	
13	314.23043	LOCK WASHER, M4.3	ARANDELA DE RES. M4.3	
14	314.23084	WASHER, M8.4	ARANDELA M8.4	
15	314.23105	WAVE WASHER, M10.4	ARANDELA DE RES. M10.4	
16	<b>552.43340</b>	<b>SUPPORT, CONTROL ROD</b>	<b>SOPORTE BARRA</b>	<b>16- REPLACED BY 552.43338 FOR USE ON UNITS WITH REAR ATTACHMENTS ONLY.</b>
17	552.48041	MOTOR STOP LEVER	PALANCA MOTOR STOP	
18	561.47655	CLUTCH LEVER	PALANCA	
19	561.47711	SPRING PIN	ESPINA	
20	561.48037	LEVER STOP FOR MOTOR STOP	FIJACION PALANCA MOTOR STOP	
21	561.50361	LEVER SPACER	SEPARADOR PALANCAS	
22	580.48002	CLAMP, CABLE	PASADOR	
23	580.02538	THROTTLE LEVER	PALANCA MANDO GAS	
24	580.42167	CABLE END	BULLON CABLE EMBRAGUE	
25	580.42202	SCREW, ADJUSTING, M8	TORNILLO REG. M8	
26	580.47568	SWITCH WIRING HARNESS	CABLES INTERRUPTOR	
27	580.47629	CLUTCH CABLE	CABLE VAINA	
28	580.47712	SPRING	MUELLE	
29	580.48000	GRIP	MANIVELA	
30	580.48009	STOP SWITCH	INTERRUPTOR STOP	
31	580.57335	THROTTLE CABLE	ALAMBRE Y VAINA	
32	580.50345	LEVER SPRING	PALANCA	
33	580.51670	HOOK	ENGANCHE	
34	581.47704	CABLE ADJUSTER	TORNILLO REG M8	
35	581.50313	BARREL	PASADOR	

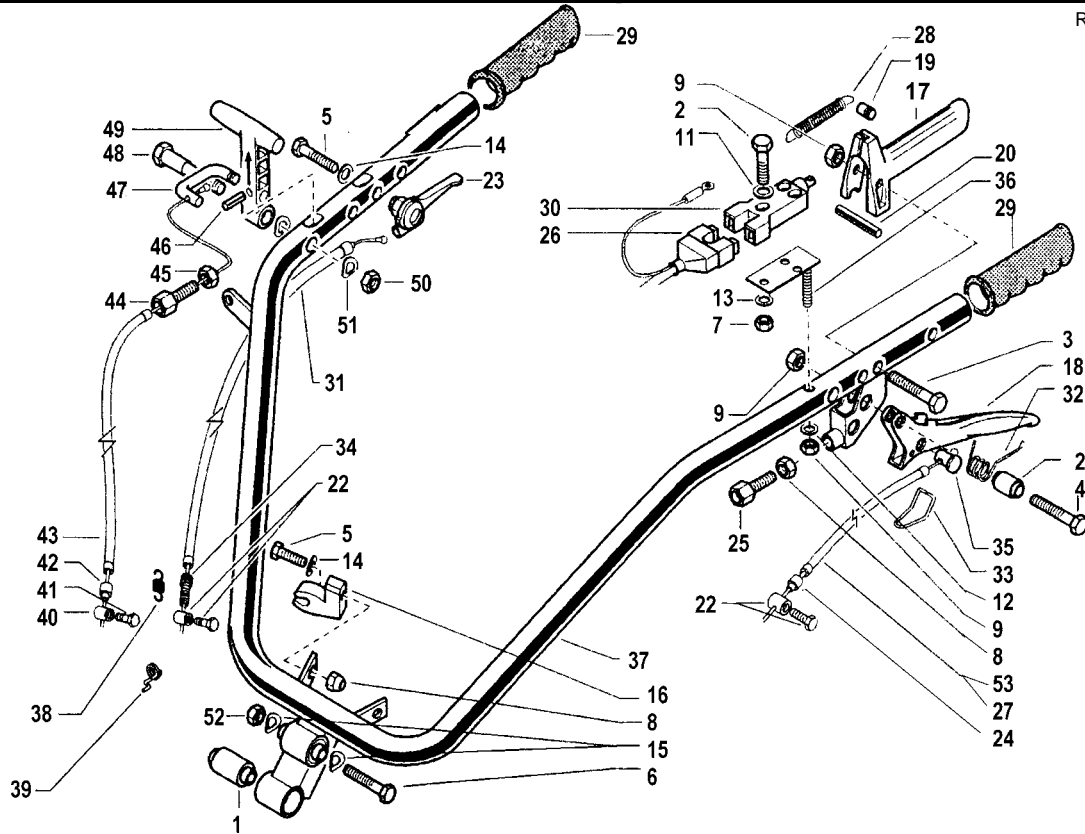
# 730

## Handlebar 8.5HP KOHLER CS PRO

### Serial Number Range 124664 - -----

# 07.02

REVISED 03/18/02



ID	PARTNO	DESCRIPTION	DENOMINACION	NOTES
36	590.47709	SWITCH PLATE	SOPORTE INTERRUPTOR STOP MANUBRIO	
37	590.57110	HANDLE BAR		
38	580.56153	SPRING		
39	580.56158	SPRING		
40	580.42200	CANLE CLAMP PIN		
41	311.11091	CAPSCREW M6X14		
42	580.42167	SHEATH END		
43	580.57286	REVERSER CABLE		
44	580.42202	ADJUSTING SCREW		
45	312.11080	NUT M8		
46	342.13020	SPLIT PIN 4X20		
47	561.57332	PIN, REVERSER CABLE		
48	561.48285	PIN		
49	552.48283	LEVER, REVERSER		
50	312.41080	NUT, SELF LOCKING M8		
51	314.23084	WASHER LOCK		
52	312.41100	NUT, SELF LOCKING M10		
53	580.53035	CABLE, CLUTCH ELECTRIC START		

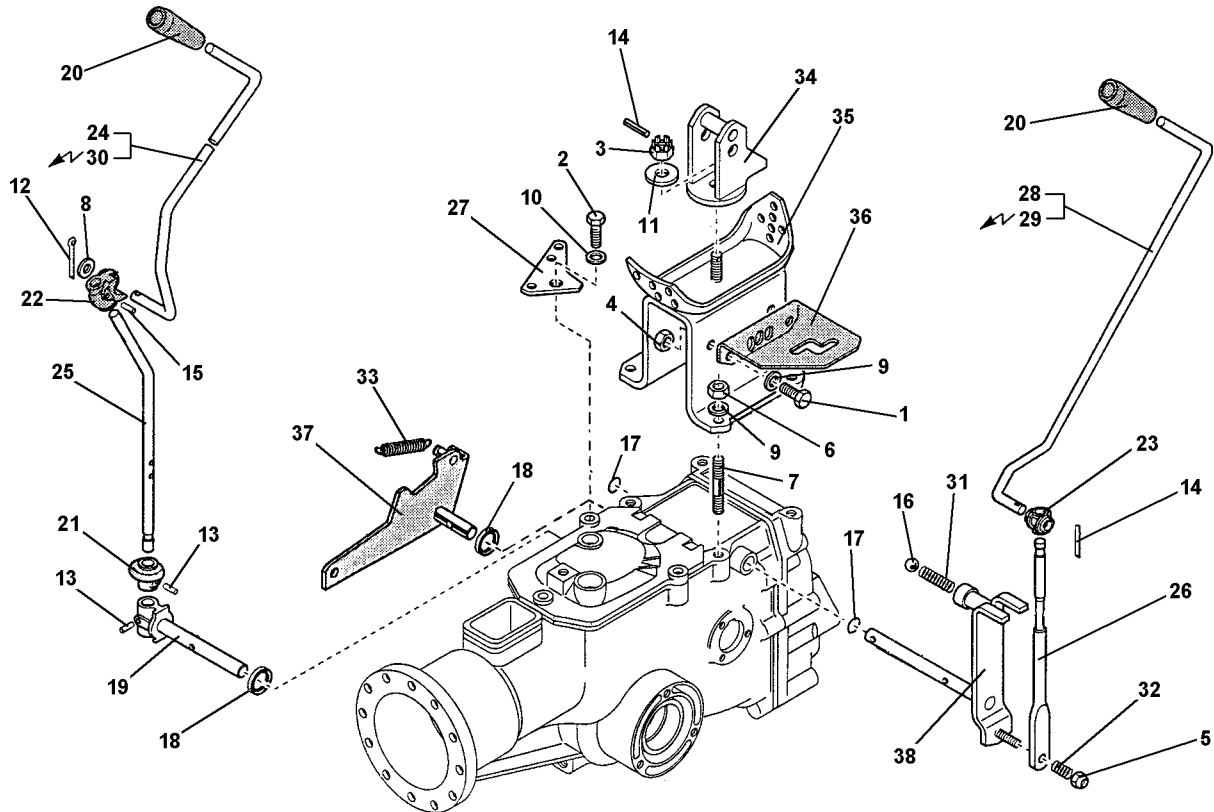
# 730

## Controls

### Serial Number Range 10000 - 10809

# 08.00

REVISED 03/05/02



ID	PARTNO	DESCRIPTION	DENOMINACION	NOTES
1	311.12150	SCREW, M8X20	TORNILLO, M8X20	
2	311.12152	SCREW, M8X30	TORNILLO, M8X30	
3	312.01212	NUT, CASTLE, M12	TUERCA HEX. INT. M12	
4	312.11080	NUT, M8	TUERCA, M8	
5	312.41080	NUT, SELF LOCKING, M8	TUERCA AUTOBLOC. M8	
6	312.41085	NUT, M8	TUERCA, M8	
7	313.12082	STUD, M8X38X14X20	PRISIONERO M8X38X14X20	
8	314.11104	WASHER, M10.5	ARANDELA, M10.5	
9	314.21083	SUPER WASHER	SUPER ARANDELA	
10	314.23084	WASHER, LOCK, M8.4	ARANDELA DE RES. M8.4	
11	314.23130	LOCK WASHER, M13	ARANDELA DE RES. M13	
12	341.10028	COTTER PIN	PASADOR	
13	342.13020	PIN, LOCKING, M4X20	ESP. DE RES. M4X20	
14	342.13022	PIN, LOCKING, M3X22	ESP. DE RES. M3X22	
15	342.13024	PIN, LOCKING, M4X24	ESP. DE RES. M4X24	
16	379.11532	BALL, 15/32"	BOLA, 15/32"	
17	382.02502	OIL SEAL, 14X18X2.5	CHAPA RET. ACEITE 14X18X2.5	
18	382.11400	OIL SEAL, 14X22X4	CHAPA RET. ACEITE 14X22X4	
19	523.57250	PTO SHAFT	PENO MANDO TDF	
20	551.42076	KNOB	POMO	
21	552.48378	PTO STOP RING	ANILLO CONTRASTE T.D.F.	
22	552.48379	PTO ARTICULATION	MANGUETA T.D.F.	
23	552.57249	SPEED ARTICULATION, 716, 720, 730	MANGUETA TDF 716, 720, 730	
24	561.49655	PTO CONTROL ROD, RECOIL START	TIRANTE MANDOS MC. RECOIL START	
25	561.57260	PTO CONTROL LEVER	PALANCA MANDO TDF	
26	561.57271	SPEED CONTROL LEVER	PALANCA CAMBIO	
27	561.57274	REVERSE BRACKET	PALANCA INVERT.	
28	561.57275	SPEED CONTROL ROD, RECOIL START	TIRANTE MANDOS MC.	
29	561.57276	SPEED CONTROL ROD, ELECTRIC	TIRANTE MANDOS MC. ELECTRIC START	
30	561.57282	PTO CONTROL ROD, ELECTRIC START	TIRANTE MANDOS MC. TDF, ELECTRIC	
31	580.43176	SPRING	MUELLE	
32	580.57232	SPRING	MUELLE	
33	580.57273	SPRING	MUELLE	
34	590.56900	HANDLE BAR SUPPORT	SOPORTE MANILLAR	
35	590.56905	HANDLE BAR ANCHOR	ATAQUE MANILLAR	

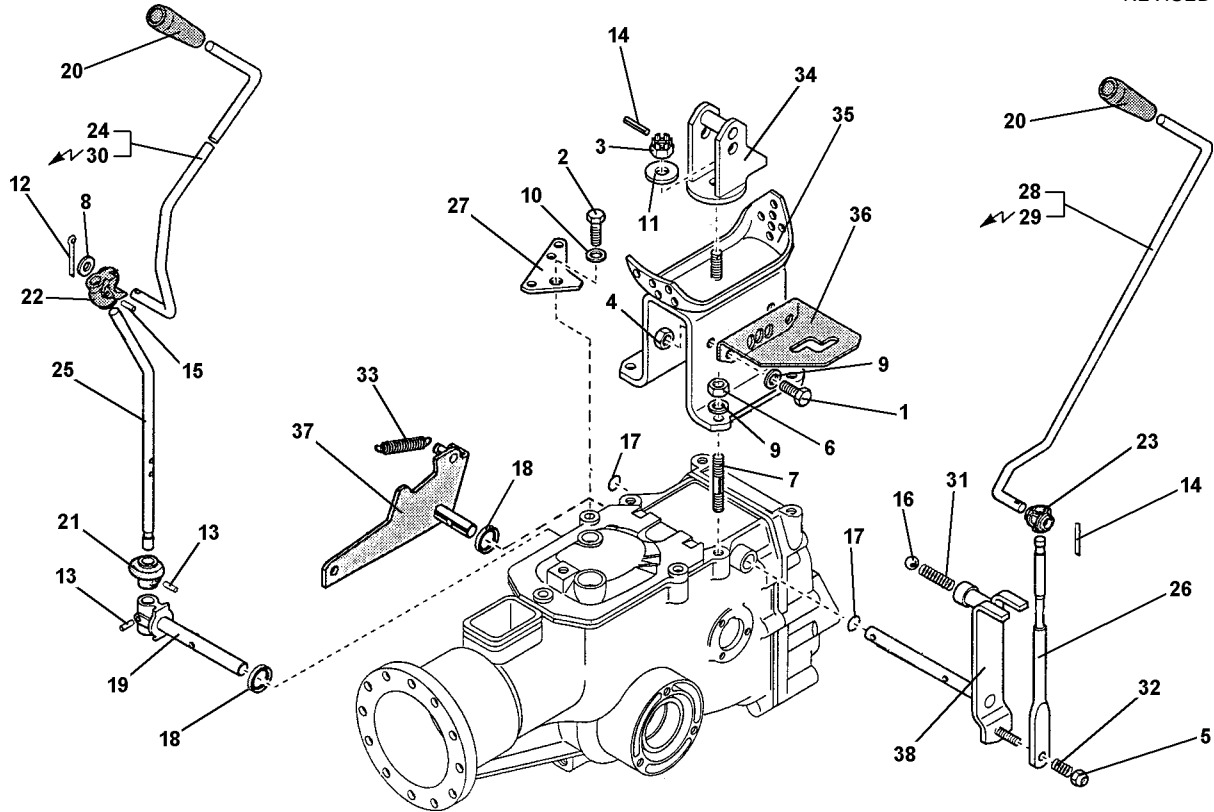
# 730

## Controls

Serial Number Range  
10000 - 10809

# 08.00

REVISED 03/05/02



ID	PARTNO	DESCRIPTION	DENOMINACION	NOTES
36	590.57231	GEAR SELECTOR, 716, 720, 730	SELECTOR MARCHAS, 716, 720, 730	
37	590.57268	REVERSE LEVER	PALANCE INVERT.	
38	590.57304	SPEED CONTROL LEVER, 716, 720, 730	PALANCA MANDO, 716, 720, 730	

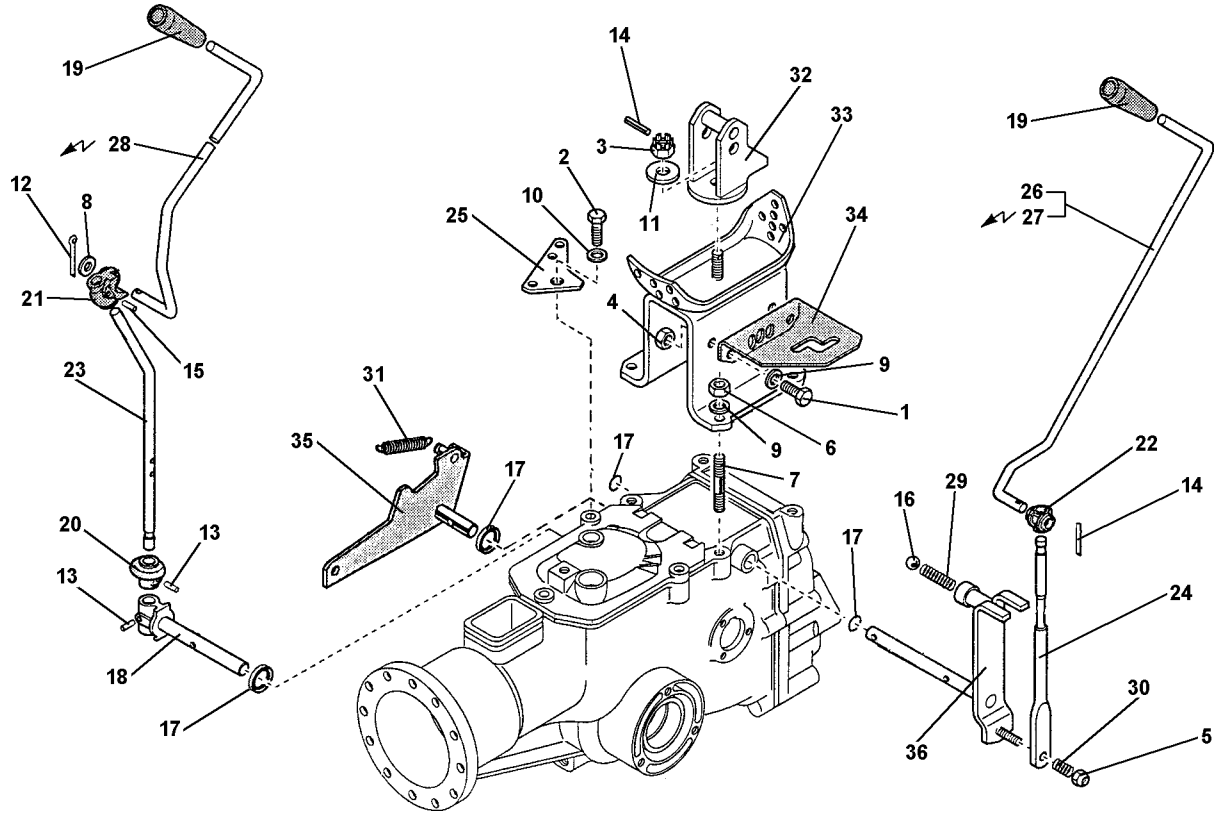
# 730

## Controls

### Serial Number Range 108090 - 111203

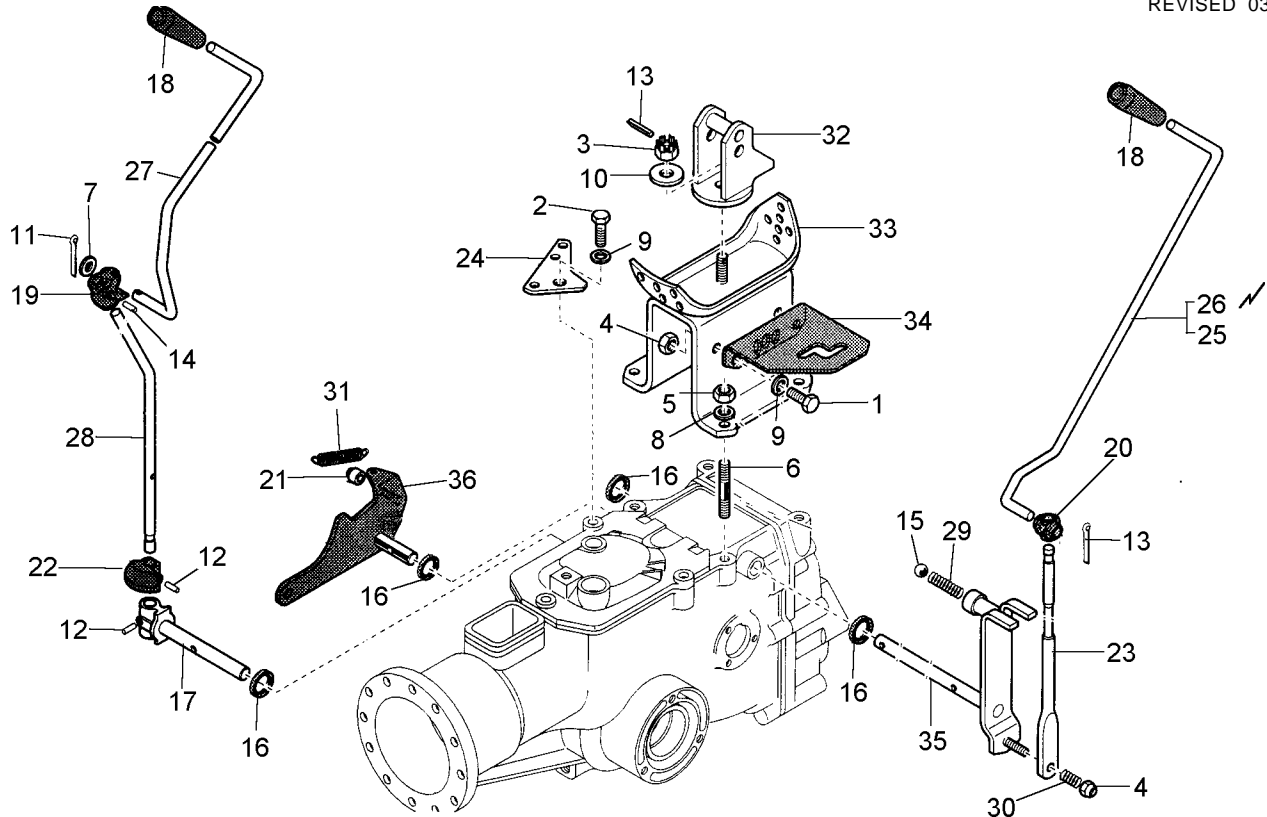
# 08.01

REVISED 03/05/02



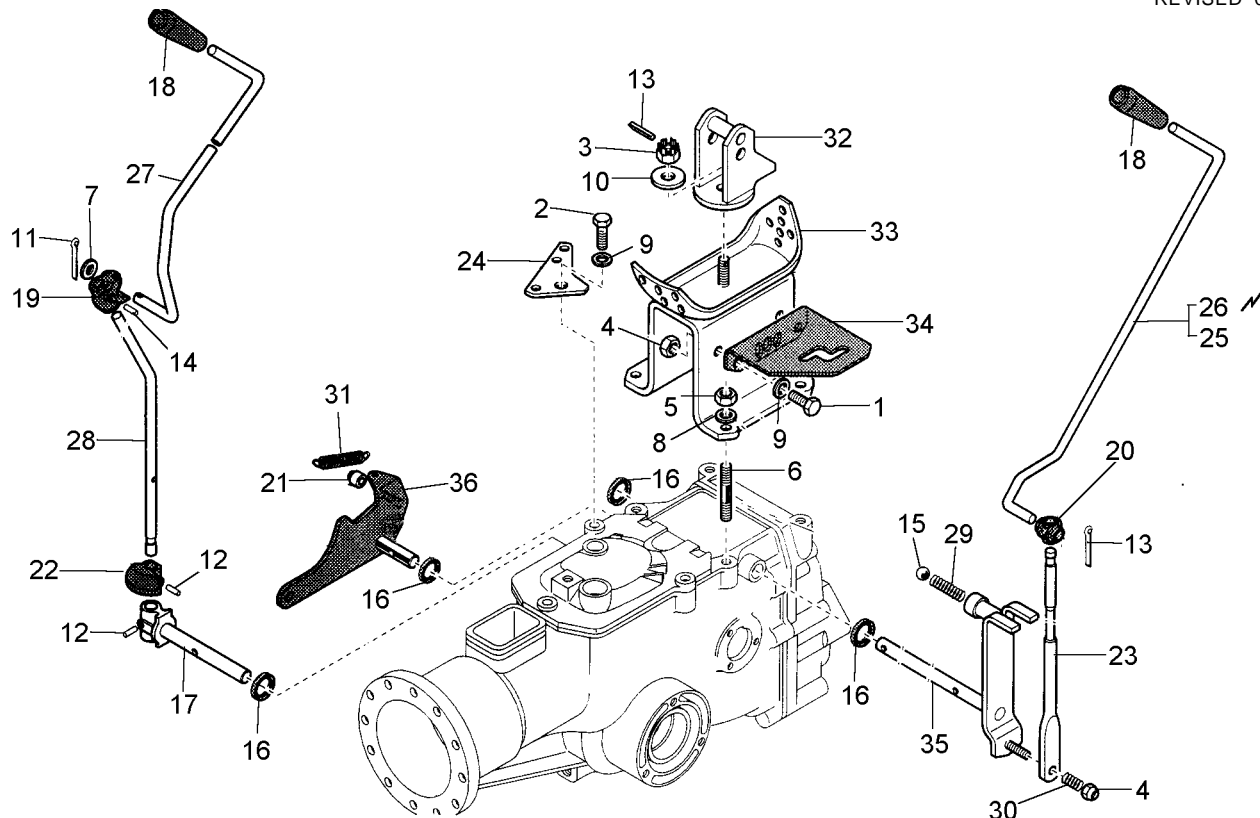
ID	PARTNO	DESCRIPTION	DENOMINACION	NOTES
1	311.12150	SCREW, M8X20	TORNILLO, M8X20	
2	311.12152	SCREW, M8X30	TORNILLO, M8X30	
3	312.01212	NUT, CASTLE, M12	TUERCA HEX. INT. M12	
4	312.11080	NUT, M8	TUERCA, M8	
5	312.41080	NUT, SELF LOCKING, M8	TUERCA AUTOBLOC. M8	
6	312.41085	NUT, M8	TUERCA, M8	
7	313.12082	STUD, M8X38X14X20	PRISIONERO M8X38X14X20	
8	314.11104	WASHER, M10.5	ARANDELA, M10.5	
9	314.21083	SUPER WASHER	SUPER ARANDELA	
10	314.23084	WASHER, LOCK, M8.4	ARANDELA DE RES. M8.4	
11	314.23130	LOCK WASHER, M13	ARANDELA DE RES. M13	
12	341.10028	COTTER PIN	PASADOR	
13	342.13020	PIN, LOCKING, M4X20	ESP. DE RES. M4X20	
14	342.13022	PIN, LOCKING, M3X22	ESP. DE RES. M3X22	
15	342.13024	PIN, LOCKING, M4X24	ESP. DE RES. M4X24	
16	379.11532	BALL, 15/32"	BOLA, 15/32"	
17	382.11400	OIL SEAL, 14X22X4	CHAPA RET. ACEITE 14X22X4	
18	523.57250	PTO SHAFT	PENO MANDO TDF	
19	551.42076	KNOB	POMO	
20	552.48378	PTO STOP RING	ANILLO CONTRASTE T.D.F.	
21	552.48379	PTO ARTICULATION	MANGUETA T.D.F.	
22	552.57249	SPEED ARTICULATION, 716, 720, 730	MANGUETA TDF 716, 720, 730	
23	561.57260	PTO CONTROL LEVER	PALANCA MANDO TDF	
24	561.57271	SPEED CONTROL LEVER	PALANCA CAMBIO	
25	561.57274	REVERSE BRACKET	PALANCA INVERT.	
26	561.57275	SPEED CONTROL ROD, RECOIL START	TIRANTE MANDOS MC.	
27	561.57276	SPEED CONTROL ROD, ELECTRIC	TIRANTE MANDOS MC. ELECTRIC START	
28	561.57282	PTO CONTROL ROD		
29	580.43176	SPRING	MUELLE	
30	580.57232	SPRING	MUELLE	
31	580.57273	SPRING	MUELLE	
32	590.56900	HANDLE BAR SUPPORT	SOPORTE MANILLAR	
33	590.56905	HANDLE BAR ANCHOR	ATAQUE MANILLAR	
34	590.57231	GEAR SELECTOR, 716, 720, 730	SELECTOR MARCHAS, 716, 720, 730	
35	590.57268	REVERSE LEVER	PALANCE INVERT.	





ID	PARTNO	DESCRIPTION	DENOMINACION	NOTES
1	311.12150	SCREW, M8X20	TORNILLO, M8X20	
2	311.12152	SCREW, M8X30	TORNILLO, M8X30	
3	312.01212	NUT, CASTLE, M12	TUERCA HEX. INT. M12	
4	312.41080	NUT, SELF LOCKING, M8	TUERCA AUTOBLOC. M8	
5	312.41085	NUT, M8	TUERCA, M8	
6	313.12082	STUD, M8X38X14X20	PRISIONERO M8X38X14X20	
7	314.11104	WASHER, M10.5	ARANDELA, M10.5	
8	314.21083	SUPER WASHER	SUPER ARANDELA	
9	314.23084	WASHER, LOCK, M8.4	ARANDELA DE RES. M8.4	
10	314.23130	LOCK WASHER, M13	ARANDELA DE RES. M13	
11	341.10028	COTTER PIN	PASADOR	
12	342.13020	PIN, LOCKING, M4X20	ESP. DE RES. M4X20	
13	342.13022	PIN, LOCKING, M3X22	ESP. DE RES. M3X22	
14	342.13024	PIN, LOCKING, M4X24	ESP. DE RES. M4X24	
15	379.11532	BALL, 15/32"	BOLA, 15/32"	
16	382.11400	OIL SEAL, 14X22X4	CHAPA RET. ACEITE 14X22X4	
17	523.57250	PTO SHAFT	PENO MANDO TDF	
18	551.42076	KNOB	POMO	
19	552.48379	PTO ARTICULATION	MANGUETA T.D.F.	
20	552.57249	SPEED ARTICULATION, 716, 720, 730	MANGUETA TDF 716, 720, 730	
21	552.57313	PTO LOCKOUT RING	ANILLO CERRAR LA PUERTA T.D.F.	
22	552.57321	PTO STOP RING	ANILLO CONTRASTE T.D.F.	
23	561.57271	SPEED CONTROL LEVER	PALANCA CAMBIO	
24	561.57274	REVERSE BRACKET	PALANCA INVERT.	
25	561.57275	SPEED CONTROL ROD, RECOIL START	TIRANTE MANDOS MC.	
26	561.57276	SPEED CONTROL ROD, ELECTRIC START	TIRANTE MANDOS MC. ELECTRIC START	
27	561.57282	PTO CONTROL ROD		
28	561.57323	PTO CONTROL LEVER	PALANCA MANDO TDF	
29	580.43176	SPRING	MUELLE	
30	580.57232	SPRING	MUELLE	
31	580.57273	SPRING	MUELLE	
32	590.56900	HANDLE BAR SUPPORT	SOPORTE MANILLAR	
33	590.56905	HANDLE BAR ANCHOR	ATAQUE MANILLAR	
34	590.57231	GEAR SELECTOR, 716, 720, 730	SELECTOR MARCHAS, 716, 720, 730	
35	590.57304	SPEED CONTROL LEVER, 716, 720, 730	PALANCA MANDO, 716, 720, 730	

REVISED 03/05/02



ID	PARTNO	DESCRIPTION	DENOMINACION	NOTES
36	590.57319	REVERSE LEVER	PALANCE INVERT.	

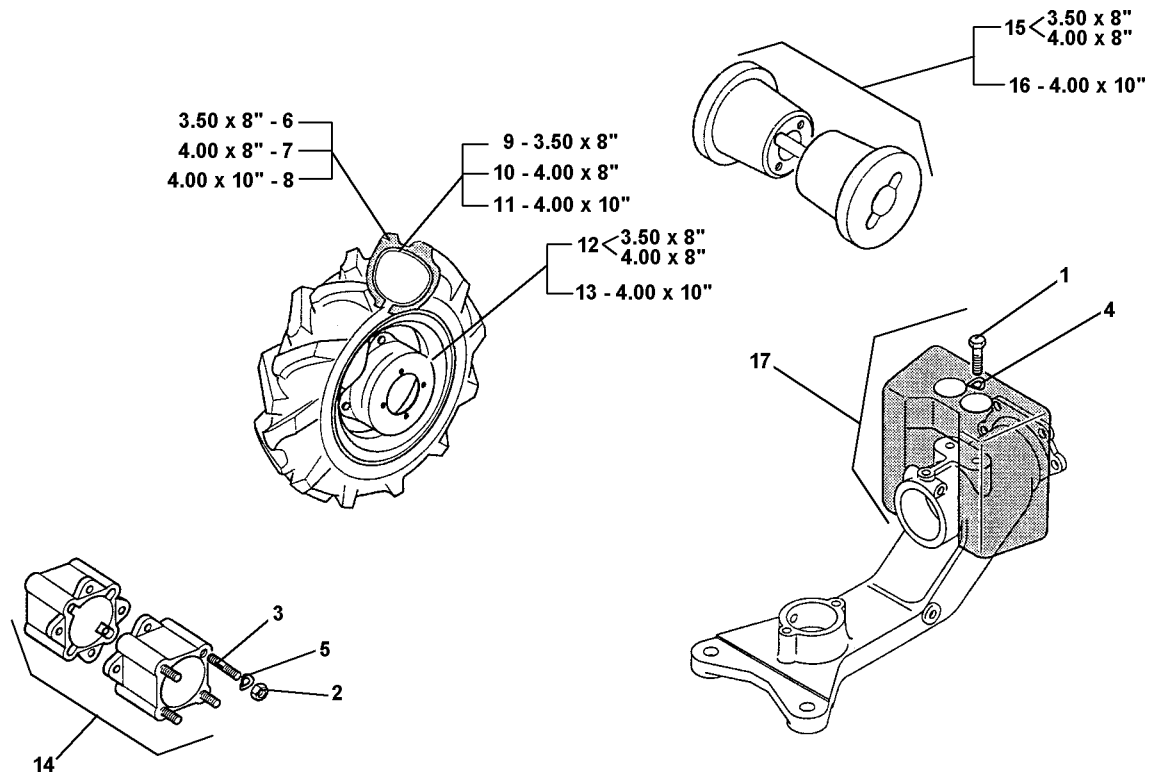
# 730

# Wheels

## Serial Number Range 100000 - -----

# 09.00

REVISED 03/05/02



ID	PARTNO	DESCRIPTION	DENOMINACION	NOTES
1	311.12151	SCREW, M8X25	TORNILLO M8X25	
2	312.11100	NUT, M10	TUERCA M10	
3	313.12102	STUD, M10X40X22X14	PRISIONERO, M10X40X22X14	
4	314.23084	WASHER, M8.4	ARANDELA M8.4	
5	314.23105	WASHER, LOCK, 10.5	ARANDELA DE RES. M10.5	
6	391.13502	TIRE 3.50X8" TRACTOR	CUBIERTA DE NEUMATICO 3.5X8	
7	391.14008	TIRE 4.00X8" TRACTOR	CUBIERTA DE NEUMATICO	
8	391.14010	TIRE 4.00X10" TRACTOR	CUBIERTA TM 4.00X10	
9	394.13502	TUBE 3.50X8"	CAMARA DE AIRE 3.50X8	
10	394.14008	TUBE 4.00X8"	CAMARA 4.00X8	
11	394.14010	TUBE 4.00X10"	CAMARA 4.00X10	
12	580.43250	WHEEL DISC, 3.50X8" & 4.00X8"	RUEDA EN DISCO, 3.50X8 & 4.00X8	
13	580.48330	RIM, 4.00X10"	LLANTA 10"	
14	922.43685	WHEEL SPACERS, FIXED	SEPARADOR RUEDA	
15	922.43686	WHEEL WEIGHTS 48#	PESAS, 48#	
16	922.48715	WHEEL WEIGHTS 66#	PESAS, 66#	
17	922.48923	CUTTER BAR WEIGHT, 26#	PESA POR BARRA DE CORTE	