



---

A M E R I C A

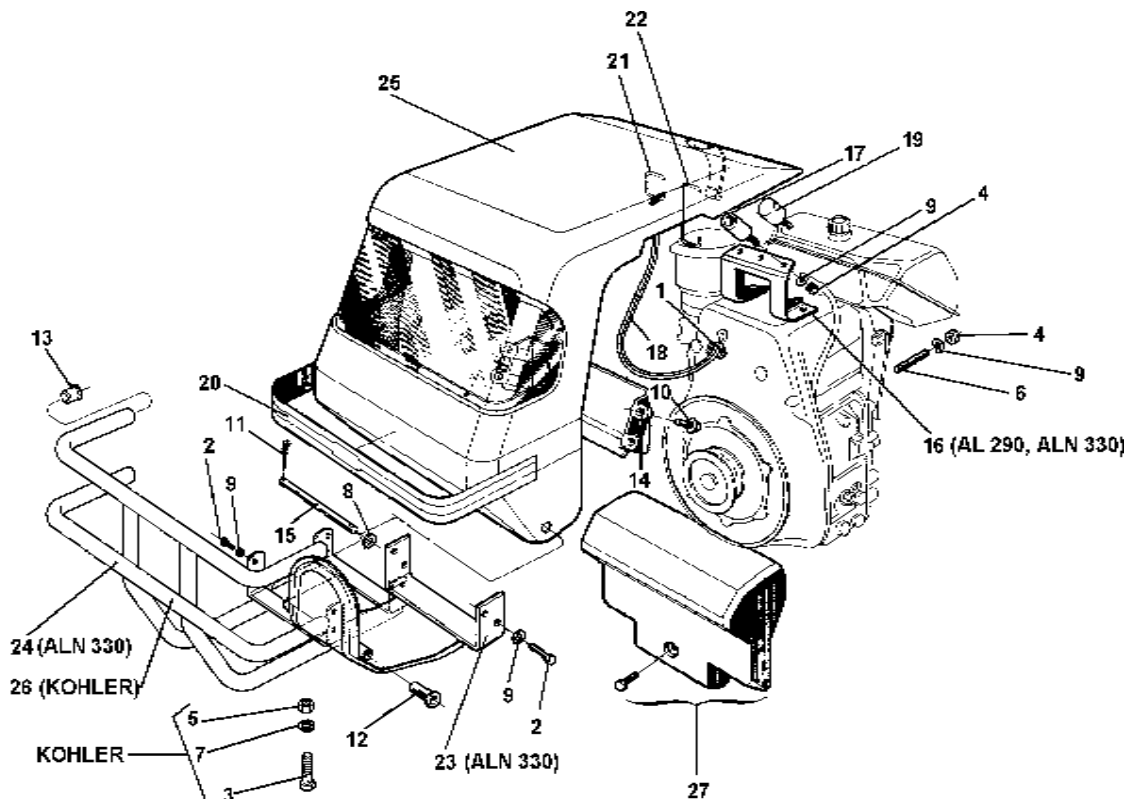
---

# 725

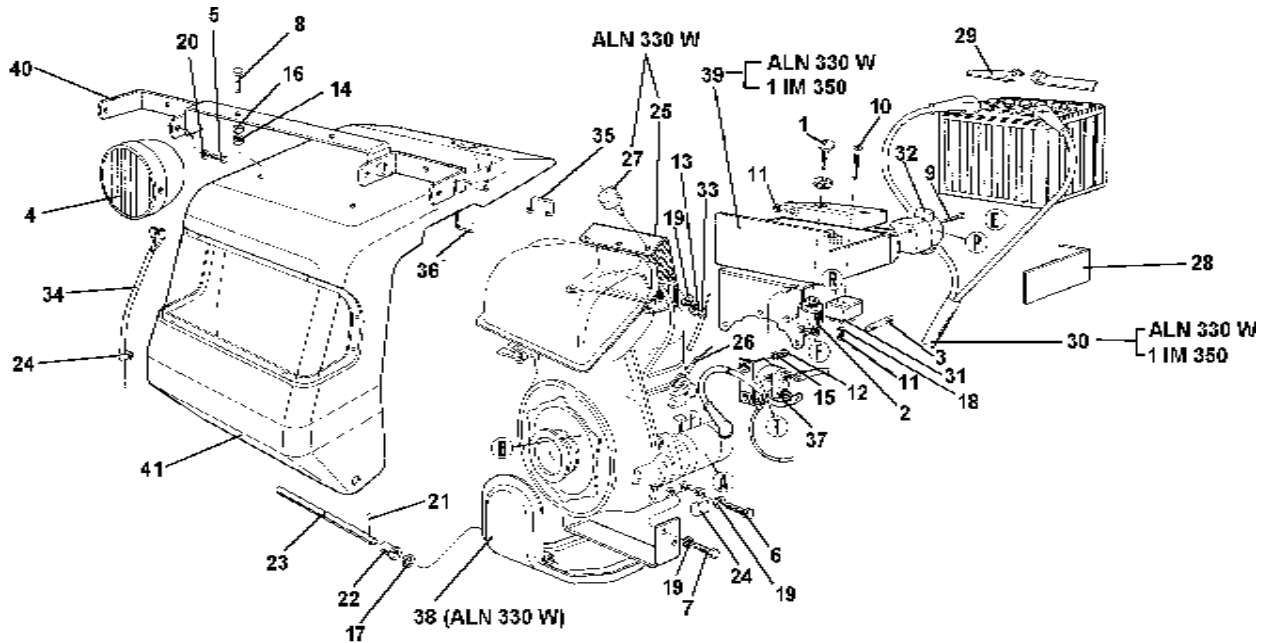
# Engine Hood

Serial Number Range  
64757 - -----

# 01.00

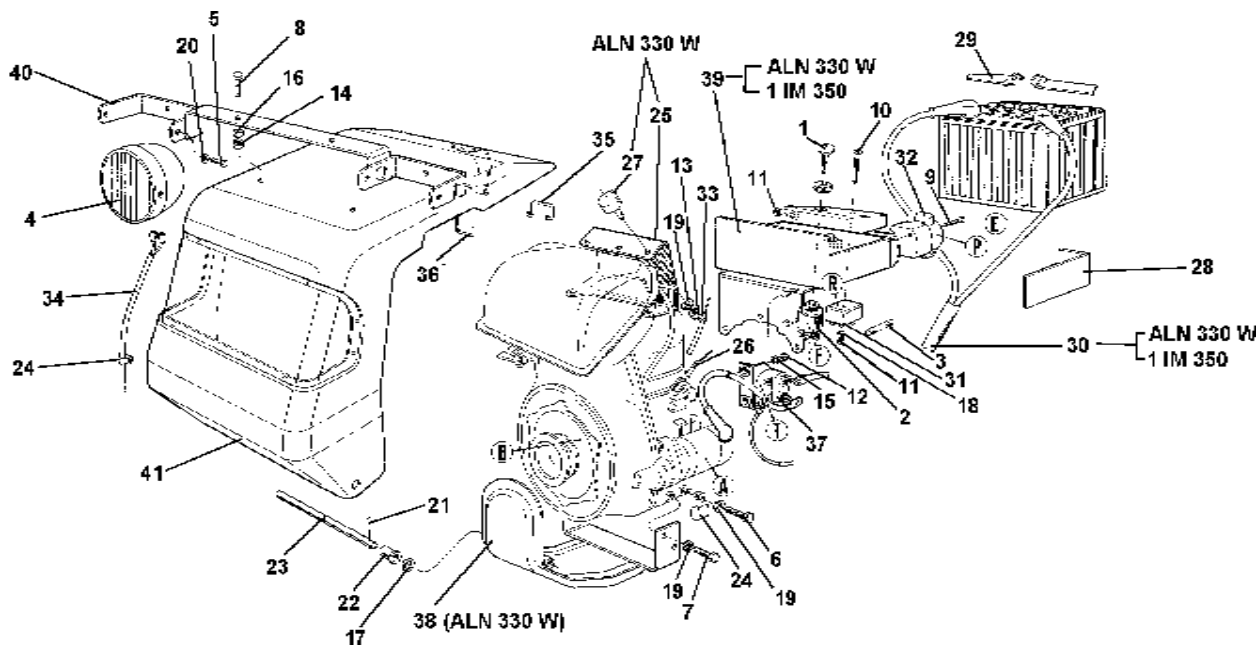


ID	PARTNO	DESCRIPTION	DENOMINACION	NOTES
1	300.00021	CLAMP, CABLE 3/16	MORDAZA PARACABLE 3/16	
2	311.11151	SCREW M8 X 16	TORNILLO M8 X 16	
3	311.12160	SCREW M8 X 55	TORNILLO M8 X 55	
4	312.11080	NUT M8	TUERCA M8	
5	312.41080	WASHER, LOCK 8.4	ARANDELA DE RES. 8.4	
6	313.12088	STUD M8 X 40 X 14 X 14	PRISIONERO M8 X 40 X 14 X 14	
7	314.11105	FLAT WASHER 10.5 X 21	ARANDELA PLANA 10.5 X 21	
8	314.11084	WASHER, FLAT 8.4	ARANDELA PLANA 8.4	
9	314.23084	WASHER, LOCK 8.4	ARANDELA DE RES. 8.4	
10	315.11098	SCREW AF 6.3 X 16	TORNILLO AF 6.3 X 16	
11	341.10030	PIN, COTTER A 3 X 20 UNI 1336	PASADOR A 3 X 20 UNI 1336	
12	551.42109	BUSH	CASQUILLO	
13	552.48241	CAP D-25	TAPON D-25	
14	552.48655	KIT TOOL BOX	CAJA HERRAMIENTAS	
15	561.42110	PIN, COUPLING	PERNO ACOPLAMIENTO	
16	561.43765	COUPLING, TOP, AL290/ALN330WB	FIJACION SUP.CAPO AL290/ALN330WB	
17	580.42111	BUFFER, HOOD COUPLING	TAMPON ACOPLAMIENTO CAPO	
18	580.42112	CABLE, HOOD	CABLE CAPO	
19	580.42131	RUBBER PAD	TAMPON GOMA	
20	580.43277	ADHESIVE STRIP COVER 725	PLETINA AUTOADHESIVA CAPO 725	
21	580.48673	SHORT HOOK	ENGANCHE	
22	580.48674	LONG HOOK	ENGANCHE	
23	590.43767	CPLG, LWR MTR AL 290 LA 300	ENGANCHE INF. X MOT. AL290 LA 300	
24	590.48236	BUMPER	PARACHOQUES	
25	592.43274	COVER	COFRE	
26	922.48219	BUMPER	PARACHOQUES	
27	922.48719	FRONT WEIGHT ASBY., (35#)(EA)	PESA, ANTERIOR, (35#)(EA)	



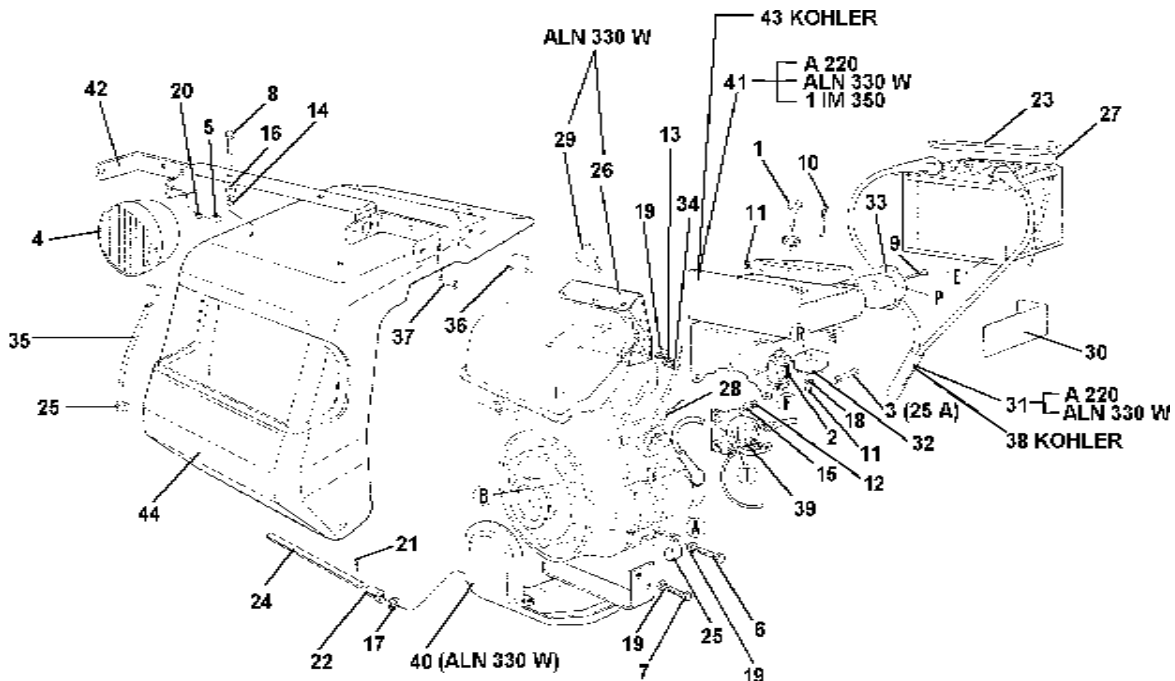
CIRCLED LETTERS REFER TO SCHEMATIC 03.00

ID	PARTNO	DESCRIPTION	DENOMINACION	NOTES
1	300.00276	KEY	LLAVE	
2	300.00277	SWITCH	INTERRUPTOR	
3	300.00551	FUSE 6 X 25 25A	FUSIBLE	
4	300.00701	LIGHT	FARO	
5	311.11091	SCREW TE M6 X 14	TORNILLO TE M6 X 14	
6	311.11150	SCREW TE M8 X 12	TORNILLO TE M8 X 12	
7	311.11151	SCREW M8 X 16	TORNILLO M8 X 16	
8	311.12151	SCREW M8 X 25	TORNILLO M8 X 25	
9	311.52043	SCREW TCCEI M4 X 30	TORNILLO TCCEI M4 X 30	
10	311.61043	SCREW TC M4 X 30 UNI 6107	TORNILLO TC M4 X 30 UNI 6107	
11	312.11040	NUT M4	TUERCA M4	
12	312.11060	NUT M6	TUERCA M6	
13	312.11080	NUT M8	TUERCA M8	
14	312.41080	NUT, SELF LOCKING M8	TUERCA AUTOBLOC. M8	
15	314.11064	WASHER, FLAT 6.4	ARANDELA PLANA 6.4	
16	314.11090	FLAT WASHER 9 X 24 UNI 6593	ARANDELA PLANA 9 X 24 UNI 6593	
17	314.11105	FLAT WASHER 10.5 X 21	ARANDELA PLANA 10.5 X 21	
18	314.23043	LOCK WASHER B 4.3	ARANDELA DE RES. B 4.3	
19	314.23084	WASHER, LOCK 8.4	ARANDELA DE RES. 8.4	
20	314.31064	WASHER, LOCK AZ 6.4 DIN 6798	ARANDELA DE RES. AZ 6.4 DIN 6798	
21	341.10030	PIN, COTTER A 3 X 20 UNI 1336	PASADOR A 3 X 20 UNI 1336	
22	551.42109	BUSH	CASQUILLO	
23	561.42110	PIN, COUPLING	PERNO ACOPLAMIENTO	
24	561.42828	CLAMP ENGINE	BRIDA MOTOR	
25	561.48030	CONNECT. UPPER ELECTRIC ST.	FIJACION SUP. ARR. ELECTR.	
26	580.26224	CABLE & SHEATH, ACCEL.LOMBAR	CABLE VAINA GAS LOMBARDINI	
27	580.42131	RUBBER PAD	TAMPON GOMA	
28	580.43032	ANTISHOCK BAT	CAUCHO ANTI-COLPES	
29	580.43033	BATTERY STRAP	BANDA GOMA CON GANCIOS	
30	580.43034	ELECTRIC START CABLES MC 715	CABLEADO ARRANQUE ELECT MC715	
31	580.43036	RECTIFIER	ENDEREZADOR	
32	580.45826	7-POLE SOCKET	ENCHUFE 7 POLOS	
33	580.48008	SHEATH CABLE	FILO VAINA	
34	580.48121	COVER CABLES	CABLEADO CAPO	
35	580.48659	ELECTRIC STARTER HOOK	GANCHO ARRANQUE ELECTRICO	



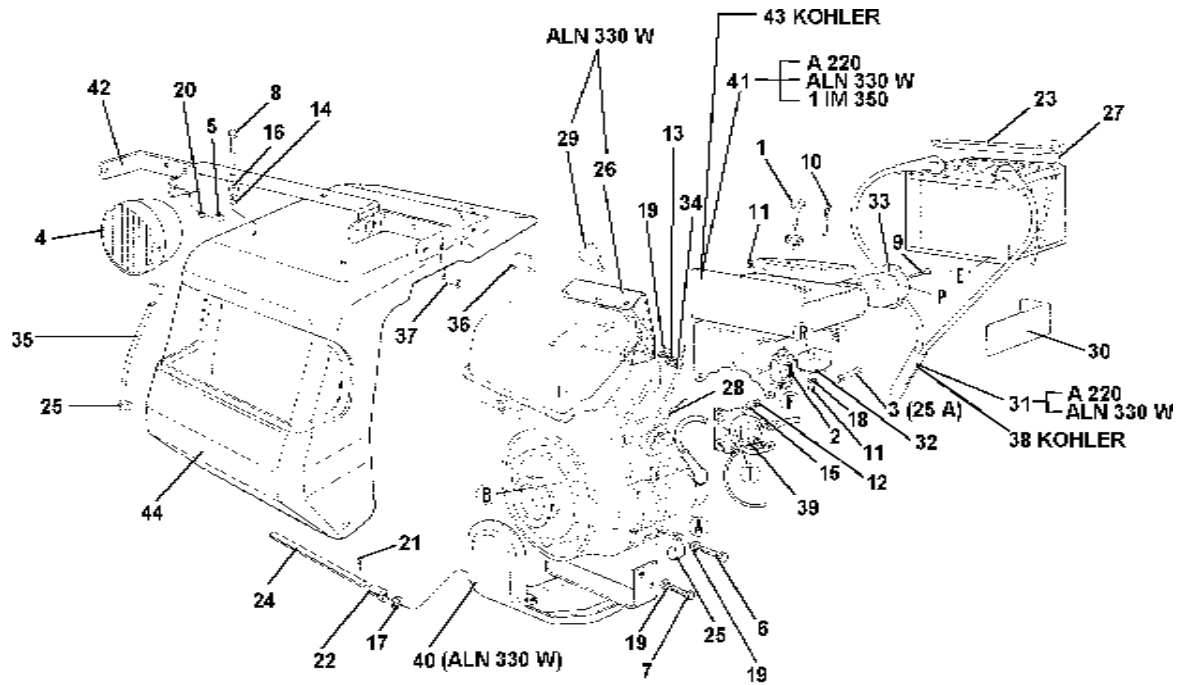
CIRCLED LETTERS REFER TO SCHEMATIC 03.00

ID	PART NO	DESCRIPTION	DENOMINACION	NOTES
36	580.48674	LONG HOOK	ENGANCHE	
37	581.00052	BOSCH RELAY 0332002160	RELAIS BOSCH	
38	590.43023	HOOD LOWER COUPLING	ACOPLAMIENTO INFERIOR CAPO	
39	590.48042	SUPPORT BATTERY	SOPORTE BATERIA	
40	590.48117	LIGHT SUPPORT	SOPORTE FANALES	
41	592.43274	COVER	COFRE	



**CIRCLED LETTERS REFER TO SCHEMATIC 03.00**

ID	PARTNO	DESCRIPTION	DENOMINACION	NOTES
1	300.00276	KEY	LLAVE	
2	300.00277	SWITCH	INTERRUPTOR	
3	300.00551	FUSE 6 X 25 25A	FUSIBLE	
4	300.00701	LIGHT	FARO	
5	311.11091	SCREW TE M6 X 14	TORNILLO TE M6 X 14	
6	311.11150	SCREW TE M8 X 12	TORNILLO TE M8 X 12	
7	311.11151	SCREW M8 X 16	TORNILLO M8 X 16	
8	311.12151	SCREW M8 X 25	TORNILLO M8 X 25	
9	311.52043	SCREW TCCEI M4 X 30	TORNILLO TCCEI M4 X 30	
10	311.61043	SCREW TC M4 X 30 UNI 6107	TORNILLO TC M4 X 30 UNI 6107	
11	312.11040	NUT M4	TUERCA M4	
12	312.11060	NUT M6	TUERCA M6	
13	312.11080	NUT M8	TUERCA M8	
14	312.41080	NUT, SELF LOCKING M8	TUERCA AUTOBLOC. M8	
15	314.11064	WASHER, FLAT 6.4	ARANDELA PLANA 6.4	
16	314.11090	FLAT WASHER 9 X 24 UNI 6593	ARANDELA PLANA 9 X 24 UNI 6593	
17	314.11105	FLAT WASHER 10.5 X 21	ARANDELA PLANA 10.5 X 21	
18	314.23043	LOCK WASHER B 4.3	ARANDELA DE RES. B 4.3	
19	314.23084	WASHER, LOCK 8.4	ARANDELA DE RES. 8.4	
20	314.31064	WASHER, LOCK AZ 6.4 DIN 6798	ARANDELA DE RES. AZ 6.4 DIN 6798	
21	341.10030	PIN, COTTER A 3 X 20 UNI 1336	PASADOR A 3 X 20 UNI 1336	
22	551.42109	BUSH	CASQUILLO	
23	561.19937	BATTERY BRACKET	SOPORTE PARA BATERIA	
24	561.42110	PIN, COUPLING	PERNO ACOPLAMIENTO	
25	561.42828	CLAMP ENGINE	BRIDA MOTOR	
26	561.48030	CONNECT. UPPER ELECTRIC ST.	FIJACION SUP. ARR. ELECTR.	
27	561.49590	BATTERY TIEROD	TIRANTE PARA BATERIA	
28	580.26224	CABLE & SHEATH, ACCEL.LOMBAR	CABLE VAINA GAS LOMBARDINI	
29	580.42131	RUBBER PAD	TAMPON GOMA	
30	580.43032	ANTISHOCK BAT	CAUCHO ANTI-COLPES	
31	580.43034	ELECTRIC START CABLES MC 715	CABLEADO ARRANQUE ELECT MC715	
32	580.43036	RECITIFIER	ENDEREZADOR	
33	580.45826	7-POLE SOCKET	ENCHUFE 7 POLOS	
34	580.48008	SHEATH CABLE	FILO VAINA	
35	580.48121	COVER CABLES	CABLEADO CAPO	

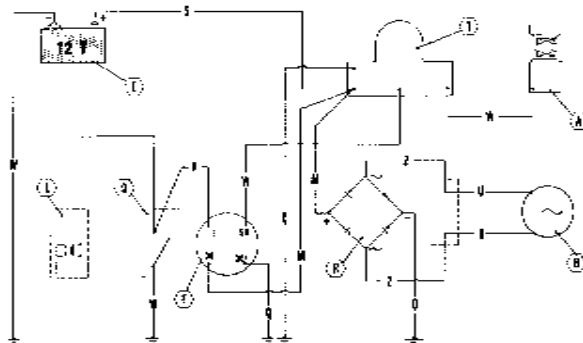


CIRCLED LETTERS REFER TO SCHEMATIC 03.00

ID	PARTNO	DESCRIPTION	DENOMINACION	NOTES
36	580.48659	ELECTRIC STARTER HOOK	GANCHO ARRANQUE ELECTRICO	
37	580.48674	LONG HOOK	ENGANCHE	
38	580.49790	BATTERY CABLES	CABLEADO ARRANQUE ELECT	
39	581.00052	BOSCH RELAY 0332002160	RELAIS BOSCH	
40	590.43023	HOOD LOWER COUPLING	ACOPLAMIENTO INFERIOR CAPO	
41	590.48042	SUPPORT BATTERY	SOPORTE BATERIA	
42	590.48117	LIGHT SUPPORT	SOPORTE FANALES	
43	590.49763	KOHLER BATTERY SUPPORT	SOPORTE BATERIA	
44	592.43274	COVER	COFRE	

**ELECTRIC STARTER WITHOUT LIGHTS**  
**ARRANQUE SIN FANALES**

11M 350, ALN 330 W, AT 330



- A: STARTER - MOT. DE ARRANQUE
- B: GENERATOR - GENERADOR
- E: BATTERY - BATERIA
- F: SWITCH - INTERRUPTOR
- I: LIGHTS - FAROS
- L: POINTS - PLATINOS
- O: MOTOR STOP - MOTOR STOP
- R: RECTIFIER - ENDEREZADOR
- T: REMOTE CONTR. SWITCH - TELERUPTOR

- Q: YELLOW GREEN - AMARILLO VERDE
- M: RED - ROJO
- N: GREEN - VERDE
- S: BLUE - AZUL
- U: YELLOW - AMARILLO
- V: WHITE - BLANCO
- Z: BROWN - CASTAÑO
- Y: GREY - GRIS
- W: BLACK - NEGRO

ID	PARTNO	DESCRIPTION	DENOMINACION	NOTES

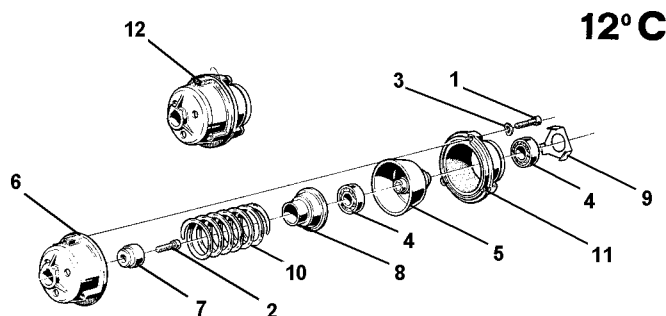
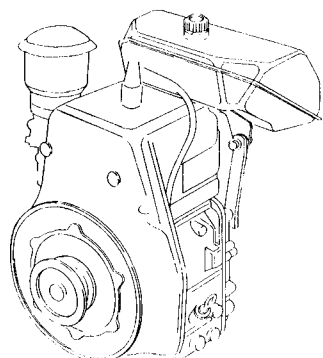
# 725

# Cone Clutch

# Serial Number Range 68428 - 69679

# 04.00

REVISED 01/30/02



**WHOLE CLUTCH REPLACEMENT  
USE PART NUMBER 592.48106**

ID	PARTNO	DESCRIPTION	DENOMINACION	NOTES
1	311.52059	SCREW M6 X 35	TORNILLO M6 X 35	<p>THE ORIGINAL CONE CLUTCH WAS A 18 CLUTCH THAT HAS BECOME OBSOLETE. THIS CLUTCH IS NOT ILLUSTRATED. REPLACE WITH CLUTCH PART NUMBER 592.48106. SEE SERVICE BULLETIN 20001 FOR IDENTIFICATION.</p> <p>THE 12C CONE CLUTCH CAN BE IDENTIFIED BY THE THREE BOLTS HOLDING THE CLUTCH TOGETHER (ITEM #1). THESE BOLTS ARE POINTED TOWARDS THE ENGINE.</p> <p>PLEASE NOTE THAT DURING S/N RANGES 68724 - 69499 EITHER THE 12C OR THE 12L CLUTCH COULD HAVE BEEN USED.</p>
2	311.52085	SCREW TE CE M8 X 25	TORNILLO TC CE M8 X 25	
3	314.22064	WASHER, LOCK 6.4	ARANDELA DE RES. 6.4	
4	371.12170	BEARING 17 X 40 X 12 6203 2RS	COJINETE 17 X 40 X 12 6203 2RS	
5	521.48095	CONE, CLUTCH	EMBRAGUE CONO	
6	531.43108	BELL, CLUTCH SPRING AL 290	CAMPANA MUELLE EMBR. AL 290	
7	561.43121	CENTERING	PASTILLA CENTR.	
8	561.43122	BUSH, SPRING HOLDER	CASQUILLO SOPORTE MUELLE	
9	563.43106	BEARING PLATE	CHAPA SOBRE COJINETE	
10	580.43110	SPRING CLUTCH	EMBRAGUE MUELLE	
11	590.48092	CLUTCH RING	ANILLO EMBRAGUE	
12	592.48090	CLUTCH, REPLACED BY 592.48106	EMBRAGUE 12 GRAD.	

# 725

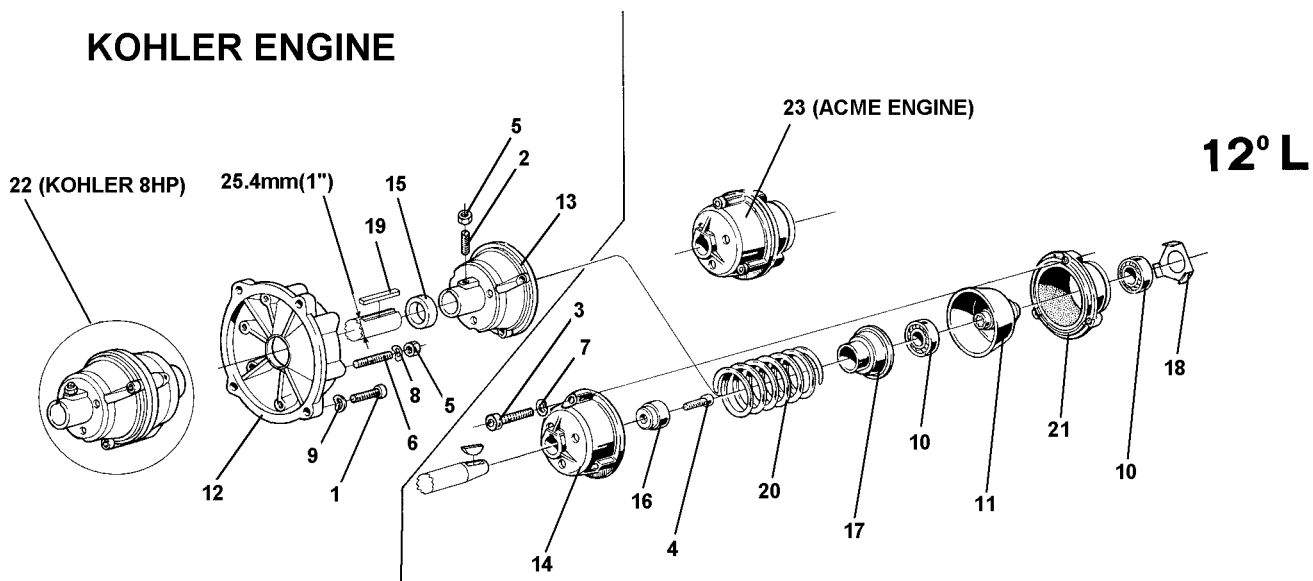
## Cone Clutch

Serial Number Range  
69680 - 84899

# 04.01

REVISED 01/30/02

### KOHLER ENGINE



ID	PARTNO	DESCRIPTION	DENOMINACION	NOTES
1	311.00015	SCREW 3/8 X 1	TORNILLO 3/8 X 1	<p>THE 12 L CONE CLUTCH CAN BE IDENTIFIED BY THE THREE BOLTS HOLDING THE CLUTCH TOGETHER (ITEM #2). THESE BOLTS ARE POINTED AWAY FROM THE ENGINE.</p> <p>* = PLEASE NOTE S/N FOR THIS ITEM            S/N 68724 - 69499 USES            311.52059            S/N 69500 - 85534 USES            311.52060</p>
2	311.00784	SCREW M8 X 20	TORNILLO M8 X 20	
3	*	SCREW TCCEI M6 X 30 UNI 5931	TORNILLO TC CEI M6 X 30 UNI 5931	
4	311.52085	SCREW TC CE M8 X 25	SCREW TC CE M8 X 25	
5	312.11080	NUT M8	TUERCA M8	
6	313.12088	STUD M8 X 40 X 14 X 14	PRISIONERO M8 X 40 X 14 X 14	
7	314.22064	WASHER, LOCK 6.4	ARANDELA DE RES. 6.4	
8	314.23084	WASHER, LOCK 8.4	ARANDELA DE RES. 8.4	
9	314.23105	WASHER, LOCK 10.5	ARANDELA DE RES. 10.5	
10	371.12171	BRNG SKF 17 X 40 X 12 6203 ST	COJINETE SKF 17 X 40 X 12 6203 ST	
11	521.48105	LONG CLUTCH CONE	CONO EMBRAGUE LARGO	
12	531.43011	BRIGGS STR/KOHLER FLANGE	BRICA MCT. BRIGGS STR/KOHLER	
13	531.43012	CLUTCH BELL	CAMPANA EMBRAGUE	
14	531.48107	LONG CLUTCH BELL	CAMPANA EMBRAGUE	
15	561.43005	SPACER	SEPARADOR	
16	561.43121	CENTERING	PASTILLA CENTR.	
17	561.43122	BUSH, SPRING HOLDER	CASQUILLO SOPORTE MUELLE	
18	563.43106	BEARING PLATE	CHAPA SOBRE COJINETE	
19	563.49782	KEY	LINGUETA	
20	580.43110	SPRING CLUTCH	EMBRAGUE MUELLE	
21	590.48102	LONG CLUTCH RING	ANILLO EMBRAGUE	
22	592.48088	CLUTCH	EMBRAGUE	
23	592.48106	FITTED LONG CLUTCH	EMBRAGUE LUNGO MONTADO	

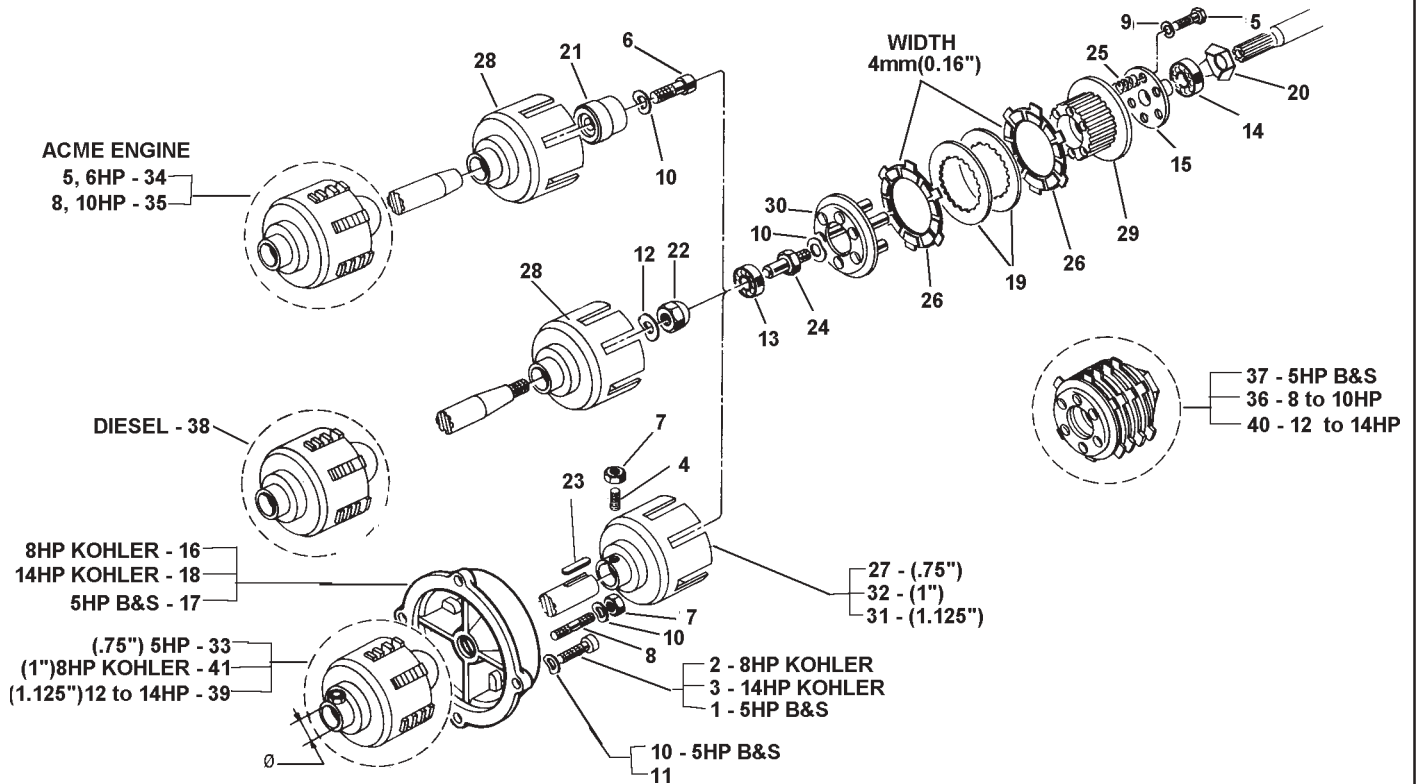
# 725

## Disc Clutch

Serial Number Range  
84900 - -----

# 05.00

REVISED 05/20/04



ID	PARTNO	DESCRIPTION	DENOMINACION	NOTES
1	311.00003	SCREW 5/16 X 7/8	TORNILLO TE 5/16 X 7/8 UNF 2A AC	
2	311.00015	SCREW 3/8 X 1	TORNILLO 3/8 X 1	
3	311.00024	SCREW	TORNILLO	
4	311.00781	SCREW M8 X 14	TORNILLO M8 X 14	
5	311.12051	SCREW	TORNILLO	
6	311.52085	SCREW M8 X 25	TORNILLO M8 X 25	
7	312.11080	NUT M8	TUERCA M8	
8	313.12088	STUD M8 X 40 X 14 X 14	PRISIONERO M8 X 40 X 14 X 14	
9	314.21062	SUPER WASHER	SUPER ARANDELA	
10	314.23084	WASHER, LOCK 8.4	ARANDELA DE RES. 8.4	
11	314.23105	WASHER, LOCK 10.5	ARANDELA DE RES. 10.5	
12	314.23170	WASHER, LOCK 17	ARANDELA DE RES. 17	
13	371.12099	BEARING	COJINETE	
14	371.12171	BEARING 17 X 40 X 12	COJINETE 17 X 40 X 12	
15	523.49818	CLUTCH FLANGE	CAMPANA EMRAGUE	
16	531.49819	FLANGE FOR KOHLER ENGINE 8HP	BRIDA PARA MOTOR KOHLER 8HP	
17	532.47468	FLANGE FOR 5HP B&S	BRIDA PARA MOTOR B&S 5HP	
18	532.49783	FLANGE FOR KOHLER ENGINE 14HP	BRIDA PARA MOTOR KOHLER 14HP	
19	561.49820	INSIDE CLUTCH DISC	DISCO INTERIOR EMBRAGUE	
20	563.43106	BEARING PLATE	CHAPA SOBRE COJINETE	
21	563.47472	BEARING HOLDER BUSHING	CASQUILLO PORTA-COJINETE	
22	563.49562	SPECIAL NUT	TUERCA ESPECIAL	
23	563.49782	KEY	LINGUETA	
24	563.49816	SCREW 9 X 1	TORNILLO 9 X 1	
25	580.49815	DISC CLUTCH SPRING	MUELLE PARA EMBRAGUE A DISCOS	24 - ON SOME LOW SERIAL NUMBER UNITS THIS BOLT IS A 8 X 1.25 PART NUMBER 563.49558. PLEASE VERIFY BEFORE ORDERING
26	580.49821	OUTSIDE DISC	DISCO	
27	590.47466	CLUTCH BELL	CAMPANA EMBRAGUE	
28	590.49803	CLUTCH BELL	CAMPANA EMBRAGUE	
29	590.49807	CLUTCH HUB	CUBO EMBRAGUE	
30	590.49810	CLUTCH BOTTOM	CASQUILLO EMBRAGUE	
31	590.49813	KOHLER CLUTCH BELL	CAMPANA EMBRAGUE KOHLER	
32	590.49823	CLUTCH BELL	CAMPANA EMBRAGUE	
33	592.47465	DISC CLUTCH ASSEMBLY	EMBRAGUE A DISCOS	
34	592.47469	DISC CLUTCH ASSEMBLY	EMBRAGUE A DISCOS	34- REPLACED BY 592.47884
35	592.47470	DISC CLUTCH ASSEMBLY	EMBRAGUE A DISCOS	

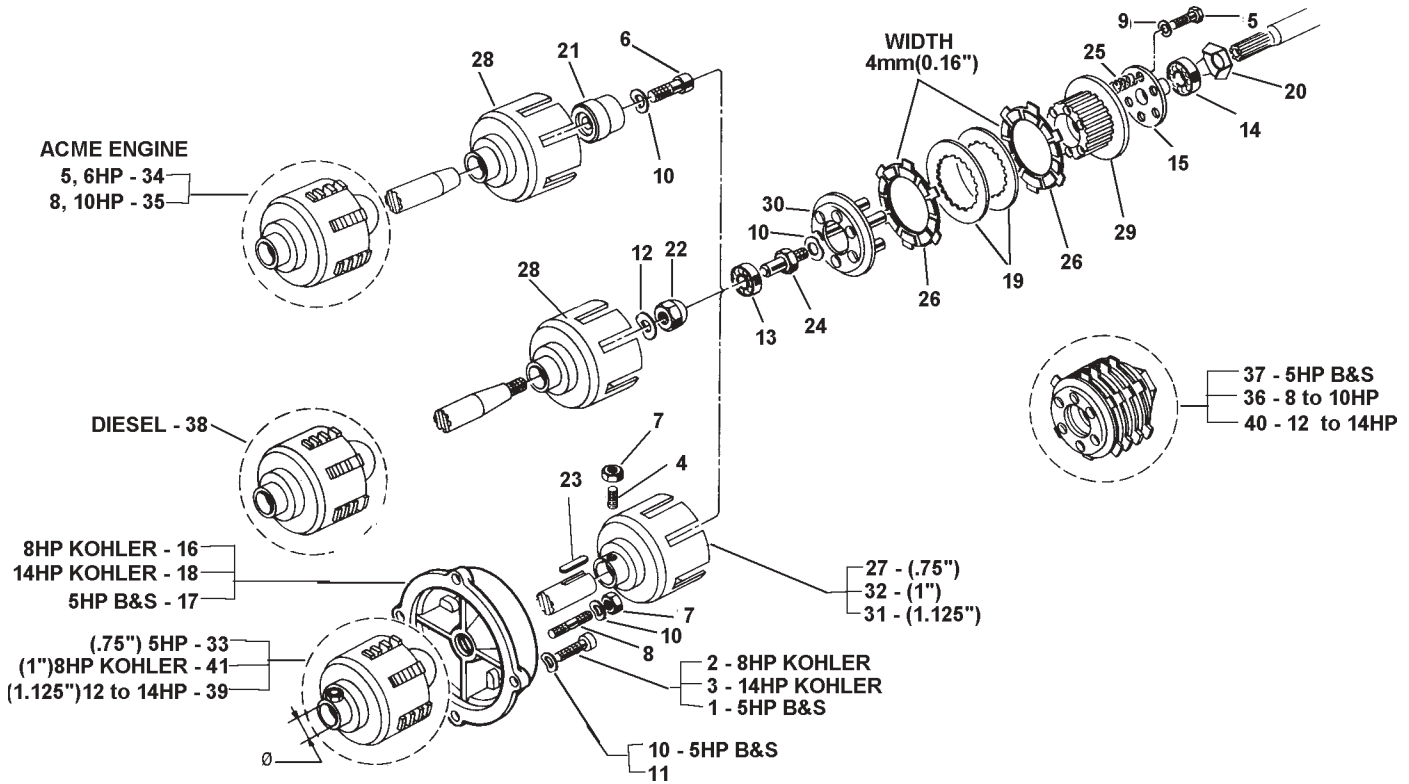
# 725

## Disc Clutch

Serial Number Range  
84900 - -----

# 05.00

REVISED 05/20/04



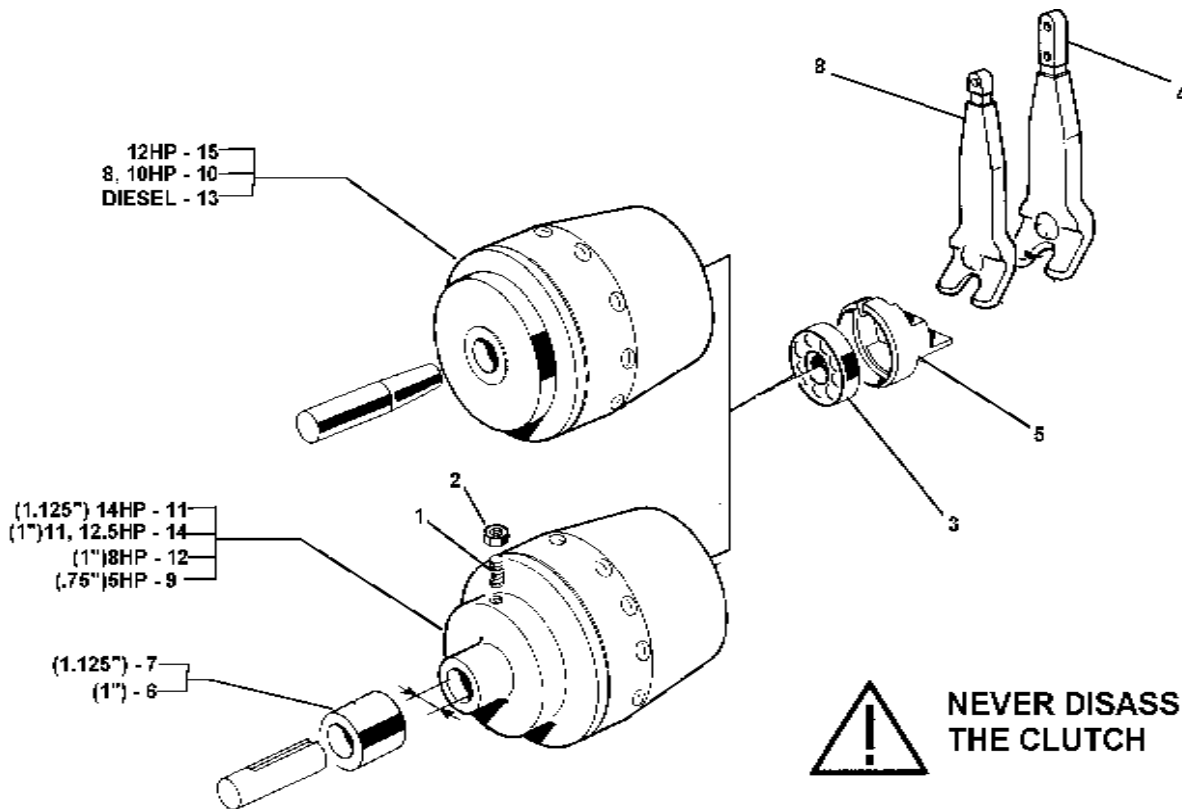
ID	PARTNO	DESCRIPTION	DENOMINACION	NOTES
36	592.47471	DISC ASSEMBLY	DISCOS EMBRAGUE	
37	592.47475	DISC ASSEMBLY	DISCOS EMBRAGUE	
38	592.49800	DISC CLUTCH ASSEMBLY		38- REPLACED BY 592.47924
39	592.49801	DISC CLUTCH ASSEMBLY		39- REPLACED BY 592.47906
40	592.49802	DISC ASSEMBLY	DISCOS EMBRAGUE	
41	592.49809	DISC CLUTCH ASSEMBLY		41- REPLACED BY 592.47907

# 725

## H.D. Cone Clutch

Serial Number Range  
All Units With H.D. Clutch

# 06.00



**NEVER DISASSEMBLE  
THE CLUTCH**

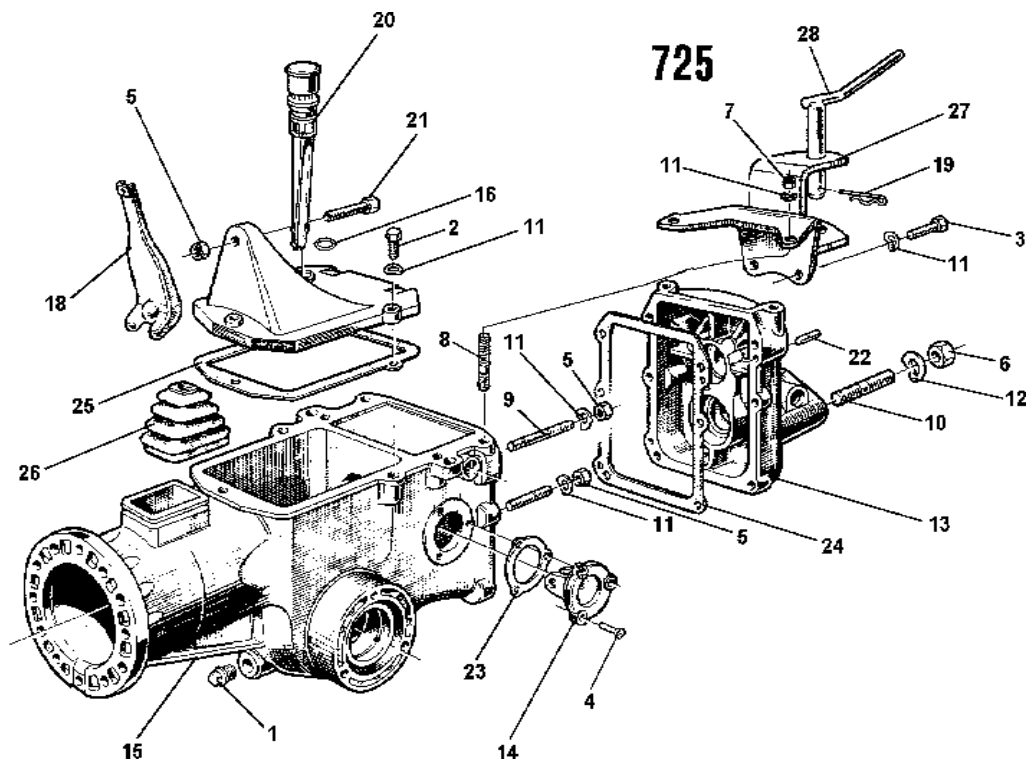
ID	PARTNO	DESCRIPTION	DENOMINACION	NOTES
1	311.00786	SET SCREW M8 X 30	TORNILLO M8 X 30 UNI 5923	
2	312.11080	NUT M8	TUERCA M8	
3	371.12173	BEARING 17 X 40 X 12	COJINETE 17 X 40 X 12	
4	522.47874	CLUTCH LEVER - RECOIL START	PALANCA EMBRAGUE	
5	524.47896	CONE PUSHER	EMPUJADOR CONO	
6	561.47480	SPACER 12.5HP VANGARD	SEPARADOR	
7	561.47849	SPACER	SEPARADOR	
8	562.47899	CLUTCH LEVER - ELECTRIC START	PALANCA EMBRAGUE	
9	592.43150	HEAVY DUTY CLUTCH	EMBRAGUE A CONICO	
10	592.47884	HEAVY DUTY CLUTCH	EMBRAGUE A CONICO	
11	592.47906	HEAVY DUTY CLUTCH	EMBRAGUE A CONICO	
12	592.47907	HEAVY DUTY CLUTCH	EMBRAGUE A CONICO	
13	592.47924	HEAVY DUTY CLUTCH	EMBRAGUE A CONICO	
14	592.47970	HEAVY DUTY CLUTCH	EMBRAGUE A CONICO	
15	592.47971	HEAVY DUTY CLUTCH	EMBRAGUE A CONICO	

# 725

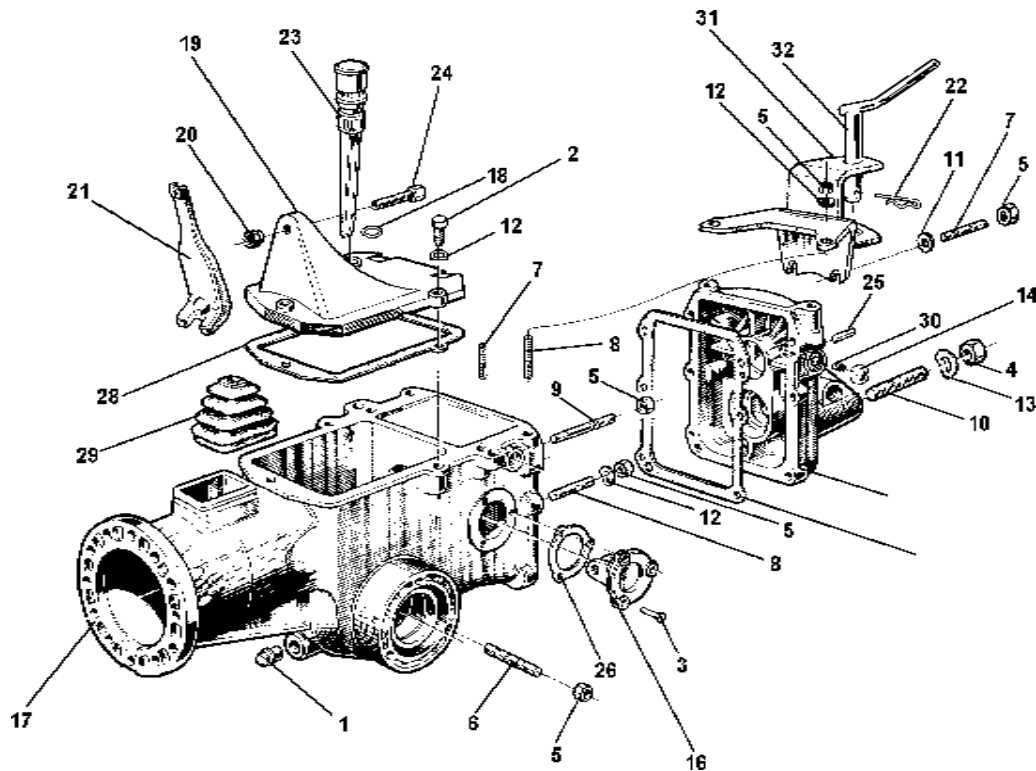
## Gearbox

Serial Number Range  
40000 - 64756

# 07.00

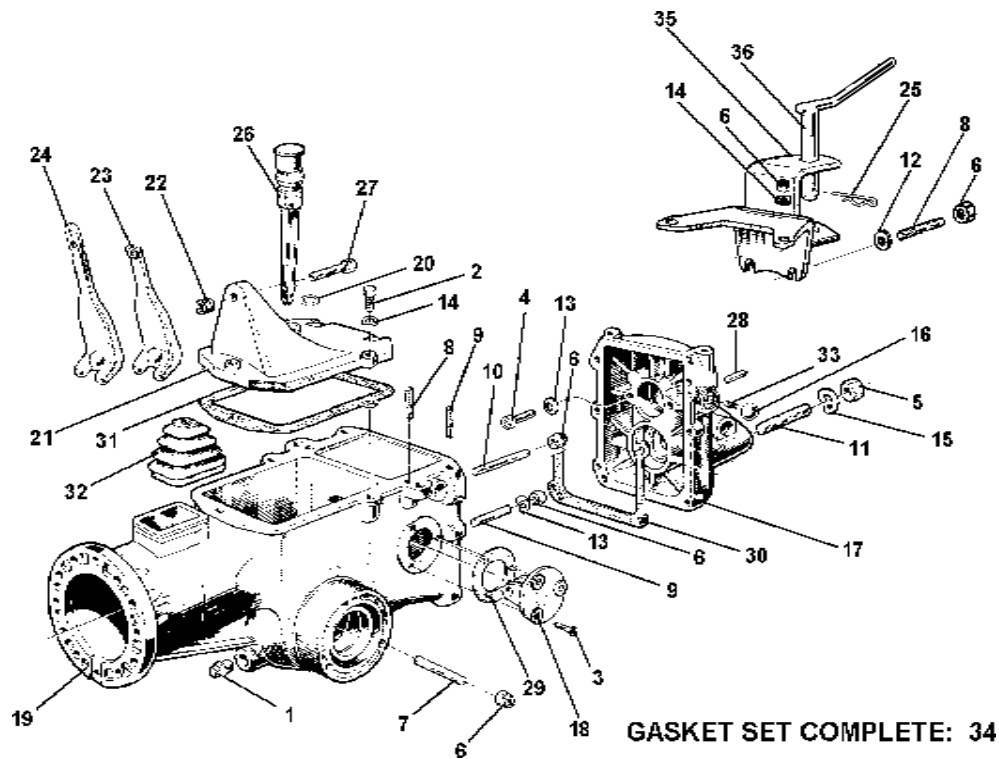


ID	PARTNO	DESCRIPTION	DENOMINACION	NOTES
1	300.40001	PLUG 1/4 GAS	TAPON 1/4 GAS	
2	311.11153	SCREW TE M8 X 25	TORNILLO TE M8 X 25	
3	311.12151	SCREW M8 X 25	TORNILLO M8 X 25	
4	311.31061	SCREW TSV M6 X 16 UNI 260-S	TORNILLO TSV M6 X 16 UNI 260-5S	
5	312.11080	NUT M8	TUERCA M8	
6	312.21121	STUD M8 X 38 X 14 X 20	PRISIONERO M8 X 38 X 14 X 20	
7	312.41080	NUT, SELF LOCKING M8	TUERCA AUTOBLOC. M8	
8	313.12083	STUD M8 X 46 X 16 X 16	PRISIONERO M8 X 46 X 16 X 16	
9	313.12084	STUD M8 X 58 X 16 X 16	PRISIONERO M8 X 58 X 16 X 16	
10	313.12124	STUD 56XM12X1.25X26XM12X228G	PRIS. 56XM12X1.25X26XM12X228G	
11	314.23084	WASHER, LOCK 8.4	ARANDELA DE RES. 8.4	
12	314.23130	WASHER, LOCK 13	ARANDELA DE RES. 13	
13	531.43056	HOUSING COVER	TAPA CARTER	
14	531.43068	FLANGE, REVERSE SPEED	BRIDA MARCHA ATRAS	
15	531.48055	CASING 5 SPEEDS GEARBOX	CAJA 5 MARCHAS	
16	551.02678	RUBBER RING	ANILLO GOMA	
17	552.43114	COVER	TAPA	
18	562.43100	CLUTCH LEVER	PALANCA EMBRAGUE	
19	580.02052	PIN	CLAVITA	
20	580.02666	CAP, WITH MEASURING ROD	VARILLA NIVEL ACEITE CON TAPON	
21	580.42202	SCREW ADJUSTING M8	TORNILLO REGULACION M8	
22	580.43053	PARALLEL PIN D 6 X 20	ESPINA CIL. D 6 X 20	
23	580.43069	GASKET	GUARNICION	
24	580.43094	GASKET, COVER	GUARNICION TAPA	
25	580.43117	GASKET, COVER	GUARNICION TAPA	
26	580.43129	BELLOWS	FUELLE	
27	590.48695	TOW COUPLING	ATAQUE TRAINO	
28	590.48697	PIN	PERNO	

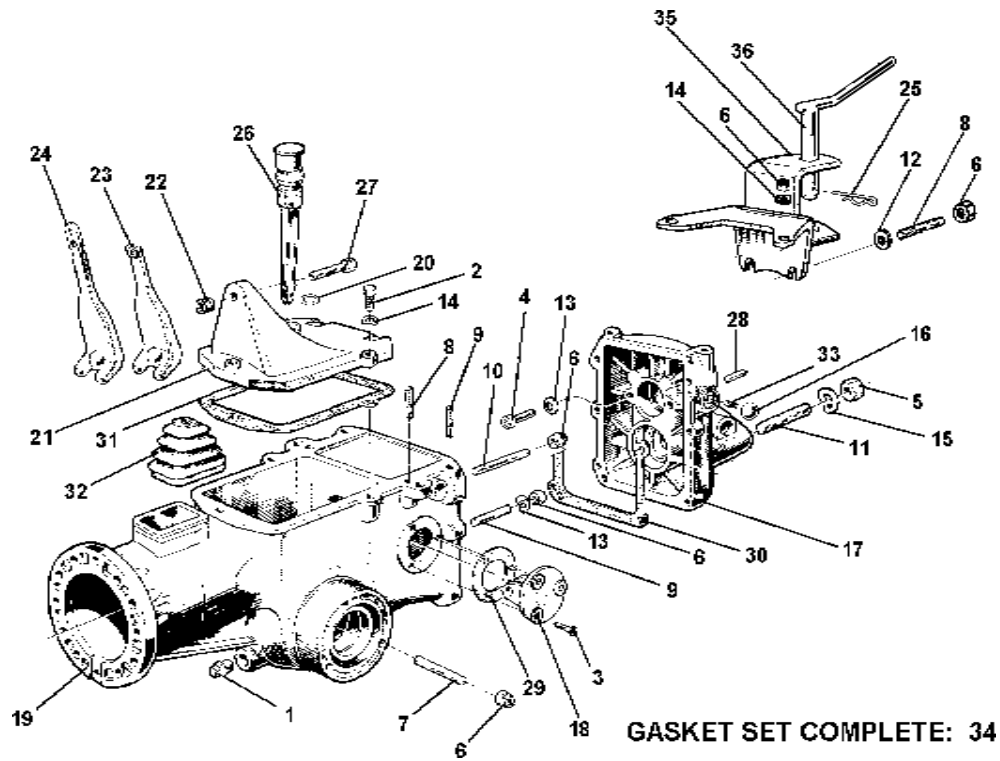


ID	PARTNO	DESCRIPTION	DENOMINACION	NOTES
1	300.40001	PLUG 1/4 GAS	TAPON 1/4 GAS	
2	311.11153	SCREW TE M8 X 25	TORNILLO TE M8 X 25	
3	311.31061	SCREW TSV M6 X 16 UNI 260-5S	TORNILLO TSV M6 X 16 UNI 260-5S	
4	312.21121	NUT M12 X 1.25 UNI 5587 6S	TUERCA M12 X 1.25 UNI 5587 6S	
5	312.41080	NUT, SELF LOCKING M8	TUERCA AUTOBLOC. M8	
6	313.12080	STUD M8 X 46 X 20 X 12	PRISIONERO M8 X 46 X 20 X 12	
7	313.12082	STUD M8 X 38 X 14 X 20	PRISIONERO M8 X 38 X 14 X 20	
8	313.12083	STUD M8 X 46 X 16 X 16	PRISIONERO M8 X 46 X 16 X 16	
9	313.12084	STUD M8 X 58 X 16 X 16	PRISIONERO M8 X 58 X 16 X 16	
10	313.12124	ST.56XM12X1.25X26XM12X22 8G	PRIS.56XM12X1.25X26XM12X22 8G	
11	314.11084	WASHER, FLAT 8.4	ARANDELA PLANA 8.4	
12	314.23084	WASHER, LOCK 8.4	ARANDELA DE RES. 8.4	
13	314.23130	WASEHR, LOCK 13	ARANDELA DE RES. 13	
14	379.11532	BALL 15/32 RIV RB-11.906	BOLA 15/32 RIV RB-11.906	
15	531.43056	HOUSING COVER	TAPA CARTER	
16	531.43068	FLANGE, REVERSE SPEED	BRIDA MARCHA ATRAS	
17	531.48055	CASING 5 SPEEDS GEARBOX	CAJA 5 MARCHAS	
18	551.02678	RUBBER RING	ANILLO GOMA	
19	552.43114	COVER	TAPA	
20	561.48670	STOP RING NUT	CASQUILLO	
21	562.43100	CLUTCH LEVER	PALANCA EMBRAGUE	
22	580.02052	PIN	CLAVITA	
23	580.02666	CAP, WITH MEASURING ROD	VARILLA NIVEL ACEITE CON TAPON	
24	580.42202	SCREW, ADJUSTING M8	TORNILLO REGULACION M8	
25	580.43053	PARALLEL PIN D 6 X 20	ESPIÑA CIL. D 6 X 20	
26	580.43069	GASKET	GUARNICION	
27	580.43094	GASKET, COVER	GUARNICION TAPA	
28	580.43117	GASKET, COVER	GUARNICION TAPA	
29	580.43129	BELLOWS	FUELLE	
30	580.43176	SPRING	MUELLE	
31	590.48695	TOW COUPLING	ATAQUE TRAINO	
32	590.48697	PIN	PERNO	

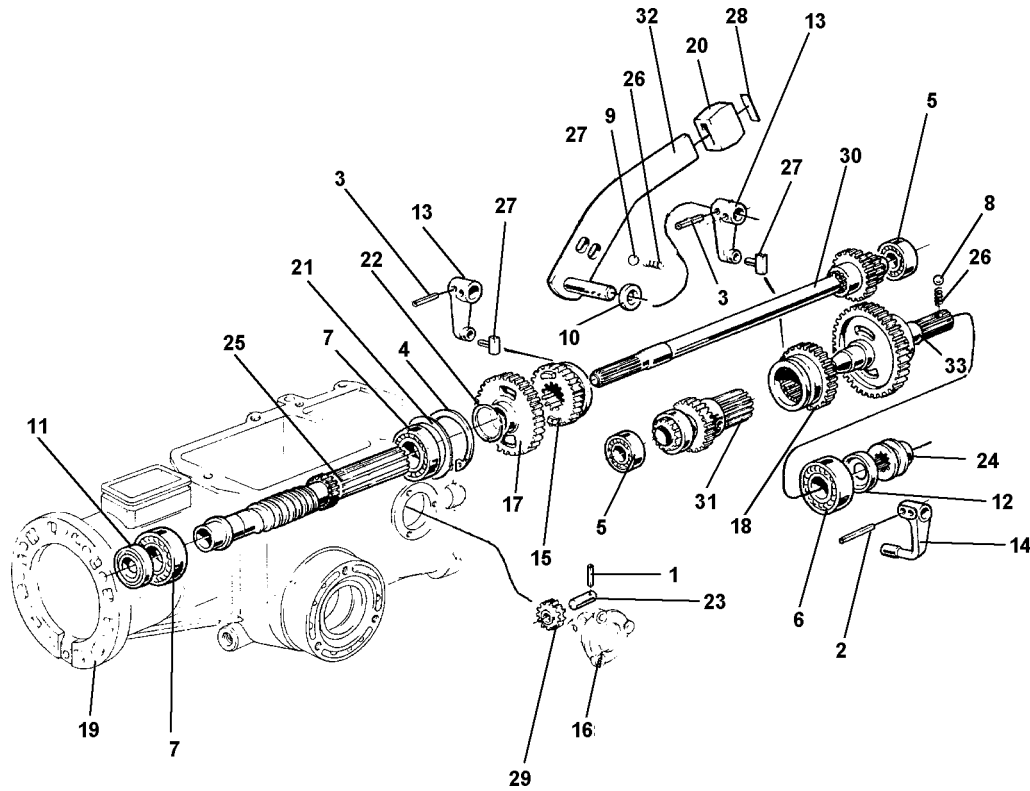
30 - THIS SPRING REPLACES  
OLDER VERSIONS.



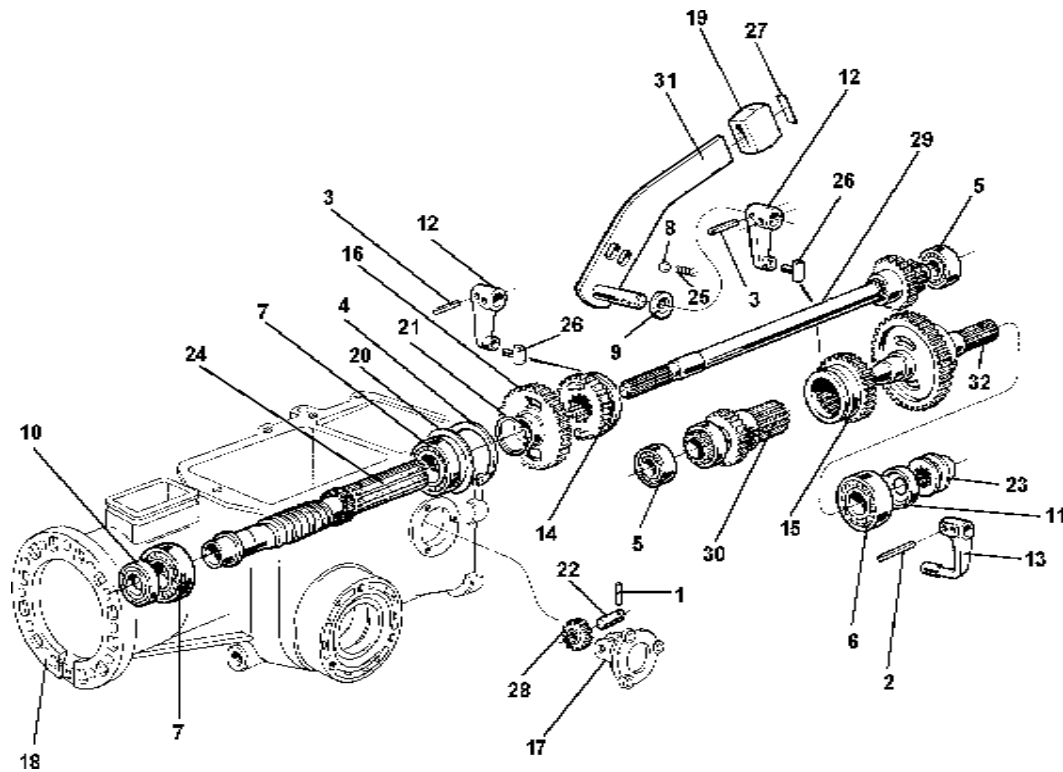
ID	PARTNO	DESCRIPTION	DENOMINACION	NOTES
1	300.40001	PLUG 1/4 GAS	TAPON 1/4 GAS	
2	311.11153	SCREW TE M8 X 25	TORNILLO TE M8 X 25	
3	311.32562	SCREW M6 X 16	TORNILLO M6 X 16	
4	311.52079	SCREW TCCEI M8 X 12	TORNILLO TCCEI M8X 12	
5	312.21121	NUT M12 X 1.25 UNI 5587 6S	TUERCA M12 X 1.25 UNI 5587 6S	
6	312.41080	NUT, SELF LOCKING M8	TUERCA AUTOBLOC. M8	
7	313.12080	STUD M8 X 46 X 20 X 12	PRISIONERO M8 X 46 X 20 X 12	
8	313.12082	STUD M8 X 38 X 14 X 20	PRISIONERO M8 X 38 X 14 X 20	
9	313.12083	STUD M8 X 46 X 16 X 16	PRISIONERO M8 X 46 X 16 X 16	
10	313.12084	STUD M8 X 58 X 16 X 16	PRISIONERO M8 X 58 X 16 X 16	
11	313.12124	ST.56M12X1.25X26XM12X22 8G	PRIS.56M12X1.25X26XM12X22 8G	
12	314.11084	WASHER, FLAT 8.4	ARANDELA PLANA 8.4	
13	314.21083	SUPER WASHER 8 DIN 6796	SUPER ARANDELA 8 DIN 6796	
14	314.23084	WASHER, LOCK 8.4	ARANDELA DE RES. 8.4	
15	314.23130	WASHER, LOCK 13	ARANDELA DE RES. 13	
16	379.11532	BALL 15/32 RIV RB-11.906	BOLA 15/32 RIB RB-11.906	
17	531.43056	HOUSING COVER	TAPA CARTER	
18	531.43068	FLANGE, REVERSE SPEED	BRIDA MARCHA ATRAS	
19	531.48055	HOUSING BODY	CUERPO CARTER	
20	551.02678	RUBBER RING	ANILLO GOMA	
21	552.43114	COVER	TAPA	
22	561.48670	STOP RING NUT	CASQUILLO	
23	562.43100	CLUTCH LEVER	PALANCA EMBRAGUE	
24	562.43113	CLUTCH LEVER	PALANCA EMBRAGUE	
25	580.02052	PIN	CLAVITA	
26	580.02666	CAP, WITH MEASURING ROD	VARILLA NIVEL ACEITE CON TAPON	
27	580.42202	SCREW, ADJUSTING M8	TORNILLO REGULACION M8	
28	580.43053	PARALLEL PIN D 6 X 20	ESPINA CIL. D 6 X 20	
29	580.43069	GASKET	GUARNICION	
30	580.43094	GASKET COVER	GUARNICION TAPA	
31	580.43117	GASKET COVER	GUARNICION TAPA	
32	580.43129	BELLOWS	FUELLE	
33	<b>580.48369</b>	<b>P.T.O. SPRING</b>	<b>MUELLE TOMA DE FUERZA</b>	<b>33 - THIS SPRING REPLACES ALL OLDER SPRING VERSIONS.</b>
34	580.90085	GASKET SET COMPLETE 715-725	GUARNICION COMPLETO 715-725	
35	590.48695	TOW COUPLING	ATAQUE TRAINO	



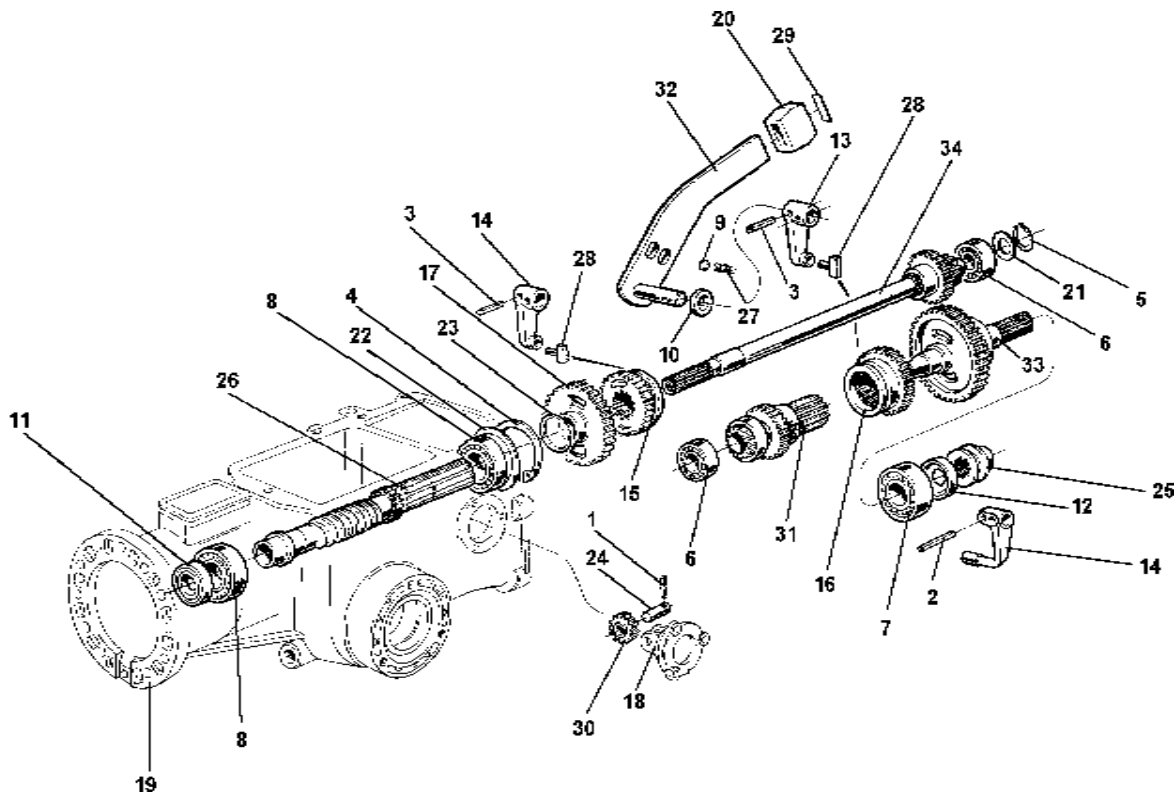
ID	PART NO	DESCRIPTION	DENOMINACION	NOTES
36	590.48697	PIN	PERNO	



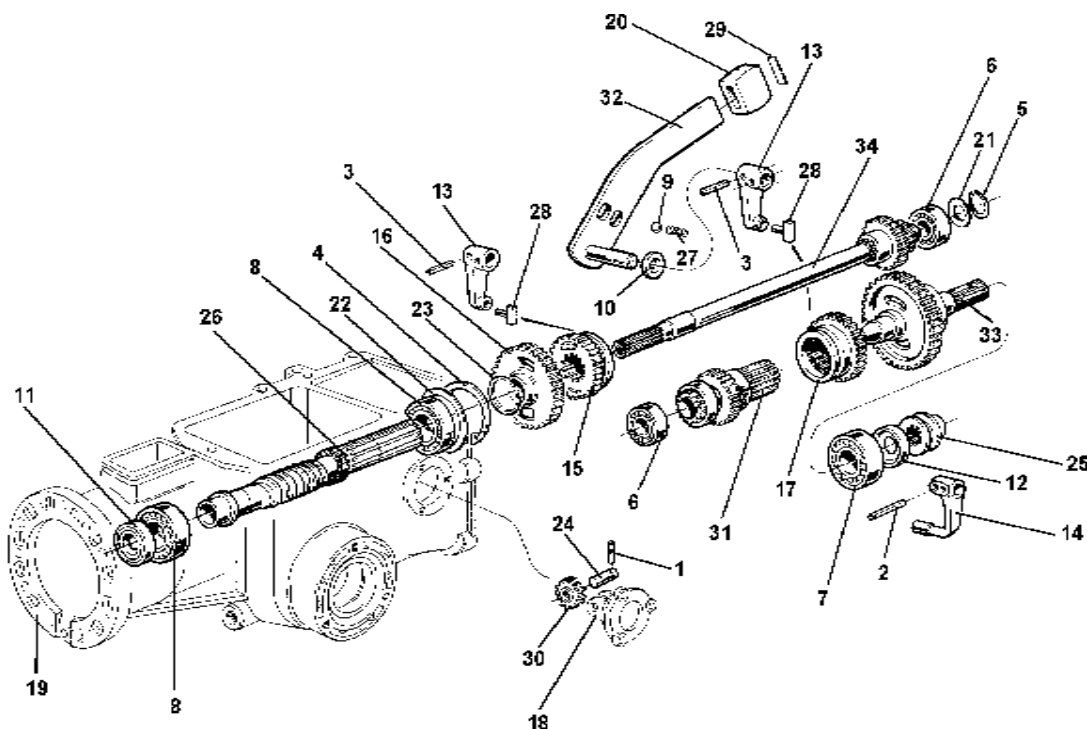
ID	PARTNO	DESCRIPTION	DENOMINACION	NOTES
1	342.11025	PIN, LOCKING 2.5 X 22 DIN 1481	ESPINA DE RES. 2.5 X 22 DIN 1481	
2	342.13020	LOCKING PIN 4 X 20 SPIRAL	ESPINA DE RES. 4 X 20 ESPIRAL	
3	342.13024	LOCKING PIN 4 X 24 SPIRAL	ESPINA DE RES. 4 X 24 ESPIRAL	
4	351.11052	CIRCLIP, INTERN D 52	SEEGER INT. D 52	
5	371.11151	BEARING 15 X 35 X 11 6202	COJINETE 15 X 35 X 11 6202	
6	371.11201	BEARING 20 X 47 X 14 6204	COJINETE 20 X 47 X 14 6204	
7	371.11255	BEARING 25 X 52 X 15 6205	COJINETE 25 X 52 X 15 6205	
8	<b>379.10832</b>	<b>BALL 1/4 RIV RB-6.35</b>	<b>BOLA 1/4 RIV RB-6.35</b>	<b>8 - THIS PTO BALL AND SPRING WAS MOVED TO THE REAR COVER ON SOME UNITS AND NOT INSTALLED IN THIS PTO SHAFT.</b>
9	379.11532	BALL 15/32 RIV RB-11.906	BOLA 15/32 RIV RB-11.906	
10	382.11201	SEAL, OIL 12 X 19 X 5 STANDARD	CHAPA RET. ACEITE 12 X 19 X 5	
11	382.11501	SEAL, OIL 15 X 40 X 10 STANDARD	CHAPA RET. ACEITE 15 X 40 X 10	
12	382.12001	SEAL, OIL 20 X 35 X 7 STANDARD	CHAPA RET. ACEITE 20 X 35 X 7	
13	521.43171	LEVER, SPEED CHG SLDG GR	PALANCA ENGR. DESLIZABLE MAR.	
14	523.43168	SLIDE LEVER	PALANCA CURSOR	
15	524.48060	SLIDER SPEEDS	MANDO DESP. MARCHAS	
16	524.48068	SLIDER REDUCTION UNIT	PINON DESPLAZABLE REDUCTOR	
17	524.48078	WHEELS FIRST SPEED	BARRA I VELOCIDAD	
18	531.43068	FLANGE, REVERSE SPEED	BRIDA MARCHA ATRAS	
19	531.48055	CASING 5 SPEEDS GEARBOX	CAJA 5 MARCHAS	
20	552.48072	KNOB REDUCTION UNIT LEVER	POMO PALANCA REDUCTOR	
21	563.48056	RING C - 72	ANILLO C - 72	
22	563.48077	WASHER 25 X 32 X 2 C - 72	ARANDELA 25 X 32 X 2 C - 72	
23	564.43074	PIN	PERNO	
24	564.43164	SLIDER	CURSOR	
25	564.48057	WORM GEAR	TORNILLO SIN FIN	
26	<b>580.42059</b>	<b>SPRING</b>	<b>MUELLE</b>	<b>26 - THIS PTO BALL AND SPRING WAS MOVED TO THE REAR COVER ON SOME UNITS AND NOT INSTALLED IN THIS PTO SHAFT.</b>
27	580.43086	SHOE	PATIN	
28	580.43321	DECAL SLOW/FAST SPEEDS	PLETINA VELOCIDAD LENT./RAP.	
29	590.43071	REVERSE SPEED GEAR	COMPL. MARCHA ATRAS	
30	590.48061	CLUTCH SHAFT	EJE EMBRAGUE	
31	590.48065	GEAR TRIPLE	TRIPLO	
32	590.48069	LEVER REDUCTION UNIT	PALANCA REDUCTOR	
33	590.48073	P.T.O. SHAFT	ARBOL TOMA DE FUERZA	



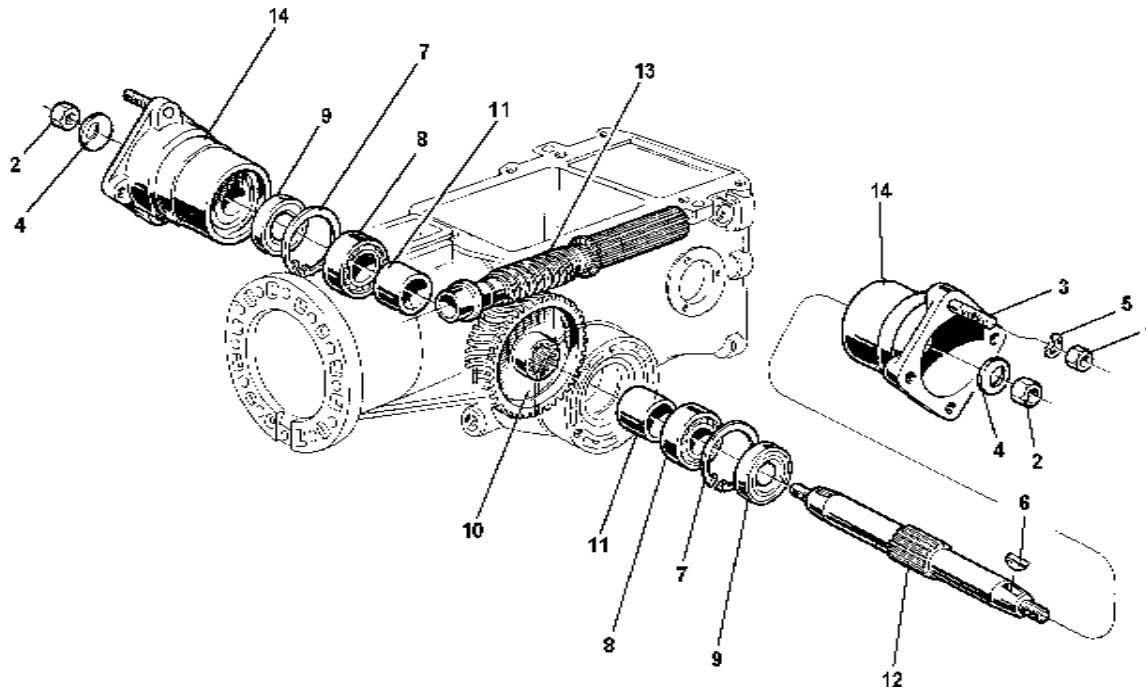
ID	PARTNO	DESCRIPTION	DENOMINACION	NOTES
1	342.11025	PIN, LOCKING 2.5 X 22 DIN 1481	ESPINA DE RES 2.5 X 22 DIN 1481	
2	342.13020	LOCKING PIN 4 X 20 SPIRAL	ESPINA DE RES. 4 X 20 ESPIRAL	
3	342.13024	LOCKING PIN 4 X 24 SPIRAL	ESPINA DE RES. 4 X 24 ESPIRAL	
4	351.11052	CIRCLIP, INTERN D 52	SEEGER INT. D 52	
5	371.11151	BEARING 15 X 35 X 11 6202	COJINETE 15 X 35 X 11 6202	
6	371.11201	BEARING 20 X 47 X 14 6204	COJINETE 20 X 47 X 14 6204	
7	371.11255	BEARING SKF 25 X 52 X 15 6205	COJINETE SKF 25 X 52 X 15 6205	
8	379.11532	BALL 15/32 RIV RB-11.906	BOLA 15/32 RIV RB-11.906	
9	382.11201	SEAL, OIL 12 X 19 X 5 STANDARD	CHAPA RET. AC. 12 X 19 X 5 NORM.	
10	382.11501	SEAL, OIL 15 X 40 X 10 STANDARD	CHAPA RET. AC. 15 X 40 X 10 NORM.	
11	382.12001	SEAL, OIL 20 X 35 X 7 STANDARD	CHAPA RET. AC. 20 X 35 X 7 NORM.	
12	521.43171	LEVER, SPEED CHG SLDG GR	PALANCA ENGR. DESLIZABLE MAR.	
13	523.43168	SLIDE LEVER	PALANCA CURSOR	
14	524.48060	SLIDER SPEEDS	MANDO DESP. MARCHAS	
15	524.48068	SLIDER REDUCTION UNIT	PINON DESPLAZABLE REDUCTOR	
16	524.48078	WHEELS FIRST SPEED	BARRA I VELOCIDAD	
17	531.43068	FLANGE, REVERSE SPEED	BRIDA MARCHA ATRAS	
18	531.48055	CASING 5 SPEEDS GEARBOX	CAJA 5 MARCHAS	
19	552.48072	KNOB REDUCTION UNIT LEVER	POMO PALANCA REDUCTOR	
20	563.48056	RING C - 72	ANILLO C - 72	
21	563.48077	WASHER 25 X 32 X 2 C - 72	ARANDELA 25 X 32 X 2 C - 72	
22	564.43074	PIN	PERNO	
23	564.43164	SLIDER	CURSOR	
24	564.48057	WORM GEAR	TORNILLO SIN FIN	
25	580.42059	SPRING	MUELLE	
26	580.43086	SHOE	PATIN	
27	580.43321	DECAL SLOW/FAST SPEEDS	PLETINA VELOC. LENT./RAP.	
28	590.43071	REVERSE SPEED GEAR	COMPL. MARCHAS ATRAS	
29	590.48061	CLUTCH SHAFT	EJE EMBRAGUE	
30	590.48065	GEAR TRIPLE	TRIPLO	
31	590.48069	LEVER REDUCTION UNIT	PALANCA REDUCTOR	
32	590.48073	P.T.O. SHAFT	ARBOL TOMA DE FUERZA	



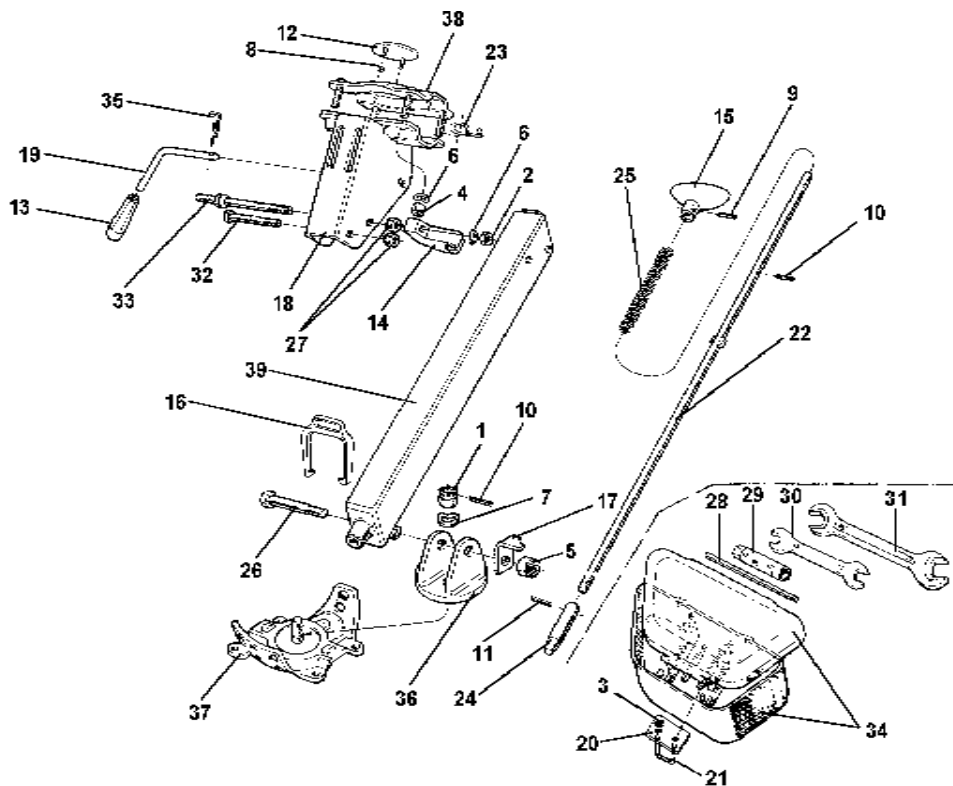
ID	PARTNO	DESCRIPTION	DENOMINACION	NOTES
1	342.11025	PIN, LOCKING 2.5 X 22 DIN 1481	ESPINA DE RES. 2.5 X 22 DIN 1481	
2	342.13020	LOCKING PIN 4 X 20 SPIRAL	ESPINA DE RES. 4 X 20 ESPIRAL	
3	342.13024	LOCKING PIN 4 X 24 SPIRAL	ESPINA DE RES. 4 X 24 ESPIRAL	
4	351.11052	CIRCLIP, INTERN D 52	SEEGER INT. D 52	
5	351.21015	CIRCLIP	SEEGER	
6	371.11151	BEARING 15 X 35 X 11 6202	COJINETE 15 X 35 X 11 6202	
7	371.11201	BEARING 20 X 47 X 14 6204	COJINETE 20 X 47 X 14 6204	
8	371.11255	BEARING SKF 25 X 52 X 15 6205	COJINETE SKF 25 X 52 X 15 6205	
9	379.11532	BALL 15/32 RIV RB-11.906	BOLA 15/32 RIV RB-11.906	
10	382.11201	SEAL, OIL 12 X 19 X 5 STANDARD	CHAPA RET. AC. 12 X 19 X 5 NORM.	
11	382.11501	SEAL, OIL 15 X 40 X 10 STANDARD	CHAPA RET. AC. 15 X 40 X 10 NORM.	
12	382.12001	SEAL, OIL 20 X 35 X 7 STANDARD	CHAPA RET. AC. 20 X 35 X 7 NORM.	
13	521.43171	LEVER, SPEED CHG SLDG GR	PALANCA ENGR. DESLIZABLE MAR.	
14	523.43168	SLIDE LEVER	PALANCA CURSOR	
15	524.48060	SLIDER SPEEDS	MANDO DESP. MARHCAS	
16	524.48068	SLIDER REDUCTION UNIT	PINON DESPLAZABLE REDUCTOR	
17	524.48078	WHEELS FIRST SPEED	BARRA I VELOCIDAD	
18	531.43068	FLANGE, REVERSE SPEED	BRIDA MARCHA ATRAS	
19	531.48055	CASING 5 SPEEDS GEARBOX	CAJA 5 MARCHAS	
20	552.48072	KNOB REDUCTION UNIT LEVER	POMO PALANCA REDUCTOR	
21	561.43932	WASHER 15.1 X 25 X 2	ARANDELA 15.1 X 25 X 2	
22	563.48056	RING C - 72	ANILLO C - 72	
23	563.48077	WASHER 25 X 32 X 2 C - 72	ARANDELA 25 X 32 X 2 C - 72	
24	564.43074	PIN	PERNO	
25	564.43164	SLIDER	CURSOR	
26	564.48057	WORM GEAR	TORNILLO SIN FIN	
27	580.42059	SPRING	MUELLE	
28	580.43086	SHOE	PATIN	
29	580.43321	PLATE SLOW/FAST SPEEDS	PLETINA VELOCIDAD LENT./RAP.	
30	590.43071	REVERSE SPEED GEAR	COMPL. MARCHA ATRAS	
31	590.48065	GEAR TRIPLE	TRIPLO	
32	590.48069	LEVER REDUCTION UNIT	PALANCA REDUCTOR	
33	590.48073	P.T.O. SHAFT	ARBOL TOMA DE FUERZA	
34	590.49602	CLUTCH SHAFT	ARBOL EMBRAGUE	



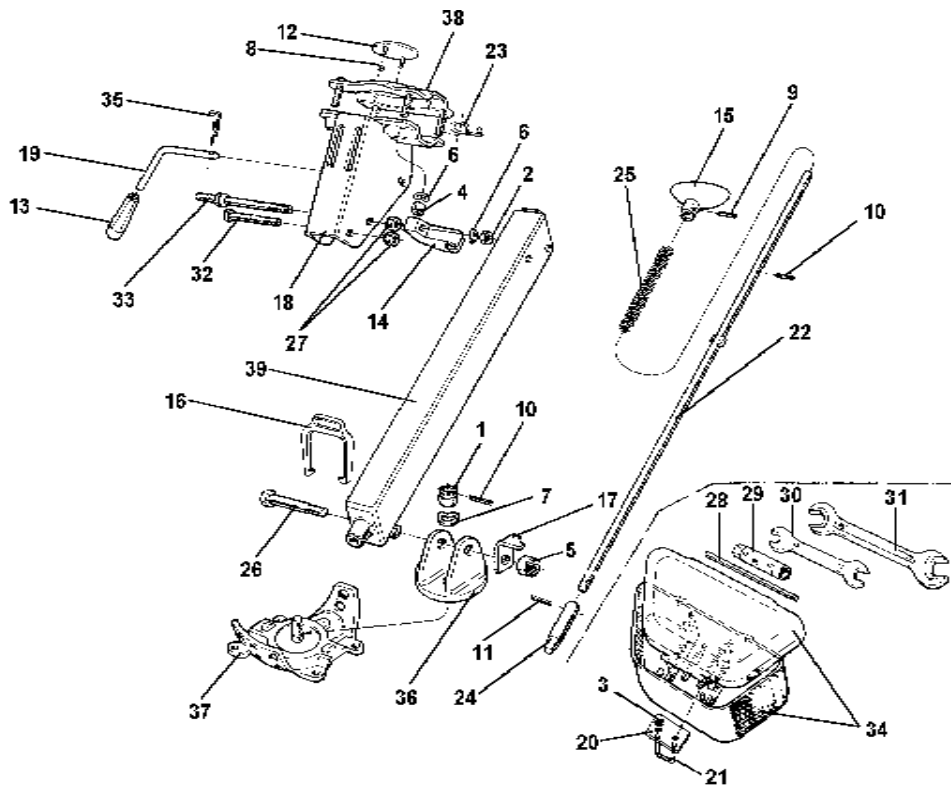
ID	PARTNO	DESCRIPTION	DENOMINACION	NOTES
1	342.11025	PIN, LOCKING 2.5 X 22 DIN 1481	ESPINA DE RES. 2.5 X 22 DIN 1481	
2	342.13020	LOCKING PIN 4 X 20 SPIRAL	ESPINA DE RES 4 X 20 ESPIRAL	
3	342.13024	LOCKING PIN 4 X 24 SPIRAL	ESPINA DE RES 4 X 24 ESPIRAL	
4	351.11052	CIRCLIP, INTERN D 52	SEEGER INT. D 52	
5	351.21015	CIRCLIP	SEEGER	
6	371.11151	BEARING 15 X 35 X 11 6202	COJINETE 15 X 35 X 11 6202	
7	371.11201	BEARING 20 X 47 X 14 6204	COJINETE 20 X 47 X 14 6204	
8	371.11255	BEARING SKF 25 X 52 X 15 6205	COJINETE SKF 25 X 52 X 15 6205	
9	379.11532	BALL 15/32 RIV RB-11.906	BOLA 15/32 RIV RB-11.906	
10	382.11201	SEAL, OIL 12 X 19 X 5 STANDARD	CHAPA RET. AC. 12 X 19 X 5 NORM.	
11	382.11501	SEAL, OIL 15 X 40 X 10 STANDARD	CHAPA RET. AC. 15 X 40 X 10 NORM.	
12	382.12001	SEAL, OIL 20 X 35 X 7 STANDARD	CHAPA RET. AC. 20 X 35 X 7 NORM.	
13	521.43171	LEVER, SPEED CHG SLDG GR	PALANCA ENGR. DESLIZABLE MAR.	
14	523.43168	SLIDE LEVER	PALANCA CURSOR	
15	524.48060	SLIDER SPEEDS	MANDO DESP. MARCHAS	
16	524.48078	WHEELS FIRST SPEED	BARRA I VELOCIDAD	
17	524.49608	REDUCTION UNIT SLIDER	DESPLAZABLE REDUCTOR	
18	531.43068	FLANGE, REVERSE SPEED	BRIDA MARCHA ATRAS	
19	531.48055	CASING 5 SPEEDS GEARBOX	CAJA 5 MARCHAS	
20	552.48072	KNOB REDUCTION UNIT LEVER	POMO PALANCA REDUCTOR	
21	561.43932	WASHER 15.1 X 25 X 2	ARANDELA 15.1 X 25 X 2	
22	563.48056	RING C - 72	ANILLO C - 72	
23	563.48077	WASHER 25 X 32 X 2 C - 72	ARANDELA 25 X 32 X 2 C - 72	
24	564.43074	PIN	PERNO	
25	564.43164	SLIDER	CURSOR	
26	564.48057	WORM GEAR	TORNILLO SIN FIN	
27	580.42059	SPRING	MUELLE	
28	580.43086	SHOE	PATIN	
29	580.43321	PLATE SLOW/FAST SPEEDS	PLETINA VELOCIDAD LENT./RAP.	
30	590.43071	REVERSE SPEED GEAR	COMPL. MARCHA ATRAS	
31	590.48065	GEAR TRIPLE	TRIPLO	
32	590.48069	LEVER REDUCTION UNIT	PALANCA REDUCTOR	
33	590.48073	P.T.O. SHAFT	ARBOL TOMA DE FUERZA	
34	590.49606	CLUTCH SHAFT	BARRA COMPLETA	



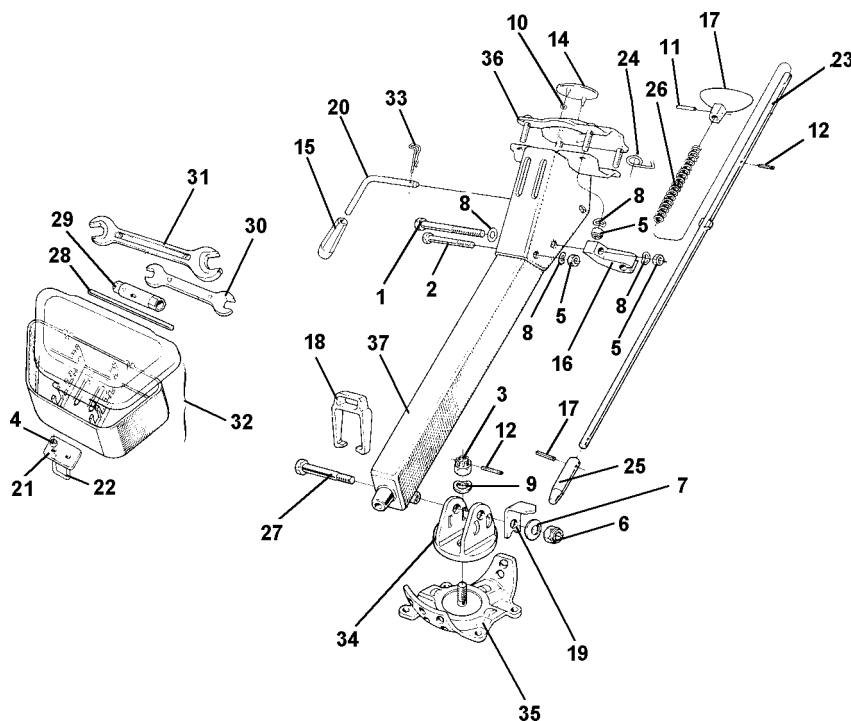
ID	PARTNO	DESCRIPTION	DENOMINACION	NOTES
1	312.11100	NUT M10	TUERCA M10	
2	312.41120	NUT, SELF LOCKING M12	TUERCA AUTOBLOC. M12	
3	313.12102	STUD M10 X 40 X 22 X 14	PRISIONERO M10 X 40 X 22 X 14	
4	314.21130	SUPER WASHER 12 DIN 6796	ARANDELA SUPER 12 DIN 6796	
5	314.23105	WASHER, LOCK 10.5	ARANDELA DE RES. 10.5	
6	343.11060	KEY 6 X 10 UNI 6606	LINGUETA 6 X 10 UNI 6606	
7	351.11052	CIRCLIP, INTERN D 52	SEEGER INT. D 52	
8	371.11255	BEARING 25 X 52 X 15 6205	COJINETE 25 X 52 X 15 6205	
9	382.12501	SEAL, OIL 25 X 52 X 10 STANDARD	CHAPA RET. AC. 25 X 52 X 10 NORM.	
10	541.43090	GEAR Z 49, RH POWER TILLER	CORONA Z 49 DERECHO RSA M.	
11	561.43059	SPACER	SEPARADOR	
12	563.43058	WHEEL SHAFT	PARTE RUEDAS	
13	564.48057	WORM GEAR	TORNILLO SIN FIN	
14	590.43063	HUB, WHEEL, WITH STUDS	CUBO RUEDA CON PRISIONEROS	



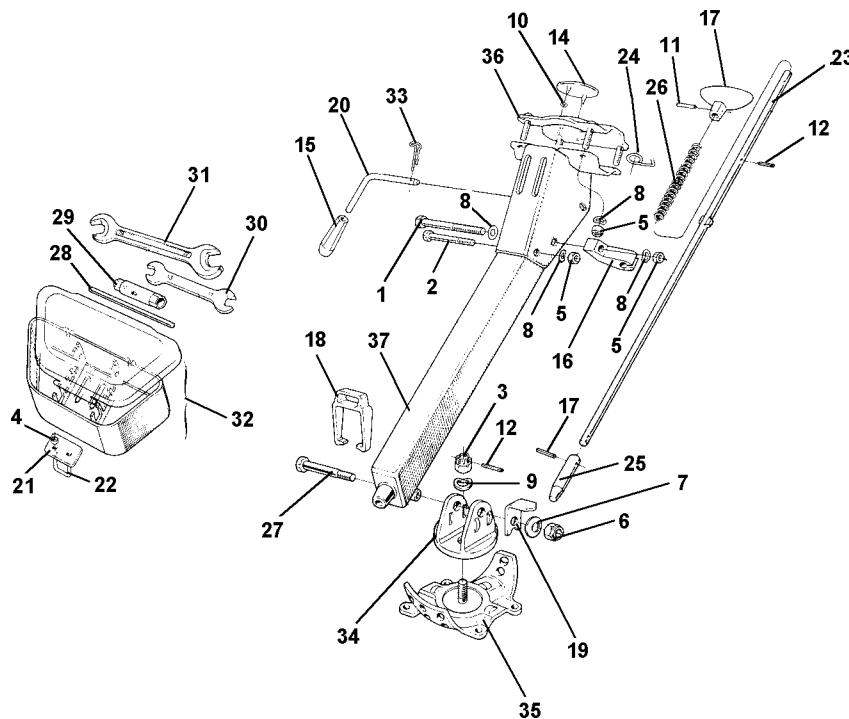
ID	PARTNO	DESCRIPTION	DENOMINACION	NOTES
1	312.01212	NUT, HEX INT M12 UNI 5593 6S	TUERCA HEX. INT. M12 UNI 5593 6S	FOR THE HANDLE COLUMN PARTS BEFORE SERIAL NUMBER 64757 SEE PAGE 11.00.
2	312.11080	NUT M8	TUERCA M8	
3	312.41060	NUT, SELF LOCKING M6	TUERCA AUTOBLOC. M6	
4	312.41080	NUT, SELF LOCKING M8	TUERCA AUTOBLOC. M8	
5	312.41120	NUT, SELF LOCKING M12	TUERCA AUTOBLOC. M12	
6	314.23084	WASHER, LOCK 8.4	ARANDELA DE RES. 8.4	
7	314.23130	WASHER, LOCK 13	ARANDELA DE RES. 13	
8	314.40004	WASHER, LOCK FOR PINS	D-4 ARAN. ELAST. PARA PERNO D-4	
9	342.13020	LOCKING PIN 4 X 20 SPIRAL	ESPIÑA DE RES. 4 X 20 ESPIRAL	
10	342.13022	PIN, LOCKING SW 3 X 22 SPIRAL	ESPIÑA DE RES. SW 3 X 22 ESPIRAL	
11	342.13025	LOCKING PIN SPIRAL	ESPIÑA DE RES. ESPIRAL	
12	530.48656	BCS LOGO	MARCA OVAL, BCS	
13	551.42076	KNOB	POMO	
14	552.43340	SUPPORT CONTROL ROD CUT	SOPORTE BARRA	
15	552.49665	KNOB	MANILLAR	
16	552.49668	PASSAGE FOR SHEATH	PASAJE PARA VAINA	
17	561.48252	LOCKING PLATE	PLETINA ESTACIONAMIENTO	
18	561.48264	END	EXTREMIDAD	
19	561.48280	LEVER FOR SECTOR	PALANCA PARA SECTOR	
20	561.49467	PLATE	PLETINA	
21	561.49468	U-BOLT	PUENTE	
22	561.49666	COLUMN ROD	TIRANTE COLUMNA	
23	561.49667	SHEATH HOOK	GANCIO VAINA	
24	564.49661	CONE CAP	PUNTAL CONO	
25	580.42219	SPRING	MUELLE	
26	580.43228	SCREW SPECIAL M12 X 70	TORNILLO ESPECIAL M12 X 70	
27	580.43248	BEVEL NUT M8	TUERCA CONICA M8	
28	580.43718	PARALLEL PIN D 7 X 130	CLAVIJA CILINDRICA D 7 X 130	
29	580.43719	TUBE KEY 10 - 13	LLAVE A TUBO 10 - 13	
30	580.43720	OPEN KEY 13 - 17	LLAVE A BOCA 13 - 17	
31	580.43722	OPEN KEY 19 - 22	LLAVE A BOCA 19 - 22	
32	580.48269	SCREW STEERING COLUMN M8X58	TORNILLO COLUMNA M8 X 58	
33	580.48270	SCREW STEERING COLUMN M8X118	TORNILLO COLUMNA M8 X 118	
34	580.49466	NEUTRAL TOOL BOX	CAJA ACCESORIOS NEUTRA	
35	580.50533	PIN	PASADOR	



ID	PARTNO	DESCRIPTION	DENOMINACION	NOTES
36	590.43305	FORK	HORQUILLA COMPL.	FOR THE HANDLE COLUMN PARTS BEFORE SERIAL NUMBER 64757 SEE PAGE 11.00.
37	590.43311	CAP WITH HOLE D. 13	COPA AGUJEROS D. 13	
38	590.48266	COVER ENDS	TAPA EXTREMIDAD	
39	590.49660	HANDLEBAR STEERING COLUMN	COLUMNA MANILLAR	



ID	PARTNO	DESCRIPTION	DENOMINACION	NOTES
1	311.11165	SCREW TE M8 X 100	TORNILLO TE M8 X 100	
2	311.12156	SCREW M8 X 60	TORNILLO M8 X 60	
3	312.01212	NUT, HES INT M12 UNI 5593 6S	TUERCA HEX. INT. M12 UNI 5593 6S	
4	312.41060	NUT, SELF LOCKING M6	TUERCA AUTOBLOC. M6	
5	312.41080	NUT, SELF LOCKING M8	TUERCA AUTOBLOC. M8	
6	312.41121	NUT, SELF LOCKING M12 LOW	TUERCA AUTOBLOC. M12 BAJA	
7	314.21132	CONICAL WASHER	ARANDELA CONICA	
8	314.23084	WASHER, LOCK 8.4	ARANDELA DE RES. 8.4	
9	314.23130	WASHER, LOCK 13	ARANDELA DE RES. 13	
10	314.40004	WASHER, LOCK FOR PINS	D-4 ARAND. ELAST. PARA PERNO D-4	
11	342.13020	LOCKING PIN 4 X 20 SPIRAL	ESPINA DE RES. SW 4 X 20 ESPIRAL	
12	342.13022	PIN, LOCKING SW 3 X 22	ESPINA DE RES. SW 3 X 22 ESPIRAL	
13	342.13025	LOCKING PIN SPIRAL	ESPINA DE RES. ESPIRAL	
14	530.48656	BCS LOGO	MARCA OVAL, BCS	
15	551.42076	KNOB	POMO	
16	552.43340	SUPPORT CONTROL ROD CUT	SOPORTE BARRA	
17	552.49665	KNOB	MANILLAR	
18	552.49668	PASSAGE FOR SHEATH	PASAJE PARA VAINA	
19	561.48252	LOCKING PLATE	PLETINA ESTACIONAMIENTO	
20	561.48280	LEVER FOR SECTOR	PALANCA PARA SECTOR	
21	561.49467	PLATE	PLETINA	
22	561.49468	U-BOLT	PUENTE	
23	561.49666	COLUMN ROD	TIRANTE COLUMNA	
24	561.49667	SHEATH HOOK	GANCIO VAINA	
25	564.49661	CONE CAP	PUNTAL CONO	
26	580.42219	SPRING	MUELLE	
27	580.43228	SCREW SPECIAL M12 X 70	TORNILLO ESPECIAL M12 X 70	
28	580.43718	PARALLEL PIN D 7 X 130	CLAVIJA CILINDRICA D 7 X 130	
29	580.43719	TUBE KEY 10 - 13	LLAVE A TUBO 10 - 13	
30	580.43720	OPEN KEY 13 - 17	LLAVE A BOCA 13 - 17	
31	580.43722	OPEN KEY 19 - 22	LLAVE A BOCA 19 - 22	
32	580.49466	NEUTRAL TOOL BOX	CAJA ACCESORIOS NEUTRA	
33	580.50533	PIN	PASADOR	
34	590.43305	FORK	HORQUILLA COMPL.	
35	590.43311	CAP WITH HOLE D. 13	COPA AGUJEROS D. 13	



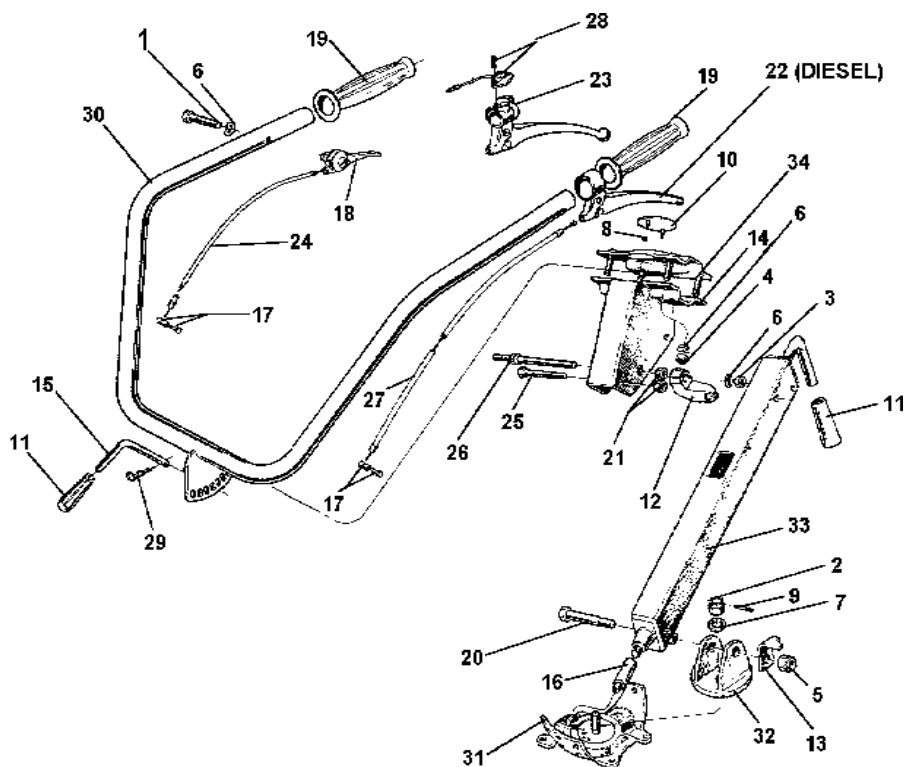
ID	PARTNO	DESCRIPTION	DENOMINACION	NOTES
36	590.48266	COVER ENDS	TAPA EXTREMIDAD	
37	590.49660	HANDLEBAR STEERING COLUMN	COLUMNA MANILLAR	

# 725

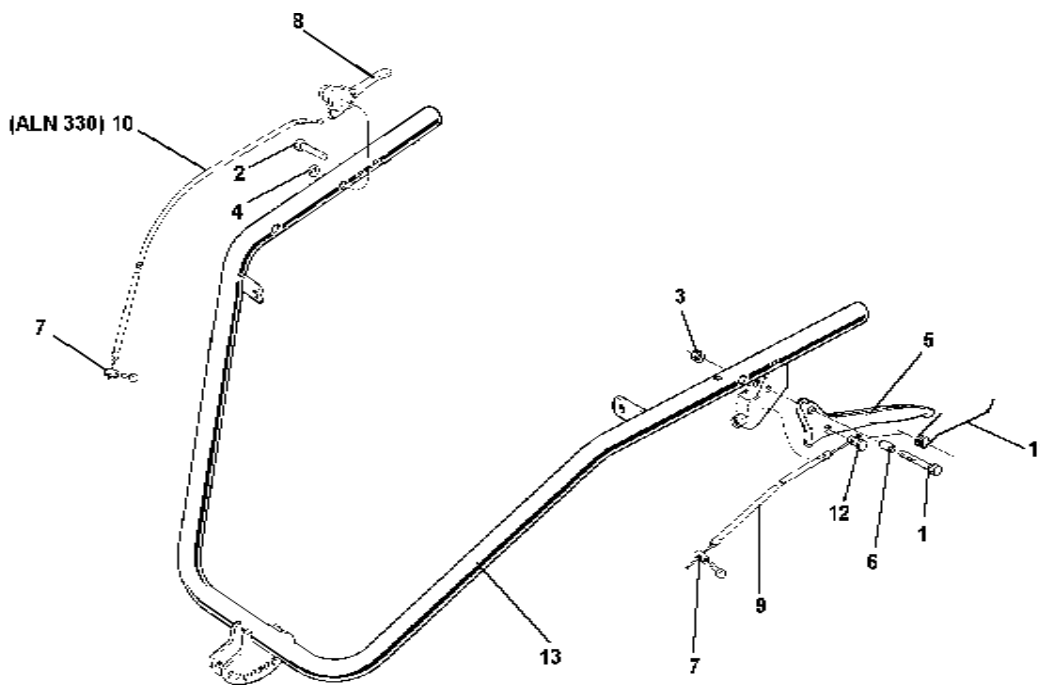
# Handlebar

## Serial Number Range 40000 - 64756

# 11.00



ID	PARTNO	DESCRIPTION	DENOMINACION	NOTES
1	311.12154	SCREW TE M8 X 40	TORNILLO TE M8 X 40	
2	312.01212	NUT, HEX INT. M12 UNI 5593 6S	TUERCA HEX INT. M12 UNI 5593 6S	
3	312.11080	NUT M8	TUERCA M8	
4	312.41080	NUT, SELF LOCKING M8	TUERCA AUTOBLOC. M8	
5	312.41120	NUT, SELF LOCKING M12	TUERCA AUTOBLOC. M12	
6	314.23084	WASHER, LOCK 8.4	ARANDELA DE RES. 8.4	
7	314.23130	WASHER, LOCK 13	ARANDELA DE RES. 13	
8	314.40004	WASHER, LOCK FOR PINS D-4	ARANDELA ELAST. PARA PERNO D-4	
9	342.13022	PIN, LOCKING SW 3 X 22 SPIRAL	ESPIÑA DE RES. SW 3 X 22 ESPIRAL	
10	530.48656	BCS LOGO	MARCA OVAL, BCS	
11	551.42076	KNOB	POMO	
12	552.43340	SUPPORT CONTROL ROD CUT	SOPORTE BARRA	
13	561.48252	LOCKING PLATE	PLETINA ESTACIONAMIENTO	
14	561.48264	END	EXTREMIDAD	
15	561.48280	LEVER FOR SECTOR	PALANCA PARA SECTOR	
16	564.48258	PIN	PERNO	
17	580.02429	CLAMP, CABLE	PASADOR	
18	580.02538	LEVER ACCELERATOR	PALANCA MANDO GAS	
19	580.42692	KNOB RUBBER HOLE D 25	MANETA GOMA TALADRO D 25	
20	580.43228	SCREW SPECIAL M12 X 70	TORNILLO ESPECIAL M12 X 70	
21	580.43248	BEVEL NUT M8	TUERCA CONICA M8	
22	580.43271	CLUTCH LEVER (DIESEL)	PALANCA (DIESEL)	
23	580.43272	CLUTCH LEVER	PALANCA	
24	580.48012	WIRE, SHEATH 1850 GAS	ALAMBRE Y VAINA 1850 GAS	
25	580.48269	SCREW STEERING COLUMN M8 X 58	TORNILLO COLUMNA M8 X 58	
26	580.48270	SCREW STEERING COLUMN M8 X 118	TORNILLO COLUMNA M8 X 118	
27	580.48297	WIRE SHEATH L-1280 CLUTCH/BR.	ALAMBRE Y VAINA L-1280 EMBR./FR.	
28	580.48298	SWITCH	INTERRUPTOR	
29	580.50533	PIN	PERNO	
30	590.43268	HANDLEBAR	MANILLAR	
31	590.43301	CAP WITH HOLE D.13	COPA AGUJEROS D.13	
32	590.43305	FORK	HORQUILLA COMPL.	
33	590.48254	STEERING COLUMN	COLUMNA	
34	590.48266	COVER ENDS	TAPA EXTREMIDAD	



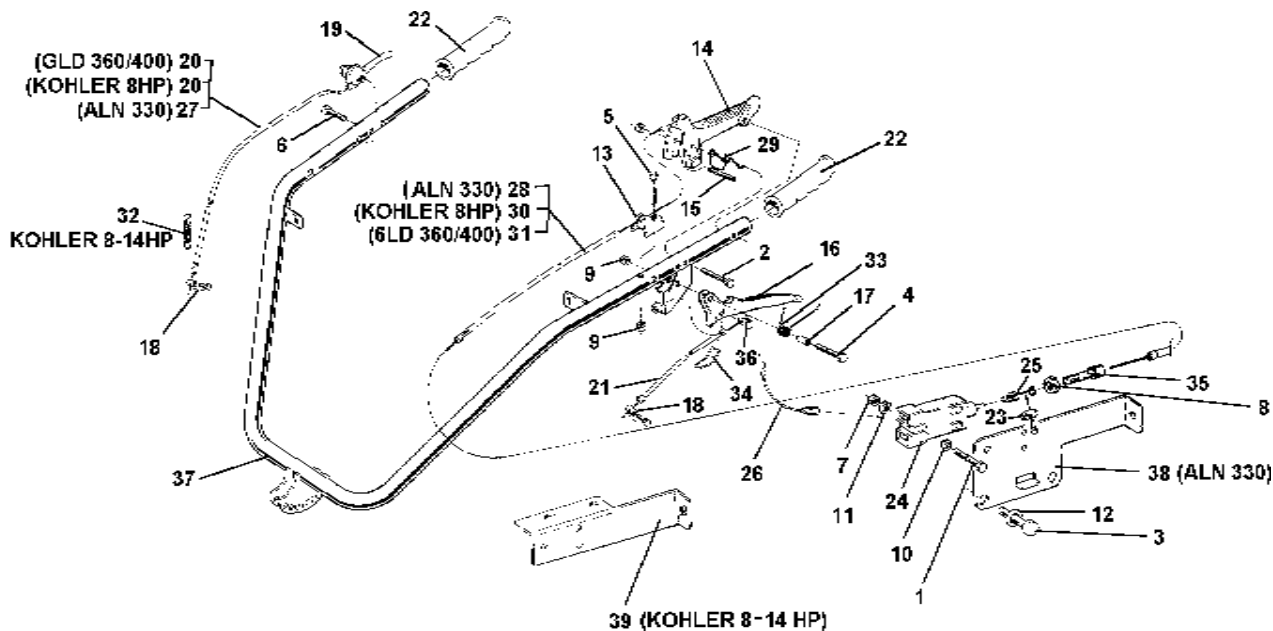
ID	PARTNO	DESCRIPTION	DENOMINACION	NOTES
1	311.12089	SCREW M6 X 25	TORNILLO M6 X 25	FOR THE ENGINE STOP CONTROL FOR THESE HANDLEBARS REFER TO PAGE 12.00.
2	311.12154	SCREW M6 X 40	TORNILLO M6 X 40	
3	312.41060	NUT, SELF LOCKING M6	TUERCA AUTOBLOC. M6	
4	314.23084	WASHER, LOCK 8.4	ARANDELA DE RES. 8.4	
5	561.48470	LEVER	PALANCA	
6	561.50361	LEVER SPACER	SEPARADOR PALANCAS	
7	580.02429	CLAMP, CABLE	PASADOR	
8	580.02538	LEVER, ACCELERATOR	PALANCA MANDO GAS	
9	580.43216	CABLE & SHEATH, CLUTCH	CABLE Y VAINA EMBRAGUE	
10	580.48012	WIRE, SHEATH 1850 GAS	ALAMBRE Y VAINA 1850 GAS	
11	580.50345	LEVER SPRING	MUELLE PALANCA	
12	581.50313	BARREL	PASADOR	
13	590.43268	HANDLEBAR	MANILLAR	

# 725

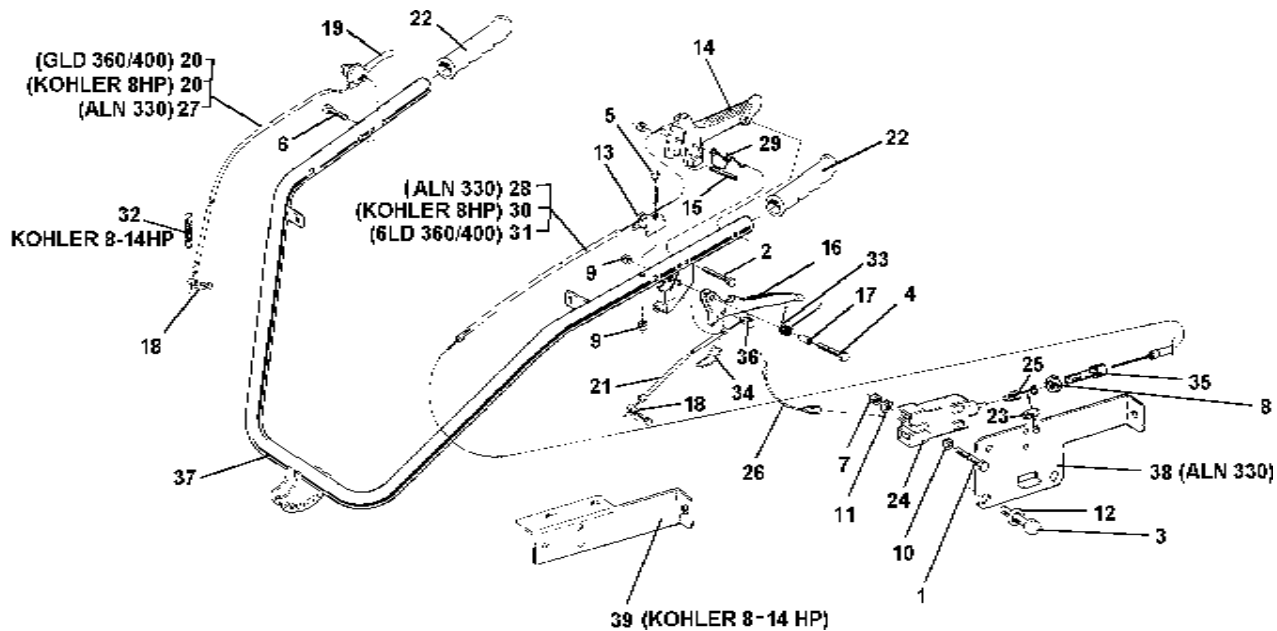
# Handlebar

Serial Number Range  
74800 - 179999

# 11.02



ID	PARTNO	DESCRIPTION	DENOMINACION	NOTES
1	311.11086	SCREW TE M4 X 25	TORNILLO TE M4 X 25	
2	311.11097	SCREW TE M6 X 45	TORNILLO TE M6 X 45	
3	311.11150	SCREW TE M8 X 12	TORNILLO TE M8 X 12	
4	311.12089	SCREW M6 X 25	TORNILLO M6 X 25	
5	311.12092	SCREW M6 X 25	TORNILLO M6 X 25	
6	311.12154	SCREW M6 X 40	TORNILLO M6 X 40	
7	312.11040	NUT M4	TUERCA M4	
8	312.11060	NUT M6	TUERCA M6	
9	312.41060	NUT, SELF LOCKING M6	TUERCA AUTOBLOC. M6	
10	314.11043	FLAT WASHER 4.3	ARANDELA PLANA 4.3	
11	314.23043	LOCK WASHER B 4.3	ARANDELA DE RES. B 4.3	
12	314.23084	WASHER, LOCK 8.4	ARANDELA DE RES. 8.4	
13	552.48038	SHEATH STOP OF MOTOR STOP	FUNDA VAINA MOTOR STOP	
14	552.48041	MOTOR STOP LEVER	PALANCA MOTOR STOP	
15	561.48037	LEVER STOP FOR MOTOR STOP	FIJACION PALANCA MOTOR STOP	
16	561.48040	CLUTCH LEVER	PALANCA	
17	561.50361	LEVER SPACER	SEPARADOR PALANCAS	
18	580.02429	CLAMP, CABLE	PASADOR	
19	580.02538	LEVER, ACCELERATOR	PALANCA MANDO GAS	
20	580.42067	GAS WIRE AND SHEATH	CABLE Y VAINA GAS	
21	580.43216	CABLE & SHEATH, CLUTCH	CABLE Y VAINA	
22	580.48000	GRIP	MANIVELA	
23	580.48002	CABLE CLAMP	PASADOR	
24	580.48009	STOP SWITCH	INTERRUPTOR STOP	
25	580.48010	SWITCH SPRING	MUELLE PARA INTERRUPTOR	
26	580.48011	SWITCH CABLES	CABLES INTERRUPTOR	
27	580.48012	WIRE, SHEATH 1850 GAS	ALAMBRE Y VAINA 1850 GAS	
28	580.48025	SHEATH CABLE	CABLE VAINA	
29	580.48039	MOTOR STOP LEVER SPRING	MUELLE PALANCA MOTOR STOP	
30	580.49505	SHEATH CABLE	CABLE VAINA	
31	580.49507	SHEATH CABLE	CABLE VAINA	
32	580.49786	KOHLER GAS CONTROL	SPRING MUELLE MANDO GAS KOHLER	
33	580.50345	LEVER SPRING	MUELLE PALANCA	
34	580.51670	LEVER HOOK	GANCHO PALANCA	
35	581.47704	ADJUSTING SCREW	TORNILLO REGULACION	



ID	PARTNO	DESCRIPTION	DENOMINACION	NOTES
36	581.50313	BARREL	PASADOR	
37	590.43268	HANDLEBAR	MANILLAR	
38	590.48003	SUPPORT FOR ACME STOP SWITCH	SOPORTE INTERR. STOP ACME	
39	590.49784	KOHLER STOP SWITCH SUPPORT	SOPORTE INTERR. STOP KOHLER	

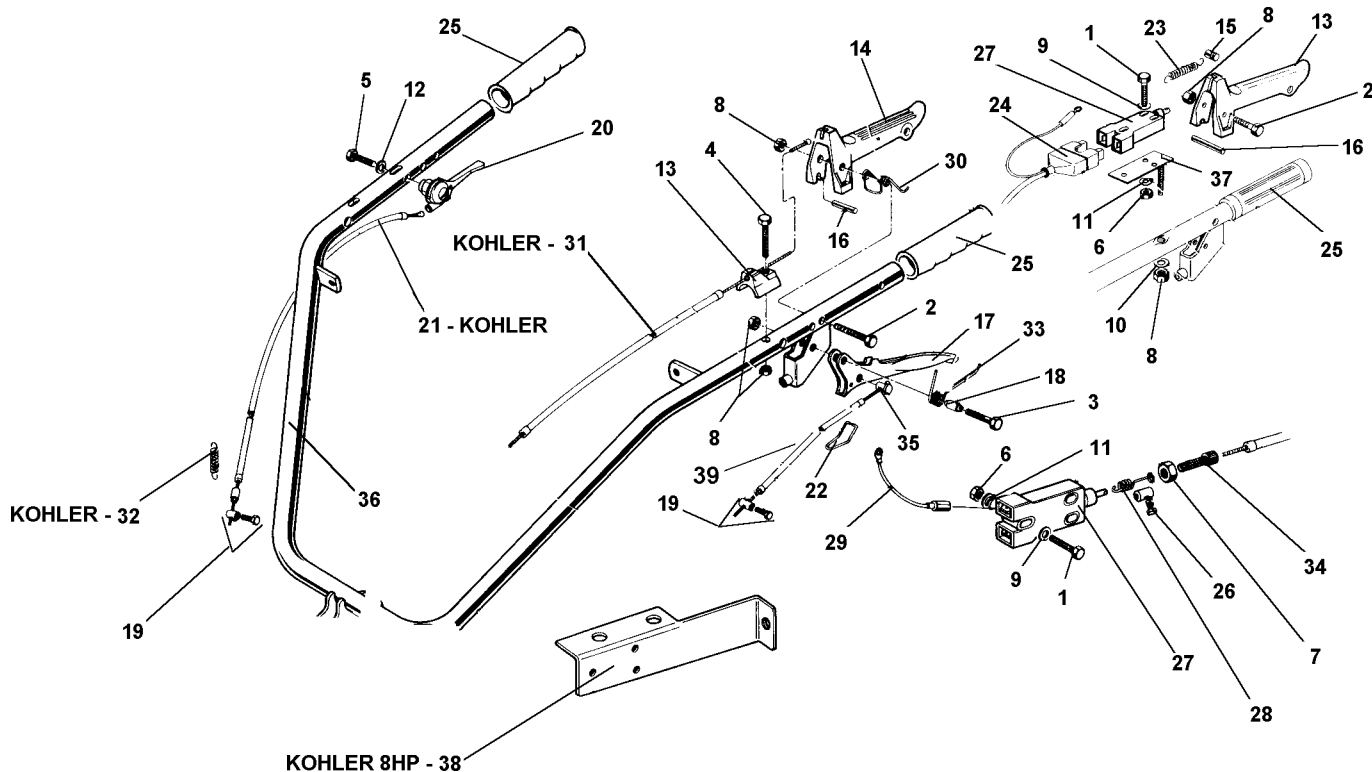
# 725

# Handlebar

# Serial Number Range 180000 - -----

# 11.03

REVISED 02/01/02



ID	PARTNO	DESCRIPTION	DENOMINACION	NOTES
1	311.11086	SCREW TE M4 X 25	TORNILLO TE M4 X 25	
2	311.11097	SCREW TE M6 X 45	TORNILLO TE M6 X 45	
3	311.12089	SCREW M6 X 25	TORNILLO M6 X 25	
4	311.12092	SCREW M6 X 35	TORNILLO M6 X 35	
5	311.12154	SCREW TE M8 X 40	TORNILLO TE M8 X 40	
6	312.11040	NUT M4	TUERCA M4	
7	312.11060	NUT M6	TUERCA M6	
8	312.41060	NUT, SELF LOCKING M6	TUERCA AUTOBLOC. M6	
9	314.11043	FLAT WASHER 4.3	ARANDELA PLANA 4.3	
10	314.11064	FLAT WASHER 6.4 X 12.5	ARANDELA PLANA 6.4 X 12.5	
11	314.23043	LOCK WASHER 4.3	ARANDELA DE RES. 4.3	
12	314.23084	LOCK WASHER 8.4	ARANDELA DE RES. 8.4	
13	552.48038	CABLE STOP OF MOTOR STOP	FUNDA VAINA MOTOR STOP	
14	552.48041	MOTOR STOP LEVER	PALANCA MOTOR STOP	
15	561.47711	PIN	PERNO	
16	561.48037	LEVER STOP FOR MOTOR STOP	FIJACION PALANCA MOTOR STOP	
17	561.48040	CLUTCH LEVER	PALANCA	
18	561.50361	LEVER SPACER	SEPARADOR PALANCAS	
19	580.02429	CLAMP, CABLE	PASADOR	
20	580.02538	LEVER, ACCELERATOR	PALANCA MANDO GAS	
21	580.42486	THROTTLE CABLE, 725	CABLE Y VAINA GAS 725	
22	580.47649	HOOK	ENGANCHE	
23	580.47712	MOTOR STOP SPRING	MUELLE MOTOR STOP	
24	580.47718	MOTOR STOP CABLE, B&S	CABLES MOTOR STOP PARA B&S	
25	580.48000	KNOB	EMPUNADURA	
26	580.48002	CABLE CLAMP	PASADOR	
27	580.48009	STOP SWITCH	INTERRUPTOR STOP	
28	580.48010	SWITCH SPRING	MUELLE PARA INTERRUPTOR	
29	580.48011	SWITCH CABLES	CABLES INTERRUPTOR	
30	580.48039	MOTOR STOP LEVER SPRING	MUELLE PALANCA MOTOR STOP	
31	580.49505	STOP CABLE, 725 KOHLER	CABLE VAINA 725 KOHLER	
32	580.49786	SPRING, KOHLER THROTTLE	MUELLE MANDO GAS, KOHLER	
33	580.50345	LEVER SPRING	MUELLE PALANCA	
34	581.47704	ADJUSTING SCREW	TORNILLO REGULACION	
35	581.50313	BARREL	PASADOR	

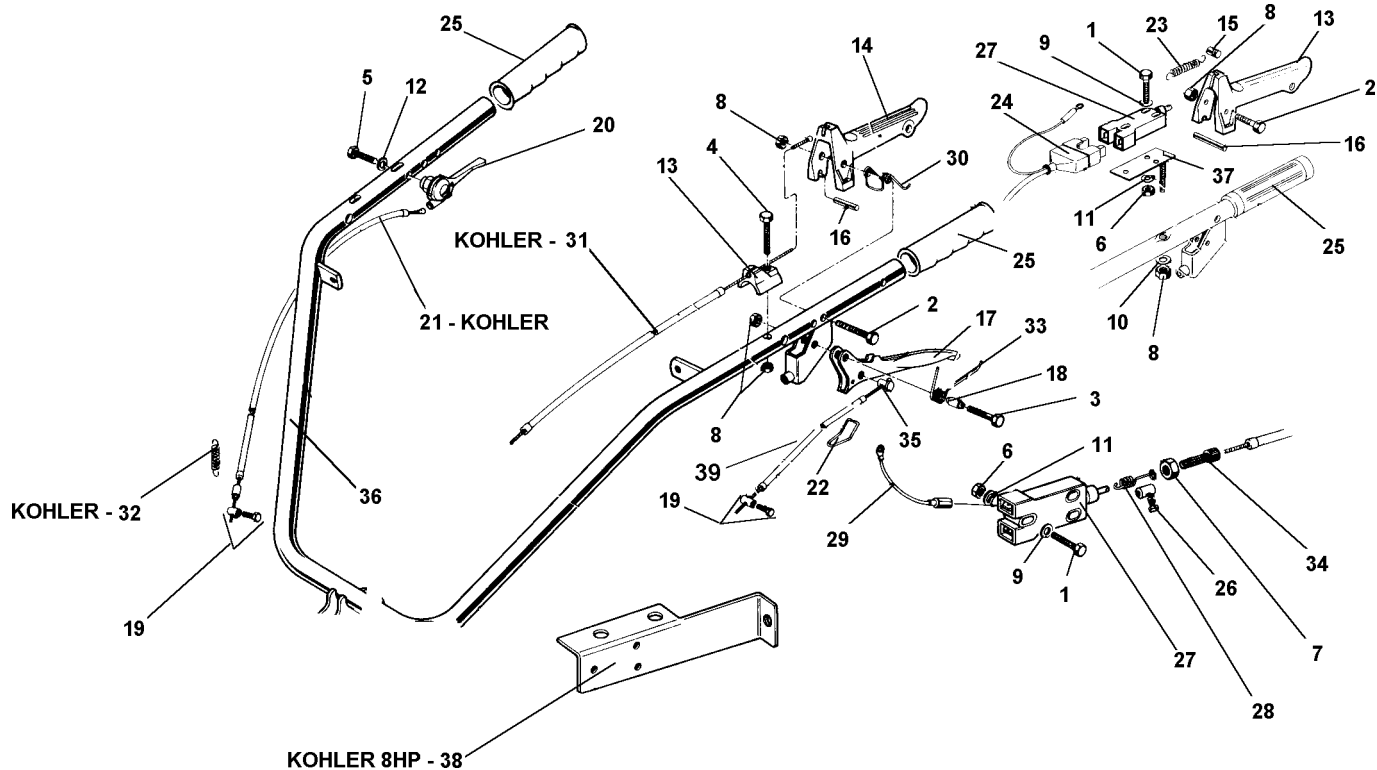
# 725

# Handlebar

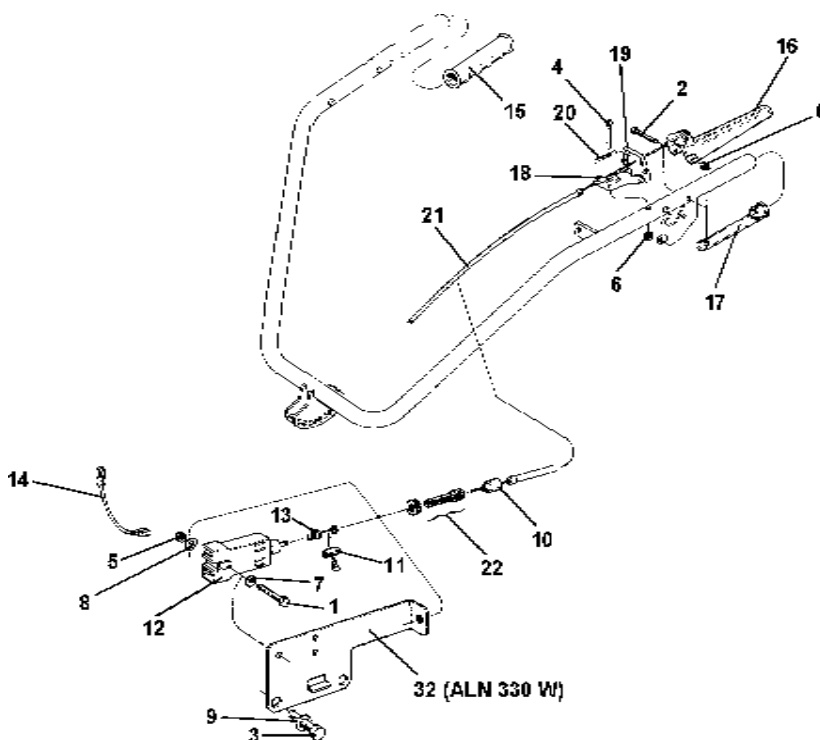
Serial Number Range  
180000 - -----

# 11.03

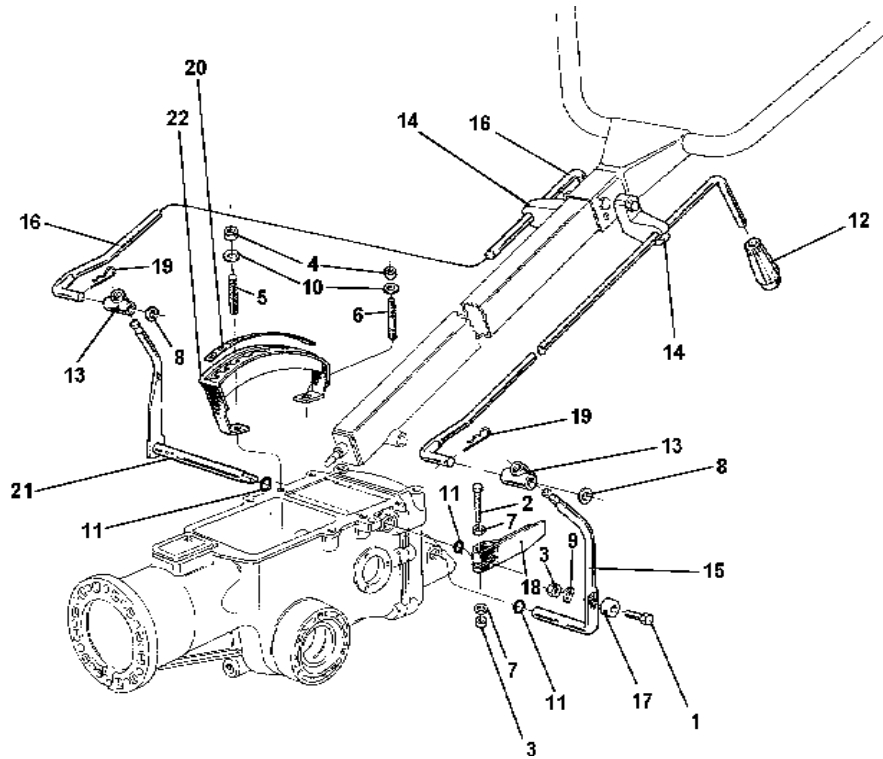
REVISED 02/01/02



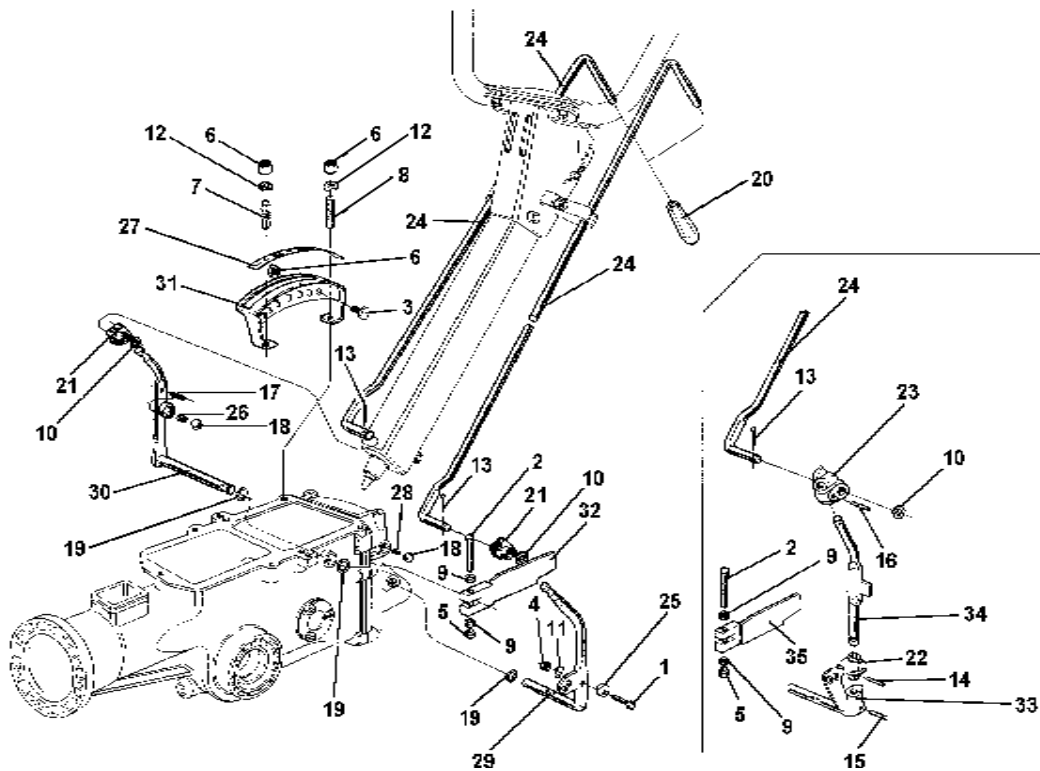
ID	PARTNO	DESCRIPTION	DENOMINACION	NOTES
36	590.43268	HANDLEBAR	MANILLAR	
37	590.47709	STOP SWITCH SUPPORT	SOPORTE INTERRUPTOR STOP	
38	590.49784	SWITCH SUPPORT, KOHLER	SOPORTE INTERRUPTOR KOHLER	
39	580.43216	CABLE, CLUTCH		



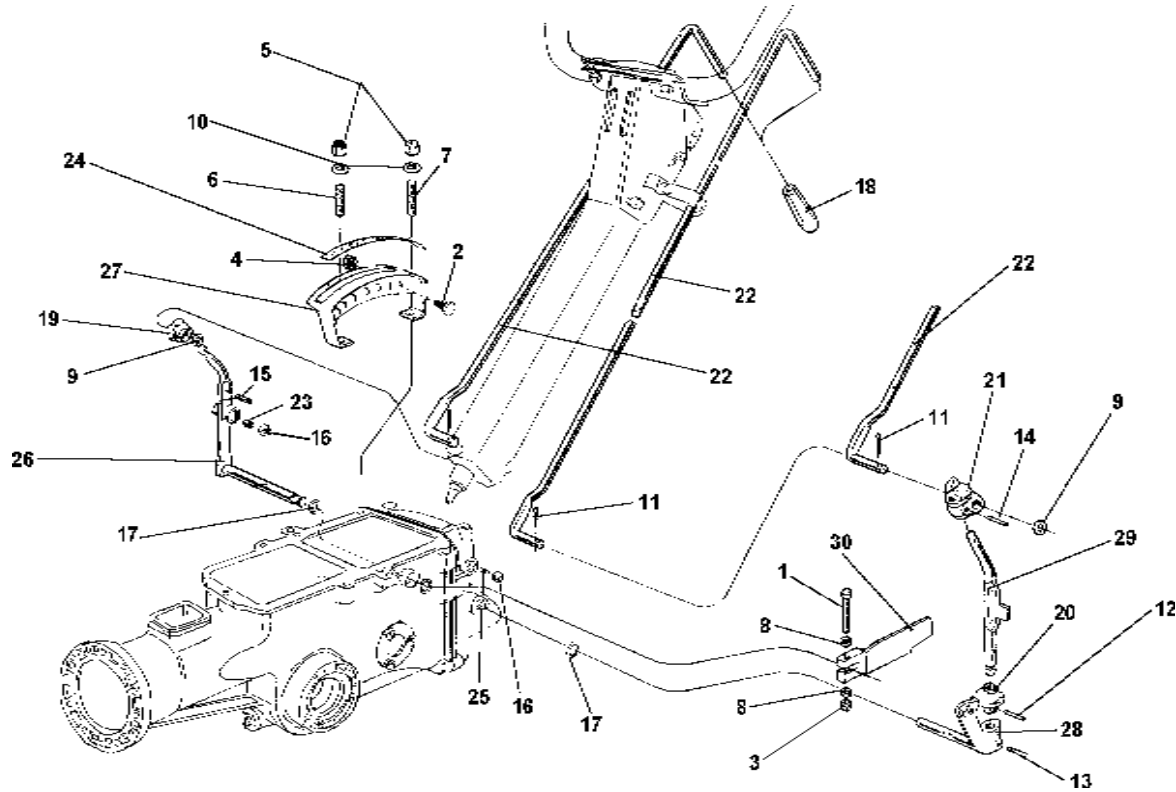
ID	PARTNO	DESCRIPTION	DENOMINACION	NOTES
1	311.11086	SCREW TE M4 X 25	TORNILLO TE M4 X 25	THESE ARE THE ENGINE STOP CONTROLS FOR THE HANDLEBAR ILLUSTRATED ON PAGE 11.00
2	311.11097	SCREW TE M6 X 45	TORNILLO TE M6 X 45	
3	311.11150	SCREW TE M8 X 12	TORNILLO TE M8 X 12	
4	311.31064	SCREW TSV M6 X 40	TORNILLO TSV M6 X 40	
5	312.11040	NUT M4	TUERCA M4	
6	312.41060	NUT, SELF LOCKING M6	TUERCA AUTOBLOC. M6	WHEN REPLACING ITEM NUMBERS 15 & 17 THEY WILL BE REPLACED BY 580.48000
7	314.11043	FLAT WASHER 4.3	ARANDELA PLANA 4.3	
8	314.23043	LOCK WASHER B 4.3	ARANDELA DE RES. B 4.3	
9	314.23084	WASHER, LOCK 8.4	ARANDELA DE RES. 8.4	
10	580.42167	END, SHEATH	BULON CABLE EMBRAGUE	
11	580.48002	CABLE CLAMP	PASADOR	WHEN REPLACING ANY OF ITEM NUMBERS 16,18, 19 & 20 YOU MUST REPLACE WITH PART NUMBERS 552.48038, 552.48041,561.48037 AND 580.48039.
12	580.48009	STOP SWITCH	INTERRUPTOR STOP	
13	580.48010	SWITCH SPRING	MUELLE PARA INTERRUPTOR	
14	580.48011	SWITCH CABLES	CABLES INTERRUPTOR	
15	580.48014	GRIP	MANIVELA	
16	580.48015	MOVABLE MOTOR STOP BODY	CUERPO MOTOR STOP	
17	580.48016	FIXED BODY	CUERPO FIJO	
18	580.48017	SHEATH LOCK	ESTACIONAMIENTO VAINA	
19	580.48018	MOVABLE BODY LOCK	ESTACIONAMIENTO CUERPO	
20	580.48019	SPRING	MUELLE	
21	580.48025	SHEATH CABLE	CABLE VAINA	
22	581.50309	ADJUSTING SCREW	TORNILLO REGULACION	
23	590.48003	SUPPORT FOR ACME STOP SWITCH	SOPORTE INTERR. STOP ACME	



ID	PARTNO	DESCRIPTION	DENOMINACION	NOTES
1	311.12089	SCREW M6 X 25	TORNILLO M6 X 25	
2	311.12091	SCREW M6 X 40	TORNILLO M6 X 40	
3	312.11060	NUT M6	TUERCA M6	
4	312.41080	NUT, SELF LOCKING M8	TUERCA AUTOBLOC. M8	
5	313.12082	STUD M8 X 38 X 14 X 20	PRISIONERO M8 X 38 X 14 X 20	
6	313.12083	STUD M8 X 46 X 16 X 16	PRISIONERO M8 X 46 X 16 X 16	
7	314.11064	WASHER, FLAT 6.4	ARANDELA PLANA 6.4	
8	314.11104	WASHER P10.5 X 18	ARANDELA P10.5 X 18	
9	314.22064	WASHER, LOCK 6.4	ARANDELA DE RES. 6.4	
10	314.23084	WASHER, LOCK 8.4	ARANDELA DE RES. 8.4	
11	381.11191	O-RING 115 11.91 X 2.62	OR 115 11.91 X 2.62	
12	551.42076	KNOB	POMO	
13	552.42528	JOINT, D 10	MANGUETA D 10	
14	552.43340	SUPPORT CONTROL ROD CUT	SOPORTE BARRA	
15	561.43166	P.T.O. LEVER	PALANCA TOMA DE FUERZA	
16	561.43360	ROD, CONTROL POWER TILLER	TIRANTE MANDOS MOTOCULTIV.	
17	561.48076	CONTRAST	CONTRASTE	
18	561.48082	PTO LOCKOUT	CONTRASTE PARA MARCHAS ATRAS	
19	580.43772	PIN, D2	PASADOR CARRO D2	
20	580.47955	PLATE, 5 SPEEDS WALKING TRAC	PLETINA 5 MARCHAS MOTOCULTIV.	
21	590.43188	GEARBOX LEVER	PALANCA CAMBIO	
22	590.48084	SELECTOR	SELECTOR MARCHAS	



ID	PARTNO	DESCRIPTION	DENOMINACION	NOTES
1	311.12089	SCREW M6 X 25	TORNILLO M6 X 25	
2	311.12091	SCREW M6 X 40	TORNILLO M6 X 40	
3	311.12148	SCREW M8 X 14	TORNILLO M8 X 14	
4	312.11060	NUT M6	TUERCA M6	
5	312.41060	NUT, SELF LOCKING M6	TUERCA AUTOBLOC. M6	
6	312.41080	NUT, SELF LOCKING M8	TUERCA AUTOBLOC. M8	
7	313.12083	STUD M8 X 38 X 14 X 20	PRISIONERO M8 X 38 X 14 X 20	
8	313.12083	STUD M8 X 46 X 16 X 16	PRISIONERO M8 X 46 X 16 X 16	
9	314.11064	WASHER, FLAT 6.4	ARANDELA PLANA 6.4	
10	314.11104	WASHER P10.5 X 18	ARANDELA P10.5 X 18	
11	314.22064	WASHER, LOCK 6.4	ARANDELA DE RES. 6.4	
12	314.23084	WASHER, LOCK 8.4	ARANDELA DE RES. 8.4	
13	341.10028	COTTER PIN	PASADOR A 3 X 15 UNI 1336 AC.	
14	342.13020	LOCKING PIN 4 X 20 SPIRAL	ESPINA DE RES. 4 X 20 ESPIRAL	
15	342.13023	SPRING PIN	ESPINA DE RESISTENCIA	
16	342.13024	LOCKING PIN 4 X 24 SPIRAL	ESPINA DE RES. 4 X 24 ESPIRAL	
17	342.13025	LOCKING PIN SPIRAL	ESPINA DE RES. ESPIRAL	
18	379.11532	BALL 15/32 RIV RB-11.906	BOLA 15/32 RIV RB-11.906	
19	381.11191	O-RING 115 11.91 X 2.62	OR 115 11.91 X 2.62	
20	551.42076	KNOB	POMO	
21	552.42528	JOINT, D 10	MANGUETA D 10	
22	552.48378	P.T.O. STOP RING	ANILLO CONTRASTE T.D.F.	
23	552.48379	P.T.O. ARTICULATION	MANGUETA T.D.F.	
24	561.43360	ROD, CONTROL, POWER TILLER	TIRANTE MANDOS MOTOCULTIV.	
25	561.48076	CONTRAST	CONTRASTE	
26	580.43176	SPRING	MUELLE	
27	580.47955	PLATE 5 SPEEDS WALKING TRAC	PLETINA 5 MARCHAS MOTOCULTIV.	
28	580.48369	P.T.O. SPRING	MUELLE TOMA DE FUERZA	
29	590.43166	P.T.O. LEVER	PALANCA TOMA DE FUERZA	
30	590.48045	GEARBOX LEVER	PALANCA CAMBIO	
31	590.48050	SELECTOR	SELECTOR MARCHAS	
32	590.48089	P.T.O. LOCKOUT	CERRAR LA PUERTA T.D.F.	
33	590.48372	P.T.O. CONTROL PIN	PERNO MANDO TOMA DE FUERZA	
34	590.48375	P.T.O. CONTROL LEVER	PALANCA MANDO TOMA DE FUERZA	
35	590.48381	P.T.O. LOCKOUT	CERRAR LA PUERTA T.D.F.	



ID	PARTNO	DESCRIPTION	DENOMINACION	NOTES
1	311.12091	SCREW M6 X 40	TORNILLO M6 X 40	
2	311.12148	SCREW M8 X 14	TORNILLO M8 X 14	
3	312.41060	NUT, SELF LOCKING M6	TUERCA AUTOBLOC. M6	
4	312.41080	NUT, SELF LOCKING M8	TUERCA AUTOBLOC. M8	
5	312.41085	NUT	TUERCA	
6	313.12083	STUD M8 X 38 X 14 X 20	PRISIONERO M8 X 38 X 14 X 20	
7	313.12083	STUD M8 X 46 X 16 X 16	PRISIONERO M8 X 46 X 16 X 16	
8	314.11064	FLAT WASHER 6.4	ARANDELA PLANA 6.4	
9	314.11104	WASHER P10.5 X 18	ARANDELA P10.5 X 18	
10	314.21083	SUPER WASHER 8 DIN 6796	SUPER ARANDELA 8 DIN 6796	
11	341.10028	COTTER PIN	PASADOR A 3 X 15 UNI 1336 AC.	
12	342.13020	LOCKING PIN 4 X 20 SPIRAL	ESPINA DE RES. 4 X 20 ESPIRAL	
13	342.13023	SPRING PIN	ESPINA DE RESISTENCIA	
14	342.13024	LOCKING PIN 4 X 24 SPIRAL	ESPINA DE RES. 4 X 24 ESPIRAL	
15	342.13025	LOCKING PIN SPIRAL	ESPINA DE RES. ESPIRAL	
16	379.11532	BALL 15/32 RIV RB-11.906	BOLA 15/32 RIV RB-11.906	
17	381.11191	O-RING 115 11.91 X 2.62	OR 115 11.91 X 2.62	
18	551.42076	KNOB	POMO	
19	552.42528	JOINT, 715, 725, 735	MANGUETA, 715, 725, 735	
20	552.48378	PTO STOP RING	ANILLO CONTRASTE T.D.F.	
21	552.48379	PTO ARTICULATION	MANGUETA TOMA DE FUERZA	
22	561.43360	ROD, CONTROL, POWER TILLER	TIRANTE MANDOS MOTOCULTIV.	
23	580.43176	SPRING	MUELLE	
24	580.43318	SPEED DECAL, 725, 735, 745	BLOQUE MARCHAS MOTOCULTIV.	
25	580.48369	PTO SPRING	MUELLE TOMA DE FUERZA	
26	590.48045	GEARBOX LEVER	PALANCA CAMBIO	
27	590.48050	SPEED QUADRANT, 725, 735, 745	SELECTOR MARCHAS	
28	590.48372	PTO CONTROL PIN, 715, 725, 735	PERNO MANDO TOMA DE FUERZA	
29	590.48375	PTO CONTROL LEVER	PALANCA MANDO TOMA DE FUERZA	
30	590.48381	PTO LOCKOUT, 725, 735	CERRAR LA PUERTA T.D.F., 725, 735	

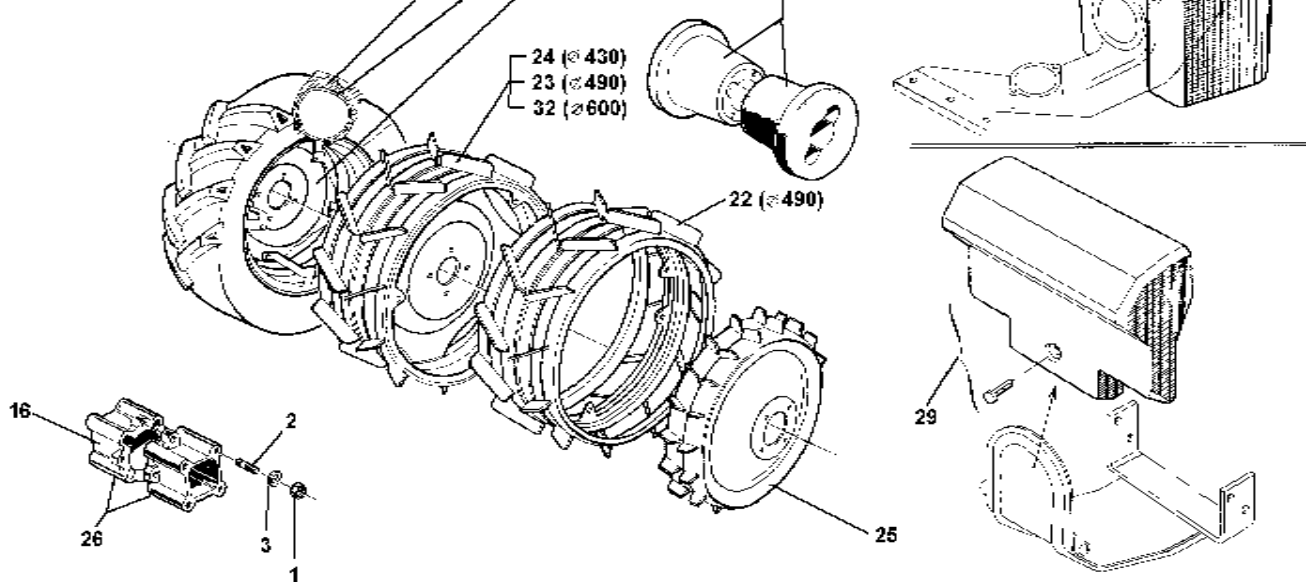
# 725

# Wheels

## Serial Number Range 40000 - -----

# 14.00

4.00-8"	4	10	19	27	48 LB. PER PAIR
4.0-10"	5	11	21	28	66 LB. PER PAIR
5.0-10"	6	12	21	28	66 LB. PER PAIR
5.00-12"	7	13	17	28	66 LB. PER PAIR
5.00-12"	7	13	20	(715)	30 150 LB. PER PAIR
6.5/80-12"	8	14	20	30	150 LB. PER PAIR
6.5/80-15"	9	15	18	30	150 LB. PER PAIR



ID	PARTNO	DESCRIPTION	DENOMINACION	NOTES
1	312.11100	NUT M10	TUERCA M10	
2	313.12102	STUD M10 X 40 X 22 X 14	PRISIONERO M10 X 40 X 22 X 14	
3	314.23105	WASHER, LOCK 10.5	ARANDELA DE RES. 10.5	
4	391.14008	TIRE TRACTOR 4.00 X 8	CUBIERTA DE NEUMATICO 4.00 X 8	
5	391.14010	TIRE TRACTOR 4.0 - 10	CUBIERTA TM 4.0 - 10	
6	391.15010	TIRE 5.0 X 10	CUBIERTA 5.0X 10	
7	391.15012	TIRE 5.00 - 12	CUBIERTA NEUMATICO 5.00 - 12	
8	391.16018	TIRE 6.5/80 - 12	CUBIERTA NEUMATICO 6.5/80 - 12	
9	391.16020	TIRE TRACTOR 6.5/80 X 15	CUBIERTA NEUMATICO 6.5/80 X 15	
10	394.14008	TUBE 4.00 X 8	CAMARA 4.00 X 8	
11	394.14010	TUBE 4.0 - 10	CAMARA DE AIRE 4.0 - 10	
12	394.15010	TUBE 5.0 - 10	CAMARA DE AIRE 5.0 - 10	
13	394.15012	TUBE 5.00 - 12	CAMARA DE AIRE 5.00 - 12	
14	394.16018	TUBE 6.5/80 X 12	CAMARA DE AIRE 6.5/80 X 12	
15	394.16020	TUBE 6.5/80 X 15	CAMARA DE AIRE 6.5/80 X 12	
16	531.43712	WHEEL SPACER	SEPARADOR RUEDA	
17	580.42132	RIM, 12 OFFSET COUPLING	LLANTA 12 CON ACCOPLAMIENTO	
18	580.42746	RIM 5 J 15 INCH ADJ. TRACK	LLANTA 5 J 15	
19	580.43250	WHEEL, DISK, 2.50 - 8	RUEDA EN DISCO 2.50 - 8	
20	580.44804	RIM 5JA - 12 INCH. ADJ. TRACK	LLANTA 5JA - 12"	
21	580.48330	RIM 3.50 D 10 (INCH) C.VAR.COM.	LLANTA 3.50 D 10"	
22	922.42460	RINGS, 19" CAGE WHEELS (PR)	ANILLOS, 19" METAL RUEDAS (PR)	
23	922.42474	WHEELS, STEEL CAGE, 19" (PR)	RUEDAS, EN DISCO METAL, 19" (PR)	
24	922.43682	WHEELS, STEEL CAGE, 17" (PR)	RUEDAS, EN DISCO METAL, 17" (PR)	
25	922.43683	NARROW NURSERY WHEELS (PR)	RUEDAS, ANGOSTO METAL (PR)	
26	922.43685	WHEEL SPACERS, 2.5" (PR)	SEPARADOR RUEDA, 2.5" (PR)	
27	922.43686	WEIGHTS FOR 4.00 X 8, (48#)(PR)	PESAS POR 4.00 X 8, (48#)(PR)	
28	922.48715	WEIGHTS FOR 10 1/2", (66#)(PR)	PESAS POR 10 1/2", (66#)(PR)	
29	922.48719	FRONT WEIGHT ASBY., (35#)(EA)	PESA, ANTERIOR, (35#)(EA)	
30	922.48720	WEIGHTS, 6 X 12/6.5 X 15, (150#)(PR)	PESAS, 6 X 12/6.5 X 15 (150#)(PR)	
31	922.48923	WEIGHT FOR CUTTER BAR, (EA)	PESA POR BARRA DE CORTE	
32	922.49994	WHEELS, STEEL CAGE, 24" (PR)	RUEDAS, EN DISCO METAL, 24" (PR)	