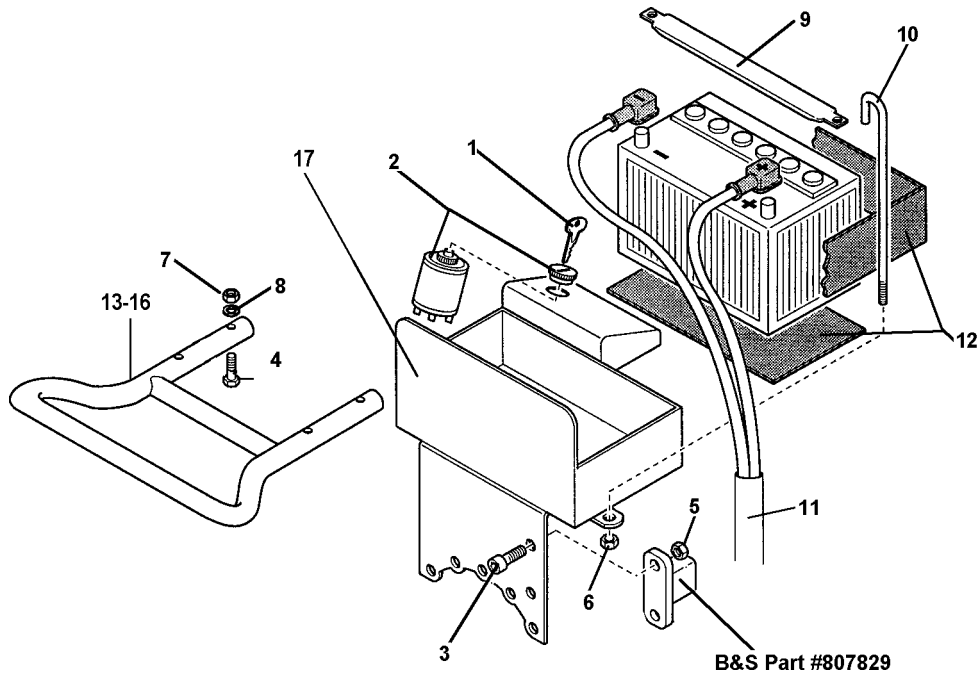


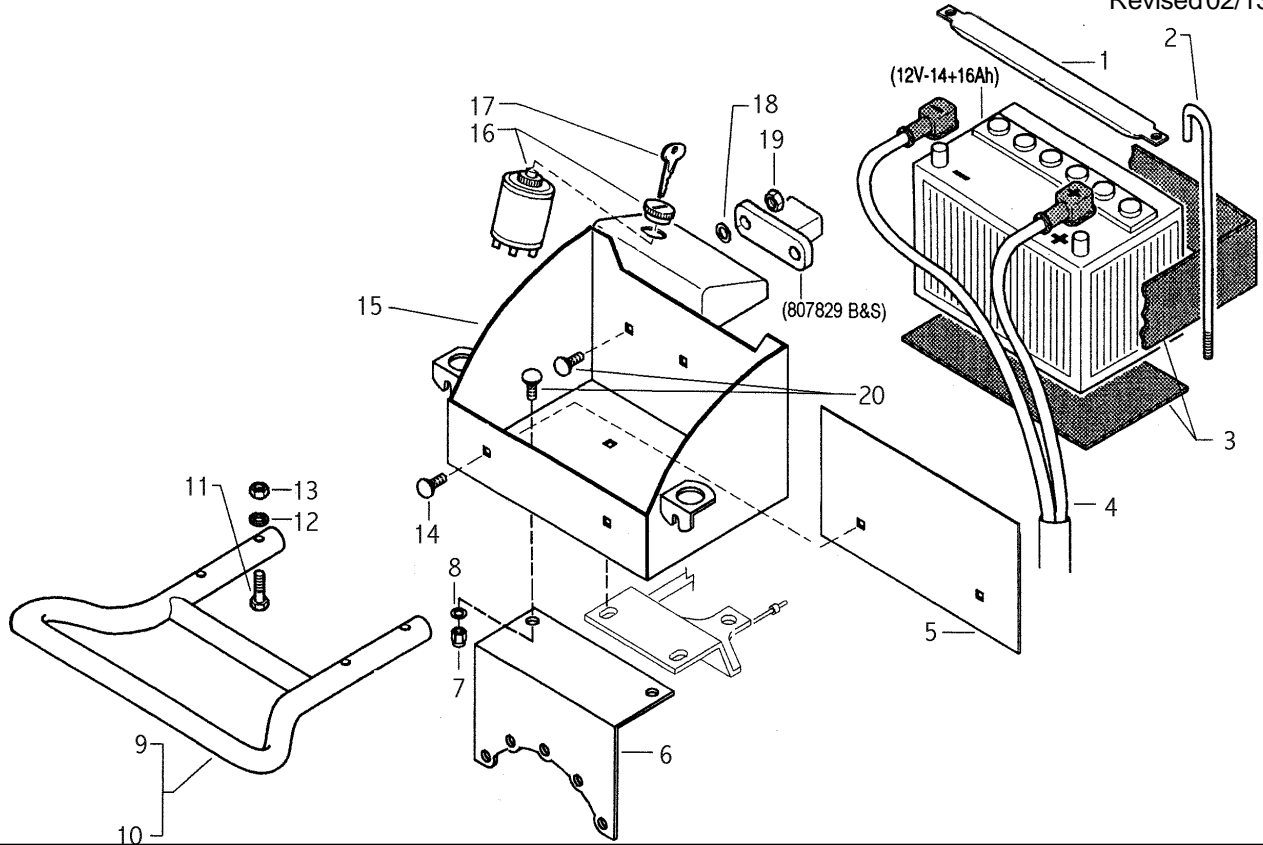


A M E R I C A



ID	PART NO	DESCRIPTION	DENOMINACION	NOTES
1	300.00276	KEY	LLAVE	
2	300.00277	SWITCH	INTERRUPTOR	
3	311.11090	SCREW TE M6X10	TORNILLO TE M6X10	
4	311.12156	SCREW M8X60	TORNILLO M8X60	
5	312.11060	NUT M6	TUERCA M6	
6	312.41060	NUT, SELF LOCKING M6	TUERCA AUTOBLOC. M6	
7	312.41080	NUT, SELF LOCKING M8	TUERCA AUTOBLOC. M8	
8	314.11084	FLAT WASHER 8.4	AUANDELA PLANA 8.4	
9	561.19937	BATTERY BRACKET	SOPORTE PARA BATERIA	
10	561.49590	BATTERY TIEROD	TIRANTE PARA BATERIA	
11	580.57378	ELECTRIC START CABLES 5HP	CABLEADO ARRANQUE ELECT.	
12	580.57381	BATTERY PADS	CAUCHO ANTI-COLPES	
13	590.56067	BUMPER STD, 5HP B&S STD, IP, INTEK & 5.5HP HONDA	PROTECCION POLEA	
14	590.56053	BUMPER STD., 8HP HONDA	PROTECCION POLEA	
15	922.56099	BUMPER WRAP AROUND, 5.5HP HONDA & INTEK (OPTIONAL)	PROTECCION POLEA	
16	922.56100	BUMPER WRAP AROUND, 8HP HONDA (OPTIONAL)	PROTECCION POLEA	
17	590.57375	BATTERY SUPPORT, 5HP & 8HP	SOPORTE BATERIA	

Revised 02/13/02



ID	PART NO	DESCRIPTION	DENOMINACION	NOTES
1	561.19937	BATTERY BRACKET	SOPORTE PARA BATERIA	
2	561.57387	BATTERY TIEROD	TIRANTE PARA BATERIA	
3	580.57397	BATTERY PADS	CAUCHO ANTI-COLPES	
4	580.47496	ELECTRIC START CABLES 5HP	CABLEADO ARRANQUE ELECT.	
5	561.57398	PLATE		
6	561.57393	PLATE		
7	312.41060	NUT		
8	314.11064	WASHER		
9	590.56053	BUMPER , INTEK ENGINES	PROTECTION POLEA	
10	590.56067	BUMBER, HONDA 5HP	PROTECTION POLEA	
11	311.12156	SCREW M8X60	TORNILLO M8X60	
12	314.11084	FLAT WASHER 8.4	AUANDELA PLANA 8.4	
13	312.41080	NUT, SELF LOCKING M8	TUERCA AUTOBLOC. M8	
14	311.21558	BOLT		
15	590.57395	BATTERY SUPPORT INTEK	SOPORTE BATERIA	
16	300.00277	SWITCH	INTERRUPTOR	
17	300.00276	KEY	LLAVE	
18	314.11090	WASHER		
19	312.41060	NUT		
20	31121558	BOLT		

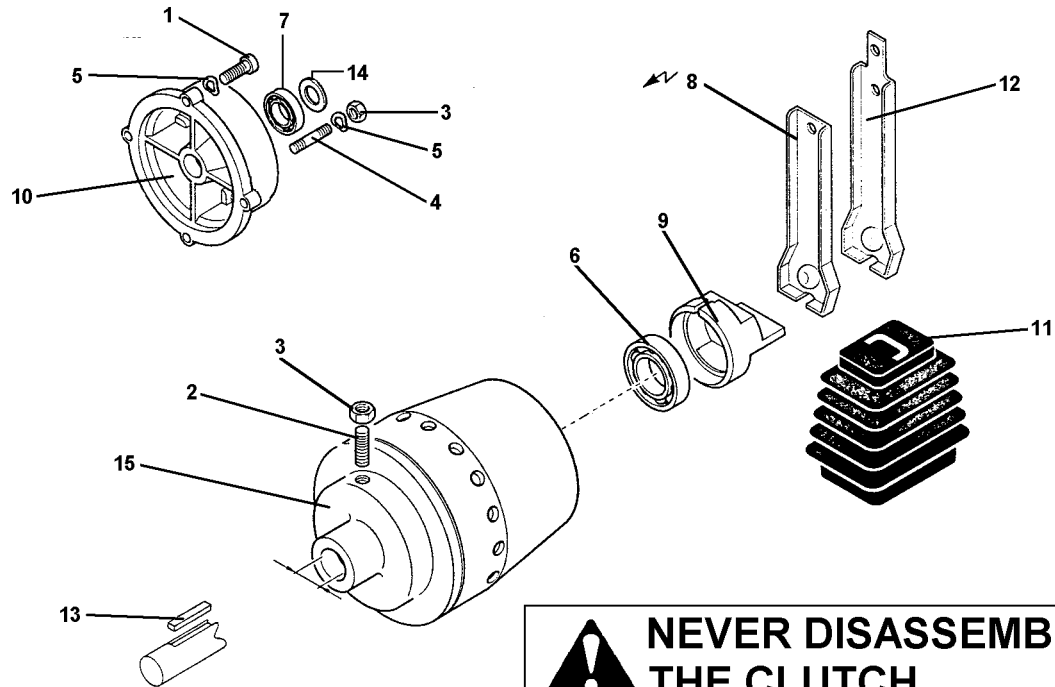
710

Clutch

Serial Number Range
100000 - 102478

02.00

Revised 02/13/02



**NEVER DISASSEMBLE
THE CLUTCH**

ID	PART NO	DESCRIPTION	DENOMINACION	NOTES
1	311.00003	SCREW 5/16X7/8"	TORNILLO 5/16X7/8"	
2	311.00786	SCREW M8X30	TORNILLO M8X30	
3	312.11080	NUT, M8	TUERCA, M8	
4	313.12088	STUD, M8X40X14X14	PRISIONERO, M8X40X14X14	
5	314.23084	WASHER, WAVE	ARANDELA	
6	371.12173	BEARING, M17X40X12	COJINETE, M17X40X12	
7	371.12231	BEARING, 20X47X14	CONJINETE 20X47X14	
8	509.47833	CLUTCH LEVER, ELECTRIC START	PALANCA	
9	524.47896	CONE PUSHER	EMPUJADOR CONO	
10	532.47468	FLANGE, 5HP B&S	BRIDA PARA MOTOR, 5HP B&S	
11	551.47842	BOOT	FUELLE	
12	561.47845	LEVER, RECOIL START	PALANCA EMBRAGUE	
13	563.49782	KEY	LINGUETA	
14	563.56251	WASHER, 5HP	ARANDELA, 5HP B&S	
15	592.43150	CLUTCH, 5HP B&S .75" SHAFT	EMBRAGUE A CONICO, 5HP B&S	

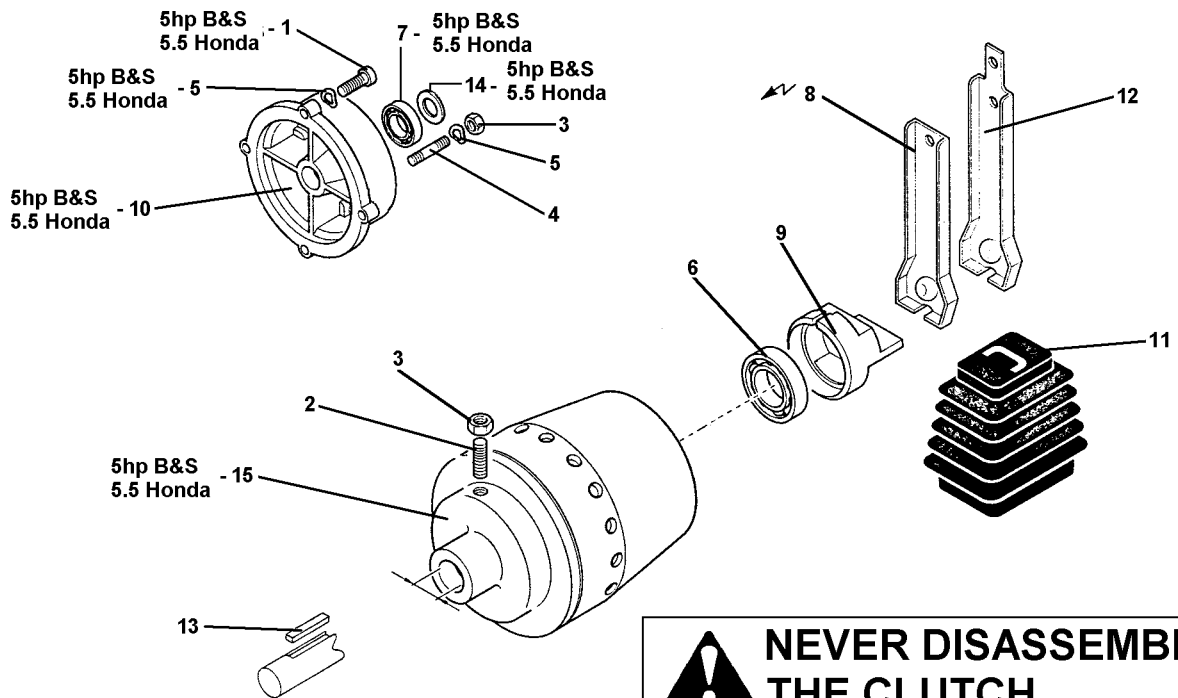
710

Clutch

Serial Number Range
102479 - 116637

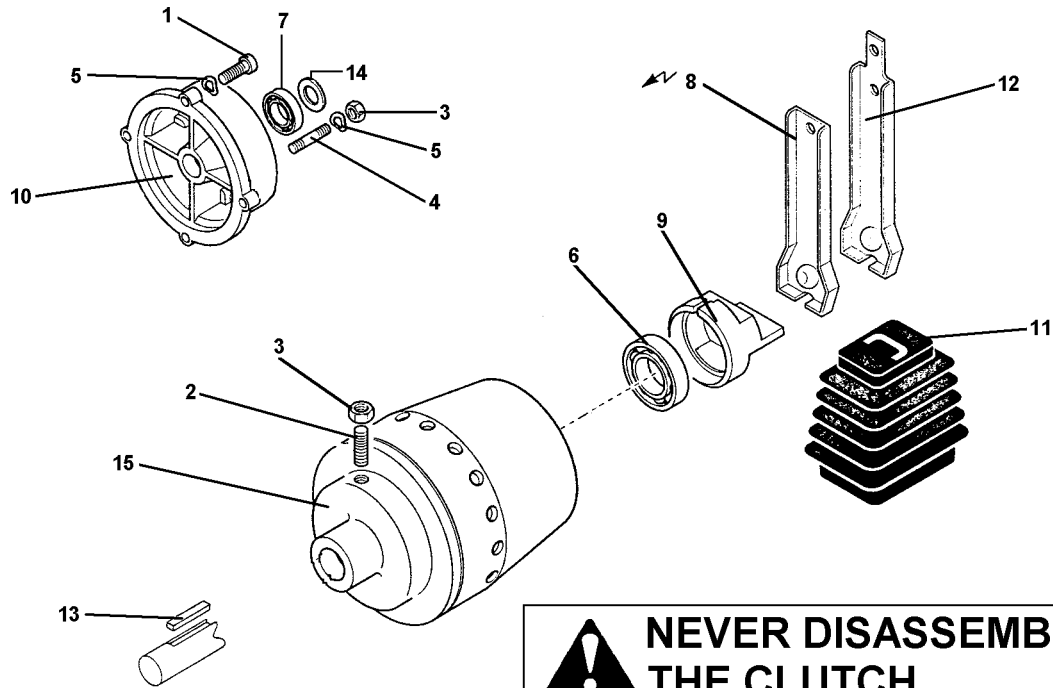
02.01

Revised 02/13/02



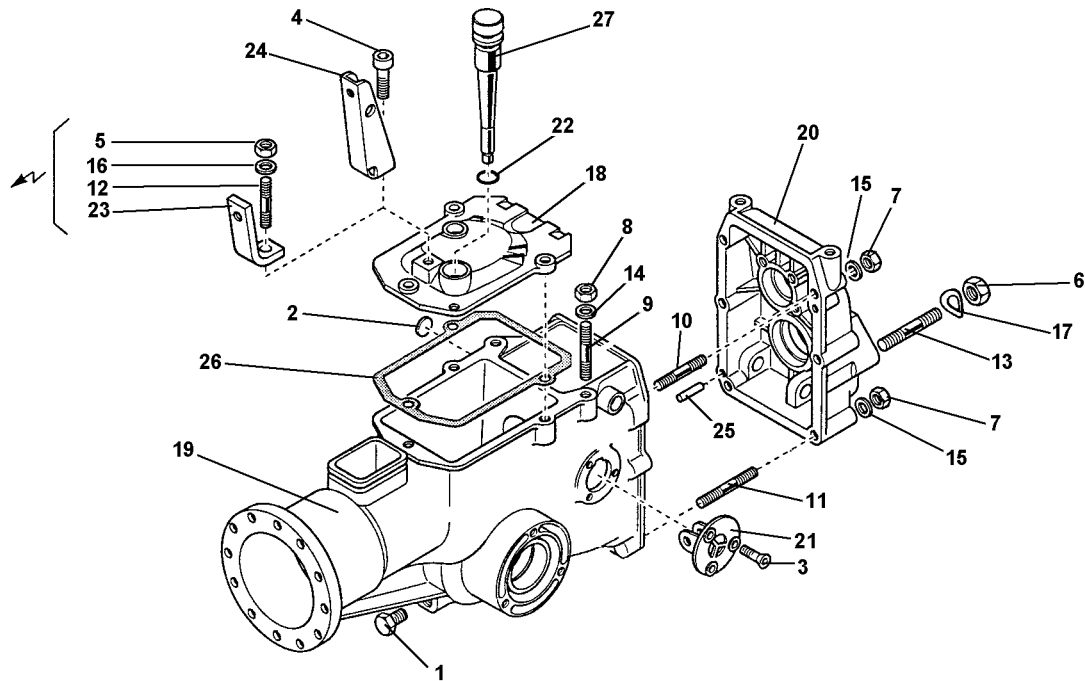
NEVER DISASSEMBLE THE CLUTCH

ID	PART NO	DESCRIPTION	DENOMINACION	NOTES
1	311.00003	SCREW 5/16X7/8"	TORNILLO 5/16X7/8"	THIS ILLUSTRATION COVERS THE 710 UNITS THAT HAVE THE 5HP C.A.R.B. ENGINE. THE CLUTCH SPACER IS NO LONGER USED.
2	311.00786	SCREW M8X30	TORNILLO M8X30	
3	312.11080	NUT, M8	TUERCA, M8	
4	313.12088	STUD, M8X40X14X14	PRISIONERO, M8X40X14X14	
5	314.23084	WASHER, WAVE	ARANDELA	
6	371.12173	BEARING, M17X40X12	COJINETE, M17X40X12	
7	371.12231	BEARING, 20X47X14	CONJINETE 20X47X14	
8	509.47833	CLUTCH LEVER, ELECTRIC START	PALANCA	
9	524.47896	CONE PUSHER	EMPUJADOR CONO	
10	532.47468	FLANGE, 5HP B&S & 5.5 HONDA	BRIDA PARA MOTOR, 5HP B&S	
11	551.47842	BOOT	FUELLE	
12	561.47845	LEVER, RECOIL START	PALANCA EMBRAGUE	
13	563.49782	KEY	LINGUETA	
14	563.56251	WASHER, 5HP B&S & 5.5 HONDA	ARANDELA, 5HP B&S	
15	592.56252	CLUTCH, 5HP B&S & 5.5 HONDA, .75" SHAFT	EMBRAGUE A CONICO, 5HP B&S	



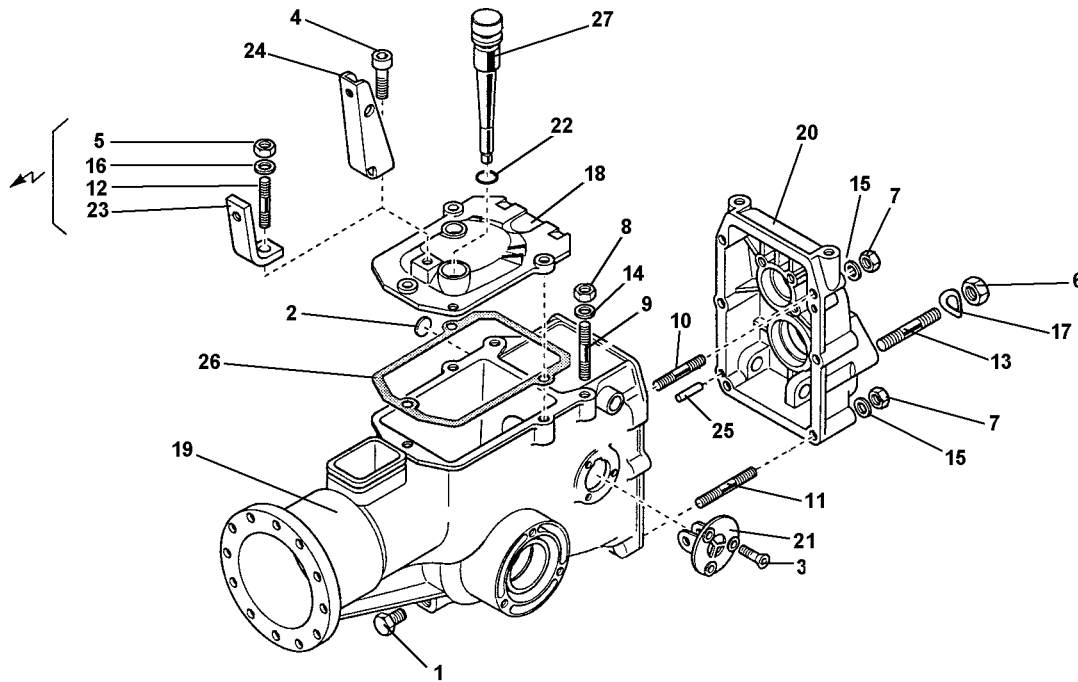
NEVER DISASSEMBLE THE CLUTCH

ID	PART NO	DESCRIPTION	DENOMINACION	NOTES
1	311.00003	SCREW 5/16X7/8"	TORNILLO 5/16X7/8"	
2	311.00786	SCREW M8X30	TORNILLO M8X30	
3	312.11080	NUT, M8	TUERCA, M8	
4	313.12088	STUD, M8X40X14X14	PRISIONERO, M8X40X14X14	
5	314.23084	WASHER, WAVE	ARANDELA	
6	371.12173	BEARING, M17X40X12	COJINETE, M17X40X12	
7	371.12231	BEARING, M20X47X14	COJINETE 30X55X13	
8	509.56262	CLUTCH LEVER, ELECTRIC START	PALANCA	
9	524.47896	CONE PUSHER	EMPUJADOR CONO	
10	532.47488	FLANGE	BRIDA PARA MOTOR,	
11	551.57609	BOOT, ELECTRIC START	FUELLE	
11	551.47842	BOOT, RECOIL START	FUELLE	
12	561.47845	CLUTCH LEVER, RECOIL START	PALANCA EMBRAGUE	
13	563.49782	KEY, 5.5 INTEK	LINGUETA	
13	563.56165	KEY, GX160	LINGUETA	
14	563.56251	WASHER	ARANDELA	
15	592.56252	CLUTCH, 5.5 INTEK & GX160	EMBRAGUE A CONICO,	



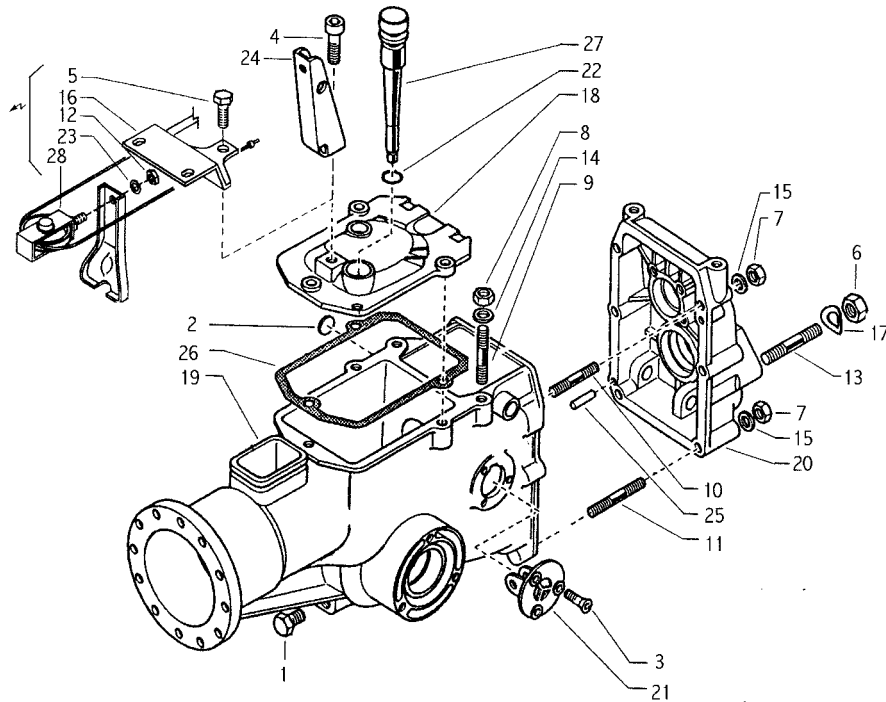
↗ = Electric Start Components

ID	PART NO	DESCRIPTION	DENOMINACION	NOTES
1	300.40001	PLUG	TAPON	
2	300.40133	COVER	TAPA	
3	311.32562	SCREW, COUNTER SUNK, M6X16	TORNILLO ,6X10	
4	311.52103	SCREW M10X25	TORNILLO M10X25	
5	312.11100	NUT, M10	TUERCA, M10	
6	312.21121	NUT, M12X1.25	TUERCA M12X1.25	
7	312.41080	NUT, SELF LOCKING M8	TUERCA AUTOBLOC. M8	
8	312.41085	NUT	TUERCA	
9	313.12082	STUD M8X38X14X20	PRISIONERO M8X38X14X20	
10	313.12084	STUD M8X58X16X16	PRISIONERO M8X58X16X16	
11	313.12094	STUD M8X68	PRISIONERO M8X68	
12	313.12101	STUD M10X37	PRISIONERO M10X37	
13	313.12124	STUD M12X1.25X12X52	PRISIONERO M12X1.25X12X52	
14	314.21083	SUPER WASHER 8	SUPER ARANDELA 8	
15	314.23084	WASHER, LOCK 8.4	ARANDELA DE RES. 8.4	
16	314.23105	WAHSER M10.4	ARANDELA M10.4	
17	314.23130	WASHER, LOCK, M13	ARANDELA DE RES. M13	
18	531.43128	GEARBOX COVER	TAPA CAJA MANDO	
19	531.56325	GEAR BOX CASE	CAJA MANDO	
20	531.56332	REAR COVER	TAPA POSTERIOR	
21	531.56343	REVERSER GEAR COVER, 710	TAPA INVERTIDOR	
22	551.02678	"O" RING	ANILLO GOMA	
23	561.43878	CLUTCH BRACKET	SOPORTE CONTRASTE	
24	561.47923	CLUTCH BRACKET	SOPORTE CONTRASTE	
25	580.43053	PARALLEL PIN	ESPIÑA CIL.	
26	580.43117	GASKET, COVER	GUARNICION TAPA	
27	590.15425	CAP WITH DIP STICK	VARILLA NIVEL ACEITE CON TAPON	



⚡ = Electric Start Components

ID	PART NO	DESCRIPTION	DENOMINACION	NOTES
1	300.40001	PLUG	TAPON	
2	300.40133	COVER	TAPA	
3	311.32562	SCREW, COUNTER SUNK, M6X16	TORNILLO ,6X10	
4	311.52103	SCREW M10X25	TORNILLO M10X25	
5	312.11100	NUT, M10	TUERCA, M10	
6	312.21121	NUT, M12X1.25	TUERCA M12X1.25	
7	312.41080	NUT, SELF LOCKING M8	TUERCA AUTOBLOC. M8	
8	312.41085	NUT	TUERCA	
9	313.12082	STUD M8X38X14X20	PRISIONERO M8X38X14X20	
10	313.12084	STUD M8X58X16X16	PRISIONERO M8X58X16X16	
11	313.12094	STUD M8X68	PRISIONERO M8X68	
12	313.12101	STUD M10X37	PRISIONERO M10X37	
13	313.12124	STUD M12X1.25X12X52	PRISIONERO M12X1.25X12X52	
14	314.21083	SUPER WASHER 8	SUPER ARANDELA 8	
15	314.23084	WASHER, LOCK 8.4	ARANDELA DE RES. 8.4	
16	314.23105	WAHSER M10.4	ARANDELA M10.4	
17	314.23130	WASHER, LOCK, M13	ARANDELA DE RES. M13	
18	531.43128	GEARBOX COVER	TAPA CAJA MANDO	
19	531.56325	GEAR BOX CASE	CAJA MANDO	
20	531.56332	REAR COVER	TAPA POSTERIOR	
21	531.56342	REVERSER GEAR COVER, 710	TAPA INVERTIDOR	
22	551.02678	"O" RING	ANILLO GOMA	
23	561.43878	CLUTCH BRACKET	SOPORTE CONTRASTE	
24	561.47923	CLUTCH BRACKET	SOPORTE CONTRASTE	
25	580.43053	PARALLEL PIN	ESPIÑA CIL.	
26	580.43117	GASKET, COVER	GUARNICION TAPA	
27	590.15425	CAP WITH DIP STICK	VARILLA NIVEL ACEITE CON TAPON	



▲ = Electric Start Components

ID	PART NO	DESCRIPTION	DENOMINACION	NOTES
1	300.40001	PLUG	TAPON	
2	300.40133	COVER	TAPA	
3	311.32562	SCREW, COUNTER SUNK, M6X16	TORNILLO ,6X16	
4	311.52103	SCREW M10X25	TORNILLO M10X25	
5	311.12210	BOLT		
6	312.21121	NUT, M12X1.25	TUERCA M12X1.25	
7	312.41080	NUT, SELF LOCKING M8	TUERCA AUTOBLOC. M8	
8	312.41085	NUT	TUERCA	
9	313.12082	STUD M8X38X14X20	PRISIONERO M8X38X14X20	
10	313.12084	STUD M8X58X16X16	PRISIONERO M8X58X16X16	
11	313.12094	STUD M8X68	PRISIONERO M8X68	
12	312.41080	NUT		
13	313.12124	STUD M12X1.25X12X52	PRISIONERO M12X1.25X12X52	
14	314.21083	SUPER WASHER 8	SUPER ARANDELA 8	
15	314.23084	WASHER, LOCK 8.4	ARANDELA DE RES. 8.4	
16	561.57394	PLATE		
17	314.23130	WASHER, LOCK, M13	ARANDELA DE RES. M13	
18	531.43128	GEARBOX COVER	TAPA CAJA MANDO	
19	531.56325	GEAR BOX CASE	CAJA MANDO	
20	531.56332	REAR COVER	TAPA POSTERIOR	
21	531.56342	REVERSER GEAR COVER, 710	TAPA INVERTIDOR	
22	551.02678	"O" RING	ANILLO GOMA	
23	314.21083	WASHER		
24	561.47923	CLUTCH BRACKET	SOPORTE CONTRASTE	
25	580.43053	PARALLEL PIN	ESPINA CIL.	
26	580.43117	GASKET, COVER	GUARNICION TAPA	
27	590.15425	CAP WITH DIP STICK	VARILLA NIVEL ACEITE CON TAPON	
28	590.56258	PULLEY ASSEMBLY		

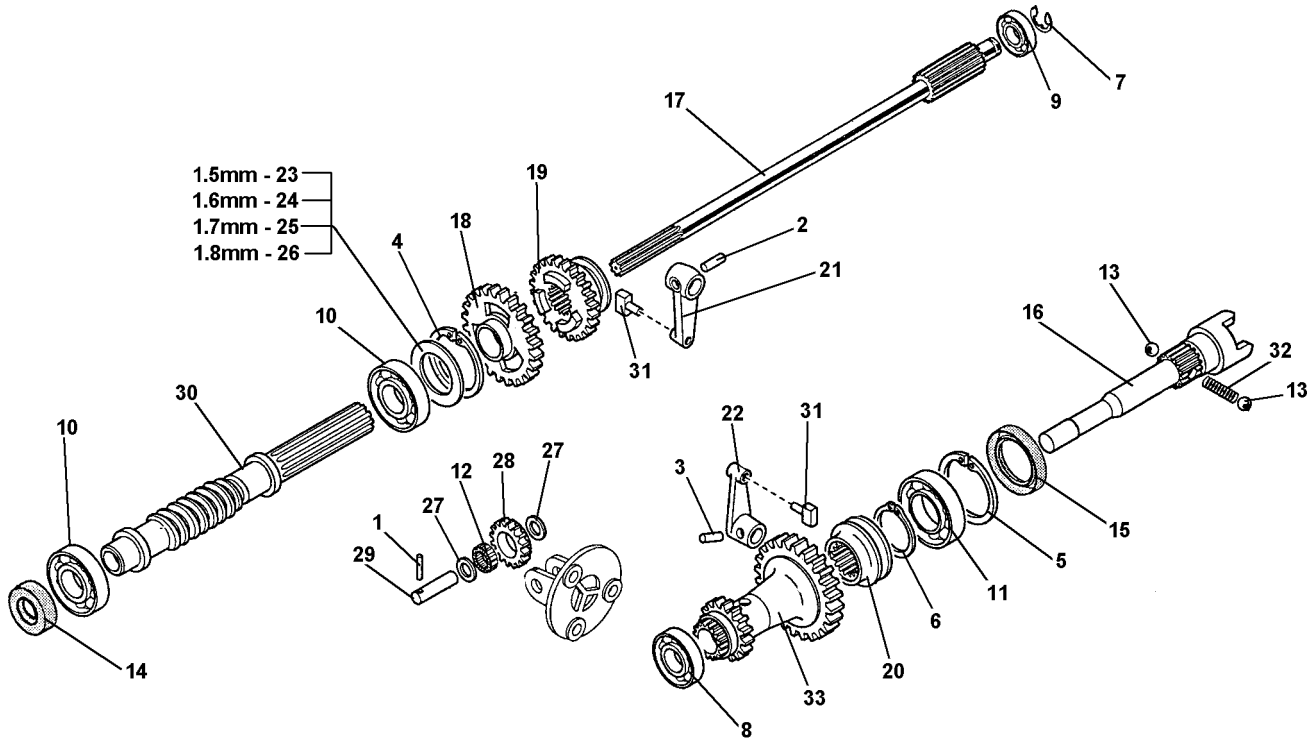
710

Transmission

Serial Number Range 100000 - 104556

04.00

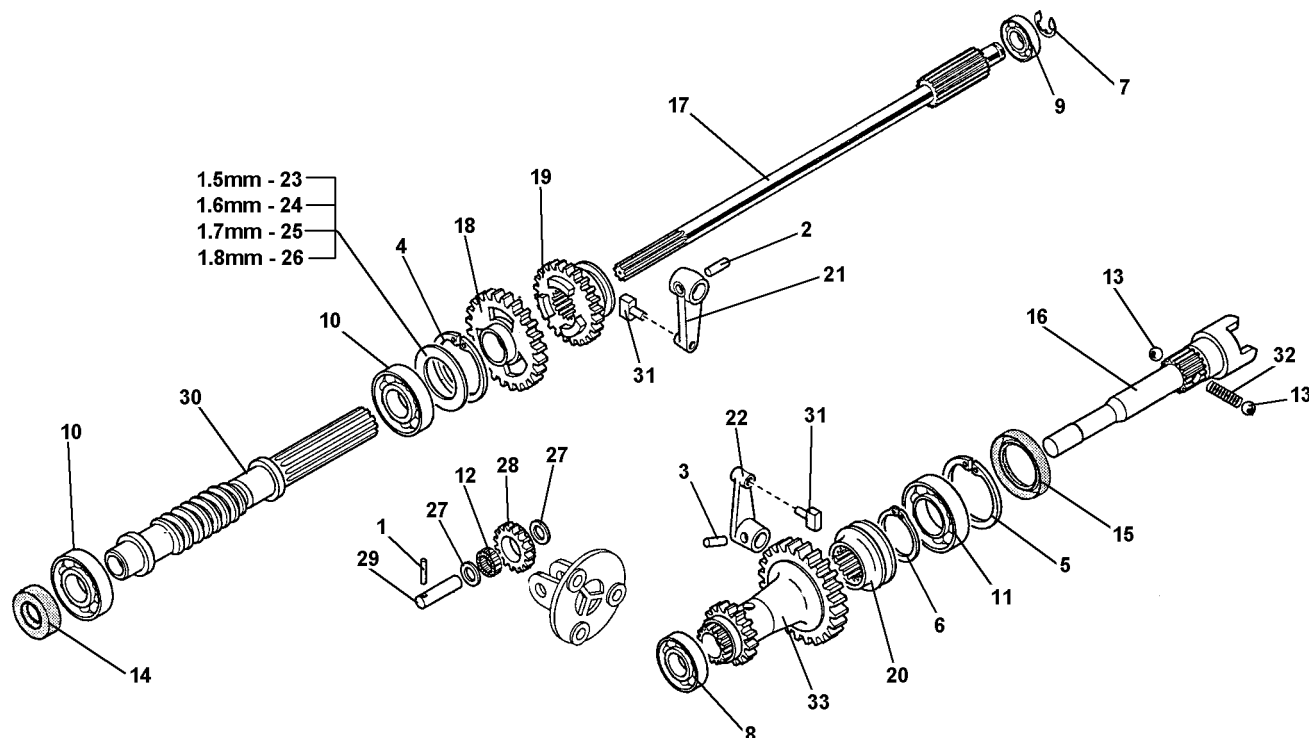
Revised 02/13/02



ID	PART NO	DESCRIPTION	DENOMINACION	NOTES
1	342.11025	LOCKING PIN, 2.5X22	ESP. DE RES. 2.5X22	
2	342.13060	LOCKING PIN, 6X24	ESP. DE RES. 6X24	
3	342.13061	LOCKING PIN, 6X20 SPIRAL	ESP. DE RES. 6X20 ESPIRAL	
4	351.11052	CIRCLIP, INTERNAL	SEEGER, INT	
5	351.11055	CIRCLIP, INTERNAL	SEEGER, INT.	
6	351.21031	CIRCLIP, EXTERNAL	SEEGER, EXT.	
7	352.11120	RETAINING RING	SEEGER	
8	371.11151	BEARING, 15X35X11	CONJIETE 15X35X11	
9	371.11152	BEARING, 15X42X13	CONJIETE 15X42X13	
10	371.11255	BEARING, 25X52X15	CONJINETE 25X52X15	
11	371.12229	BEARING, 30X55X13	CONJINETE 30X55X13	
12	373.20120	BEARING, 12X15X10	CONJINETE 12X15X10	
13	379.10832	BALL, 1/4"	BOLA 1/4"	
14	382.11501	OIL SEAL, 15X40X10	CHAPA RET. ACEITE 15X40X10	
15	382.13800	OIL SEAL, 38X55X7	CHAPA RET. ACEITE 38X55X7	
16	524.56335	PTO SHAFT	ARBOL TDF	
17	524.56339	MAIN SHAFT	ARBOL EMBRAGUE PARA INVERT.	
18	524.56354	FIRST GEAR	BARRA I VELOCIDAD	
19	524.56357	SLIDER GEAR	PINON DESPLAZABLE	
20	524.56362	PTO SLIDER	PINON DESPLAZABLE TDF	
21	524.56389	LEVER, SLIDER	PALANCA INVERTIDOR	
22	524.56390	LEVER, PTO ENGAGMENT	PALANCA TDF	
23	563.56328	SHIM, 1.5MM	ANILLO 1.5MM	
24	563.56329	SHIM, 1.6MM	ANILLO 1.6MM	
25	563.56330	SHIM 1.7MM	ANILLO 1.7MM	
26	563.56331	SHIM 1.8MM	ANILLO 1.8MM	
27	563.56348	WASHER	ARANDELA	
28	564.56347	REVERSE GEAR	ENGRANAJE INVERTIDOR	
29	564.56350	PIN, REVERSER GEAR	ARBOL ENGRANAJE INVERTIDOR	
30	564.56475	WORM GEAR	TORNILLO SIN FIN	
31	580.43086	SHOE	PATIN	
32	580.56391	SPRING, PTO BALLS	RESORTE BOLA TDF	
33	590.56375	DRIVE GEAR, BEFORE SERIAL #102479	ENGRANAJE	32- FOR EASY INSTALLATION USE TOOL # 900.51100
33	590.56378	DRIVE GEAR, AFTER SERIAL #102479	ENGRANAJE	

32- FOR EASY INSTALLATION USE
TOOL # 900.51100

33 - BEFORE SERIAL NUMBER
102479 THE DRIVE GEAR IS PART
NUMBER 590.56375. AFTER SERIAL
NUMBER 102479 THE DRIVE GEAR IS
PART NUMBER 590.56378.



ID	PART NO	DESCRIPTION	DENOMINACION	NOTES
1	342.11025	LOCKING PIN, 2.5X22	ESP. DE RES. 2.5X22	
2	342.13060	LOCKING PIN, 6X24	ESP. DE RES. 6X24	
3	342.13061	LOCKING PIN, 6X20 SPIRAL	ESP. DE RES. 6X20 ESPIRAL	
4	351.11052	CIRCLIP, INTERNAL	SEEGER, INT	
5	351.11055	CIRCLIP, INTERNAL	SEEGER, INT.	
6	351.21031	CIRCLIP, EXTERNAL	SEEGER, EXT.	
7	352.11120	RETAINING RING	SEEGER	
8	371.11151	BEARING, 15X35X11	CONJIETE 15X35X11	
9	371.11152	BEARING, 15X42X13	CONJIETE 15X42X13	
10	371.11255	BEARING, 25X52X15	CONJINETE 25X52X15	
11	371.12229	BEARING, 30X55X13	CONJINETE 30X55X13	
12	373.20120	BEARING, 12X15X10	CONJINETE 12X15X10	
13	379.10832	BALL, 1/4"	BOLA 1/4"	
14	382.11500	OIL SEAL, 15X28X7	CHAPA RET. ACEITE 15X28X7	
15	382.13800	OIL SEAL, 38X55X7	CHAPA RET. ACEITE 38X55X7	
16	524.56335	PTO SHAFT	ARBOL TDF	
17	524.56339	MAIN SHAFT	ARBOL EMBRAGUE PARA INVERT.	
18	524.56354	FIRST GEAR	BARRA I VELOCIDAD	
19	524.56356	SLIDER GEAR	PINON DESPLAZABLE	
20	524.56362	PTO SLIDER	PINON DESPLAZABLE TDF	
21	524.56389	LEVER, SLIDER	PALANCA INVERTIDOR	
22	524.56390	LEVER, PTO ENGAGMENT	PALANCA TDF	
23	563.56328	SHIM, 1.5MM	ANILLO 1.5MM	
24	563.56329	SHIM, 1.6MM	ANILLO 1.6MM	
25	563.56330	SHIM 1.7MM	ANILLO 1.7MM	
26	563.56331	SHIM 1.8MM	ANILLO 1.8MM	
27	563.56348	WASHER	ARANDELA	
28	564.56347	REVERSE GEAR	ENGRANAJE INVERTIDOR	
29	564.56350	PIN, REVERSER GEAR	ARBOL ENGRANAJE INVERTIDOR	
30	564.56475	WORM GEAR	TORNILLO SIN FIN	
31	580.43086	SHOE	PATIN	
32	580.56391	SPRING, PTO BALLS	RESORTE BOLA TDF	
33	590.56378	DRIVE GEAR	ENGRANAJE	

32- FOR EASY INSTALLATION USE
TOOL # 900.51100

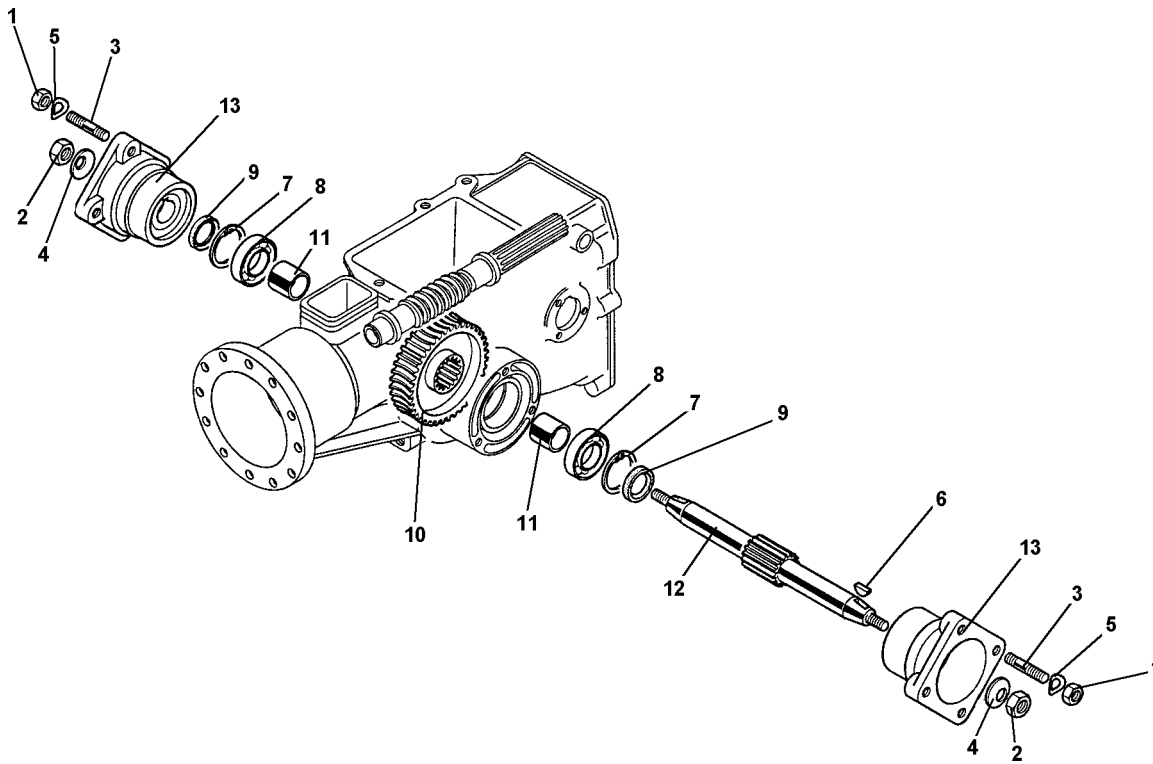
710

Wheel Axle

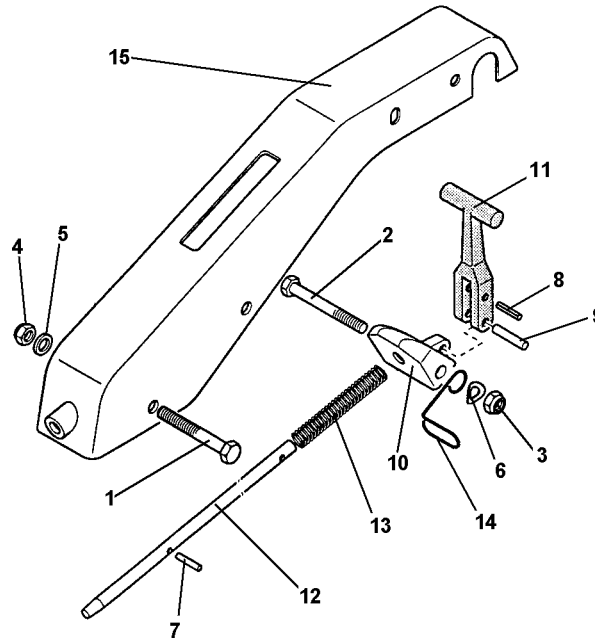
Serial Number Range
100000 - -----

05.00

Revised 02/13/02



ID	PART NO	DESCRIPTION	DENOMINACION	NOTES
1	312.11100	NUT, M10	TUERCA M10	
2	312.41120	NUT, SELF LOCKING M12	TUERCA AUTOBLOC. M12	
3	313.12102	STUD, M10X40X22X14	PRISIONERO M10X40X22X14	
4	314.21130	SUPER WASHER, 12	ARANDELA SUPER, 12	
5	314.23105	WASHER, LOCK 10.5	ARANDELA DE. RES. 10.5	
6	343.11060	KEY 6X10	LINGUETA 6X10	
7	351.11052	CIRCLIP, INTERNAL	SEEGER, INT.	
8	371.11255	BEARING 25X52X15	COJINETE 25X52X15	
9	382.12501	OIL SEAL, 25X52X10	CHAPA RET. A.C. 25X52X15	
10	541.43090	GEAR	CORONA	
11	561.43059	SPACER	SEPARADOR	
12	563.43058	WHEEL SHAFT	PARTE RUEDAS	
13	590.43063	HUB, WHEEL WITH STUDS	CUBO RUEDA CON PRISION	



ID	PART NO	DESCRIPTION	DENOMINACION	NOTES
1	311.12294	SCREW, M12X85	TORNILLO M12X85	
2	311.13210	SCREW, M10X80	TORNILLO M10X80	
3	312.41100	NUT, SELF LOCKING, M10	TUERCA HEX. INT. M10	
4	312.41120	NUT, SELF LOCKING, M12	TUERCA HEX. INT. M12	
5	314.21130	WASHER, M10.4	ARANDELA DE RES. 10.4	
6	314.23105	WASHER, LOCKING, M13	ARANDELA DE RES. M13	
7	342.11028	PIN, LOCKING	ESPIÑA DE RESISTENCIA	
8	342.11041	PIN, LOCKING, M4X35	ESP DE RES. M4X35	
9	342.21070	PIN, LOCKING	ESPIÑA CILINDRIC	
10	552.51686	SUPPORT, RD	SOPORTE PALANCA	
11	552.51688	ADJUSTING LEVER	PALANCA DE REGULACION	
12	563.51685	HANDLEBAR POSITION ROD	VARILLA MANILLAR	
13	580.42219	SPRING, ROD	MUELLE	
14	580.57266	CABLE GUIDE	GUIDE FILO	
15	590.51682	STEERING COLMUN	COLUMNA MANILLAR	

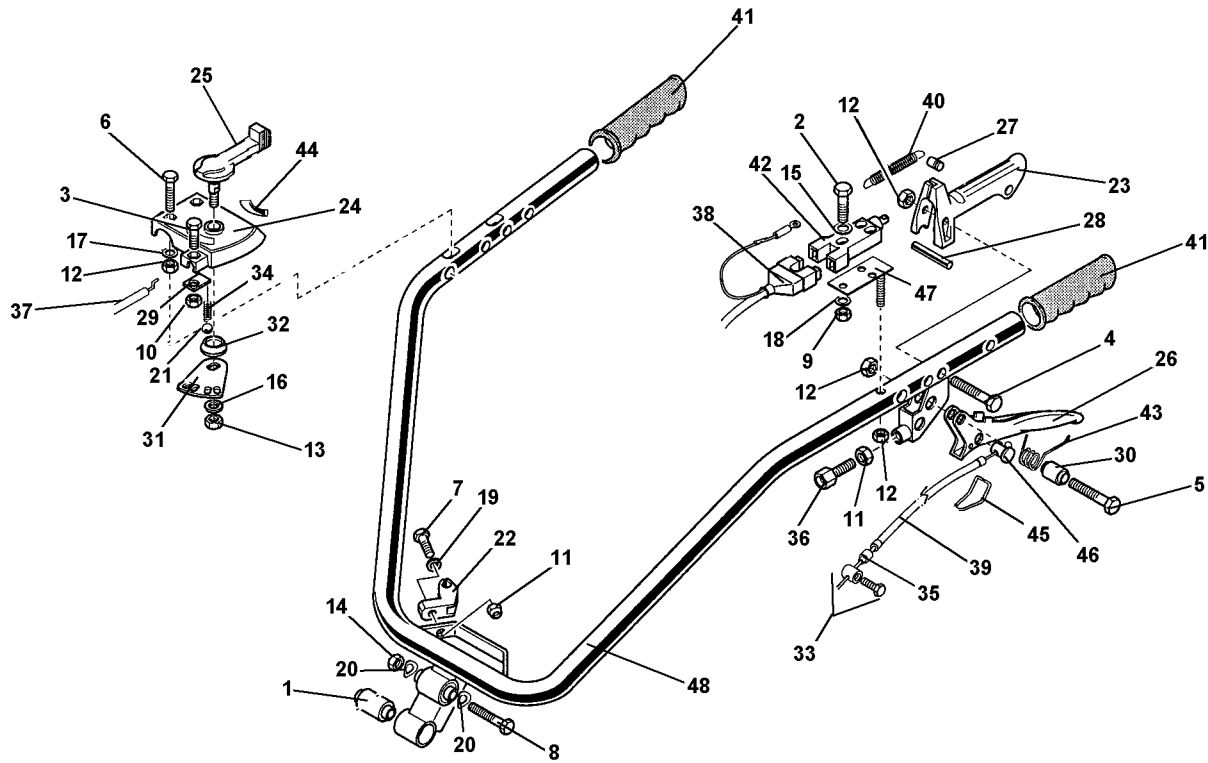
710

Handlebar

Serial Number Range 100000 - 104908

07.00

Revised 02/13/02



ID	PART NO	DESCRIPTION	DENOMINACION	NOTES
1	300.10103	SILENTBLOCK	SILENTBLOC	
2	311.11086	SCREW TE M4X25	TORNILLO TE M4X25	
3	311.11089	SCREW, M5X10	TORNILLO, M5X10	
4	311.11097	SCREW, TE M6X45	TORNILLO, TE M6X45	
5	311.12089	SCREW, M6X25	TORNILLO, M6X25	
6	311.12091	SCREW, M6X40	TORNILLO, M6X40	
7	311.12153	SCREW, M8X35	TORNILLO M8X35	
8	311.13210	SCREW, M10X80	TORNILLO, M10X80	
9	312.11040	NUT, M4	TUERCA M4	
10	312.11050	NUT, M5	TUERCA, M5	
11	312.11080	NUT, M8	TUERCA, M8	
12	312.41060	NUT, SELF LOCKING M6	TERCA AUTOBLOC. M6	
13	312.41083	NUT, M8	TUERCA, M8	
14	312.41100	NUT, M10	TUERCA, M10	
15	314.11043	FLAT WASHER, M4.3	AUANDELA PLANA, M4.3	
16	314.11130	WASHER, M8.4	AUANDELA, M8.4	
17	314.22064	LOCK WASHER, M6.4	ARANDELA DE RES. M6.4	
18	314.23043	LOCK WASHER, M4.3	ARANDELA DE RES. M4.3	
19	314.23084	WASHER, M8.4	ARANDELA M8.4	
20	314.23105	WAVE WASHER, M10.4	ARANDELA DE RES. M10.4	
21	379.10832	BALL, 1/4"	BOLA, 1/4"	
22	552.43340	SUPPORT, CONTROL ROD	SOPORTE BARRA	22- CAN BE REPLACED BY 552.43338 FOR USE ON UNITS WITH REAR ATTACHMENTS ONLY.
23	552.48041	MOTOR STOP LEVER	PALANCA MOTOR STOP	
24	552.50305	THROTTLE	MANDO GAS	25 - THIS THROTTLE CONTROL CAN BE REPLACE BY A BCS STANDARD THROTTLE CONTROL SYSTEM BY USING PART NUMBERS 580.02538, 311.12154, 314.23084, 580.42067 AND B&S PART NUMBER 492342.
25	552.50310	THROTTLE LEVER	PALANCA MANDO GAS	
26	561.47655	CLUTCH LEVER	PALANCA	
27	561.47711	SPRING PIN	ESPINA	
28	561.48037	LEVER STOP FOR MOTOR STOP	FIJACION PALANCA MOTOR STOP	
29	561.50358	PLATE	PLETINA	
30	561.50361	LEVER SPACER	SEPARADOR PALANCAS	
31	563.50306	THROTTLE LEVER	PALANCA MANDO GAS	
32	571.50312	SPRING	RONDELLA	
33	580.02429	CLAMP, CABLE	PASADOR	
34	580.42059	SPRING	RONDELLA	
35	580.42167	CABLE END	BULLON CABLE EMBRAGUE	

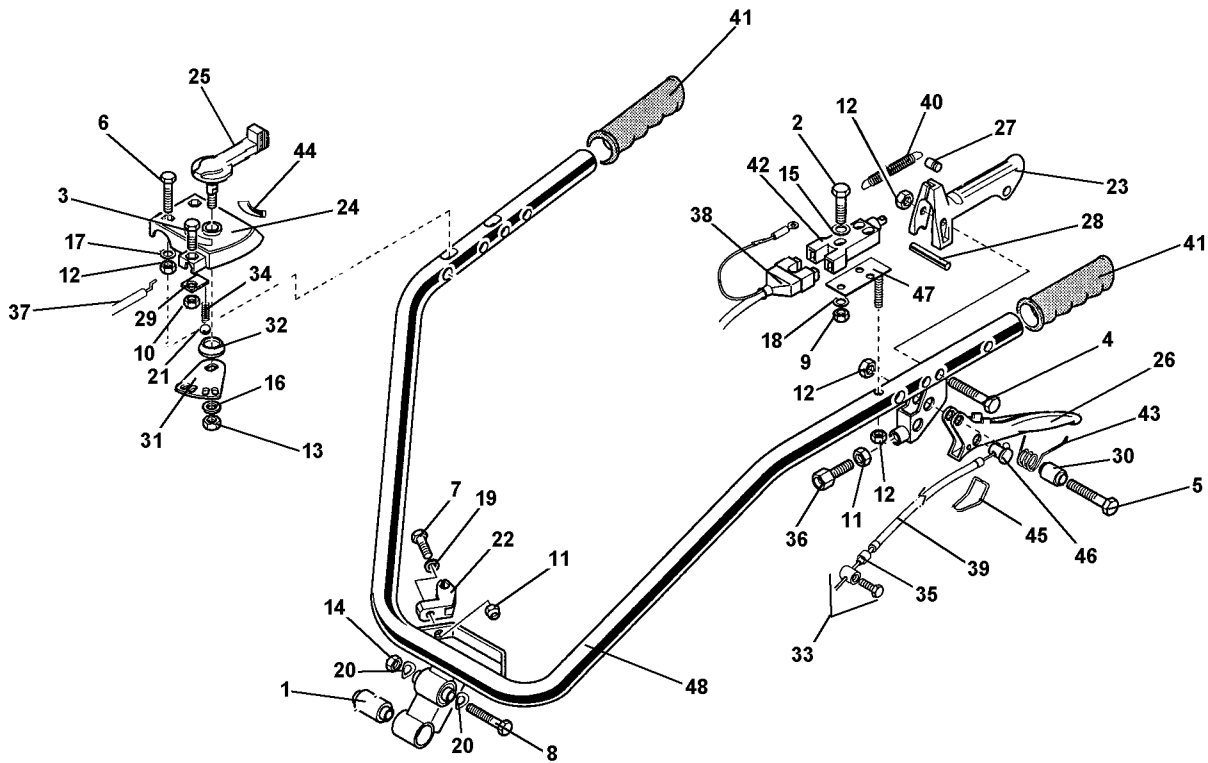
710

Handlebar

Serial Number Range
100000 - 104908

07.00

Revised 02/13/02



ID	PART NO	DESCRIPTION	DENOMINACION	NOTES
36	580.42202	SCREW, ADJUSTING, M8	TORNILLO REG. M8	37 - THE KOHLER THROTTLE CONTROL CAN REPLACE THE BRIGGS & STRATTON THROTTLE SYSTEM BY USING PART NUMBERS 580.02538, 311.12154, 314.23084, 580.42067 AND B&S PART NUMBER 492342.
37	580.47462	THROTTLE CABLE, B&S	ALAMBRE Y VAINA B&S	
38	580.47568	SWITCH WIRING HARNESS	CABLES INTERRUPTOR	
39	580.47629	CLUTCH CABLE	CABLE VAINA	
40	580.47712	SPRING	MUELLE	
41	580.48000	GRIP	MANIVELA	
42	580.48009	STOP SWITCH	INTERRUPTOR STOP	
43	580.50345	LEVER SPRING	PALANCA	
44	580.51601	THROTTLE DECAL	ADESIVO PARA MOTOR	
45	580.51670	HOOK	ENGANCHE	
46	581.50313	BARREL	PASADOR	
47	590.47709	SWITCH PLATE	SOPORTE INTERRUPTOR STOP	
48	590.57105	HANDLE BAR	MANUBRIO	

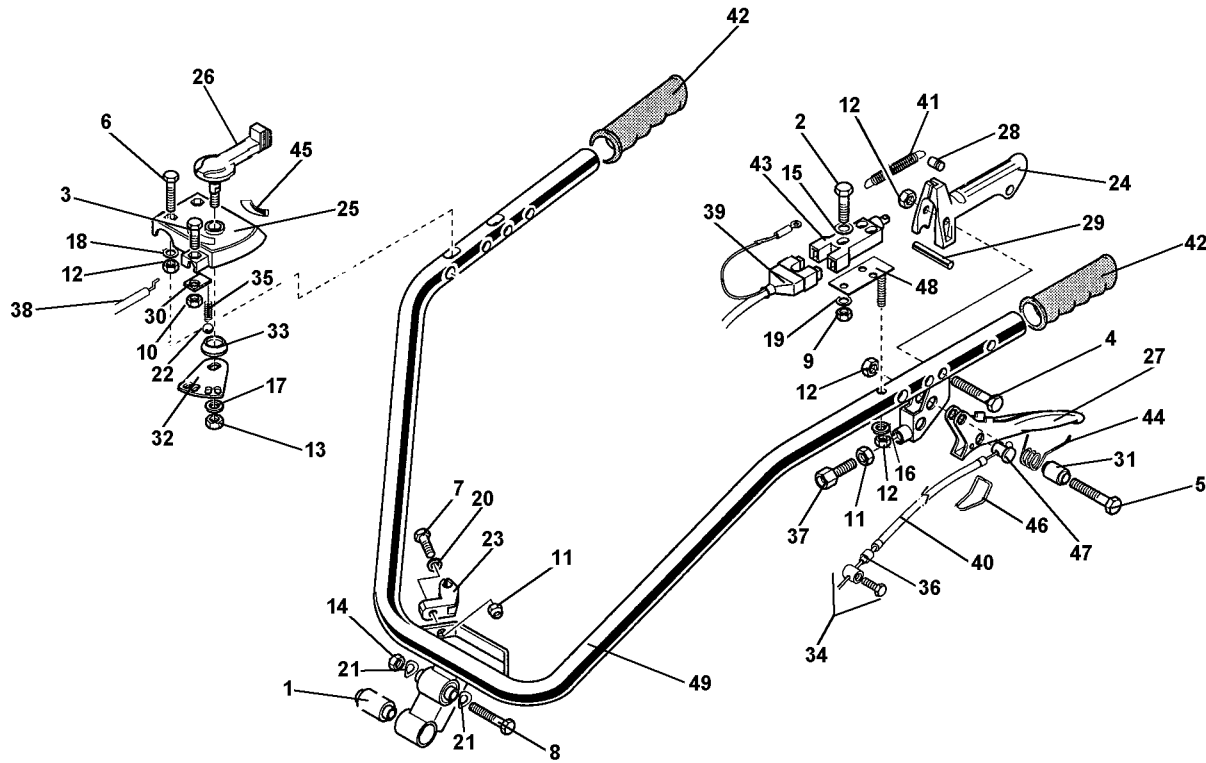
710

Handlebar

Serial Number Range
104909 - 116638

07.01

Revised 02/13/02



ID	PART NO	DESCRIPTION	DENOMINACION	NOTES
1	300.10103	SILENTBLOCK	SILENTBLOC	
2	311.11086	SCREW TE M4X25	TORNILLO TE M4X25	
3	311.11089	SCREW, M5X10	TORNILLO, M5X10	
4	311.11097	SCREW, TE M6X45	TORNILLO, TE M6X45	
5	311.12089	SCREW, M6X25	TORNILLO, M6X25	
6	311.12091	SCREW, M6X40	TORNILLO, M6X40	
7	311.12153	SCREW, M8X35	TORNILLO M8X35	
8	311.13210	SCREW, M10X80	TORNILLO, M10X80	
9	312.11040	NUT, M4	TUERCA M4	
10	312.11050	NUT, M5	TUERCA, M5	
11	312.11080	NUT, M8	TUERCA, M8	
12	312.41060	NUT, SELF LOCKING M6	TERCA AUTOBLOC. M6	
13	312.41083	NUT, M8	TUERCA, M8	
14	312.41100	NUT, M10	TUERCA, M10	
15	314.11043	FLAT WASHER, M4.3	AUANDELA PLANA, M4.3	
16	314.11064	WASHER, FLAT 6.4	ARANDELA, PLANA 6.4	
17	314.11130	WASHER, M8.4	AUANDELA, M8.4	
18	314.22064	LOCK WASHER, M6.4	ARANDELA DE RES. M6.4	
19	314.23043	LOCK WASHER, M4.3	ARANDELA DE RES. M4.3	
20	314.23084	WASHER, M8.4	ARANDELA M8.4	
21	314.23105	WAVE WASHER, M10.4	ARANDELA DE RES. M10.4	
22	379.10832	BALL, 1/4"	BOLA, 1/4"	
23	552.43340	SUPPORT, CONTROL ROD	SOPORTE BARRA	23- CAN BE REPLACED BY 552.43338 FOR USE ON UNITS WITH REAR ATTACHMENTS ONLY.
24	552.48041	MOTOR STOP LEVER	PALANCA MOTOR STOP	
25	552.50305	THROTTLE	MANDO GAS	25 - THIS THROTTLE CONTROL CAN BE REPLACED BY A BCS STANDARD THROTTLE CONTROL SYSTEM BY USING PART NUMBERS 580.02538, 311.12154, 314.23084, 580.42067 AND B&S PART NUMBER 492342.
26	552.50310	THROTTLE LEVER	PALANCA MANDO GAS	
27	561.47655	CLUTCH LEVER	PALANCA	
28	561.47711	SPRING PIN	ESPINA	
29	561.48037	LEVER STOP FOR MOTOR STOP	FIJACION PALANCA MOTOR STOP	
30	561.50358	PLATE	PLETINA	
31	561.50361	LEVER SPACER	SEPARADOR PALANCAS	
32	563.50306	THROTTLE LEVER	PALANCA MANDO GAS	
33	571.50312	SPRING	RONDELLA	
34	580.02429	CLAMP, CABLE	PASADOR	
35	580.42059	SPRING	RONDELLA	

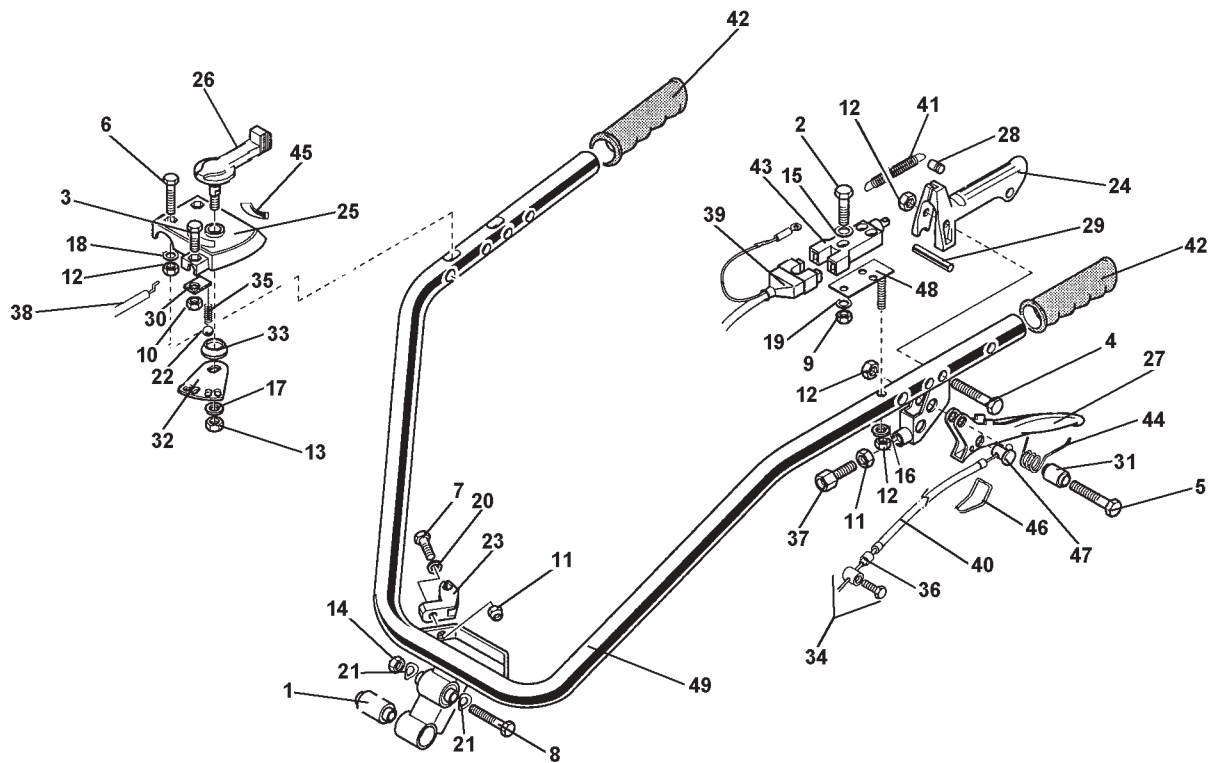
710

Handlebar

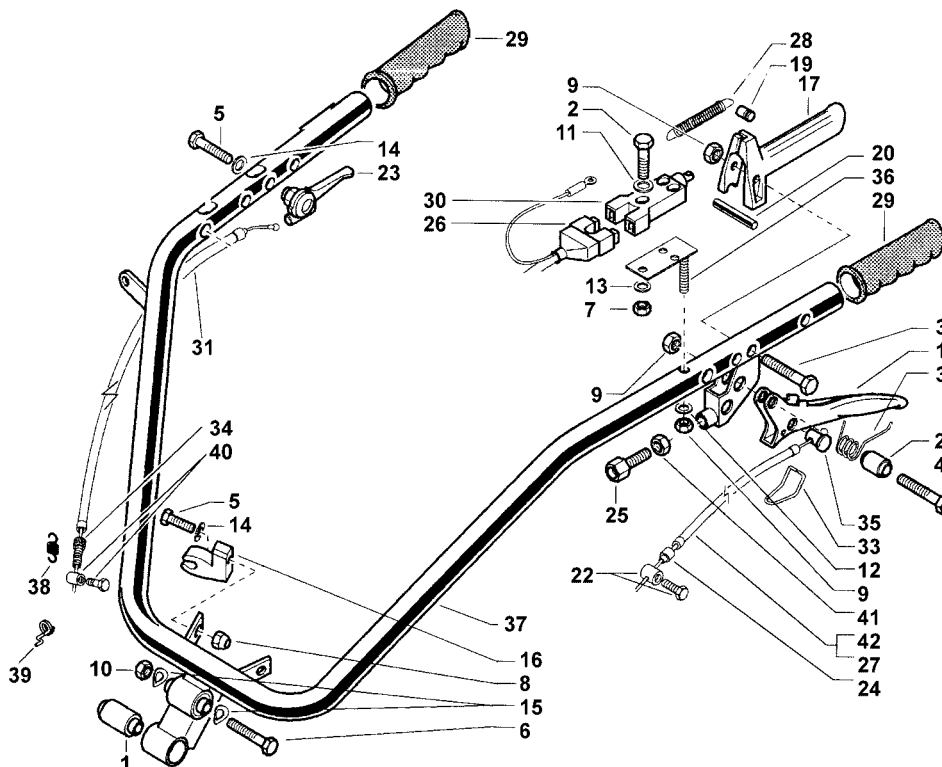
Serial Number Range
104909 - 116638

07.01

Revised 02/13/02

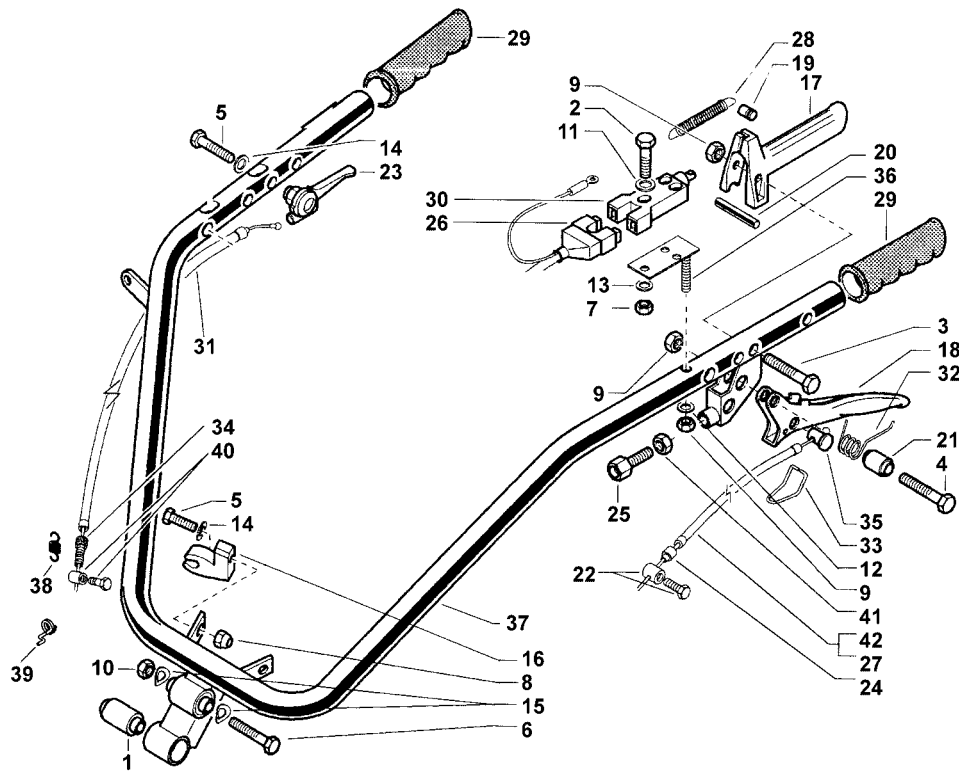


ID	PART NO	DESCRIPTION	DENOMINACION	NOTES
36	580.42167	CABLE END	BULLON CABLE EMBRAGUE	
37	580.42202	SCREW, ADJUSTING, M8	TORNILLO REG. M8	
38	580.47462	THROTTLE CABLE, B&S	ALAMBRE Y VAINA B&S	
39	580.47568	SWITCH WIRING HARNESS	CABLES INTERRUPTOR	
40	580.47629	CLUTCH CABLE	CABLE VAINA	
41	580.47712	SPRING	MUELLE	
42	580.48000	GRIP	MANIVELA	
43	580.48009	STOP SWITCH	INTERRUPTOR STOP	
44	580.50345	LEVER SPRING	PALANCA	
45	580.51601	THROTTLE DECAL	ADESIVO PARA MOTOR	
46	580.51670	HOOK	ENGANCHE	
47	581.50313	BARREL	PASADOR	
48	590.47709	SWITCH PLATE	SOPORTE INTERRUPTOR STOP	
49	590.57112	HANDLE BAR	MANUBRIO	

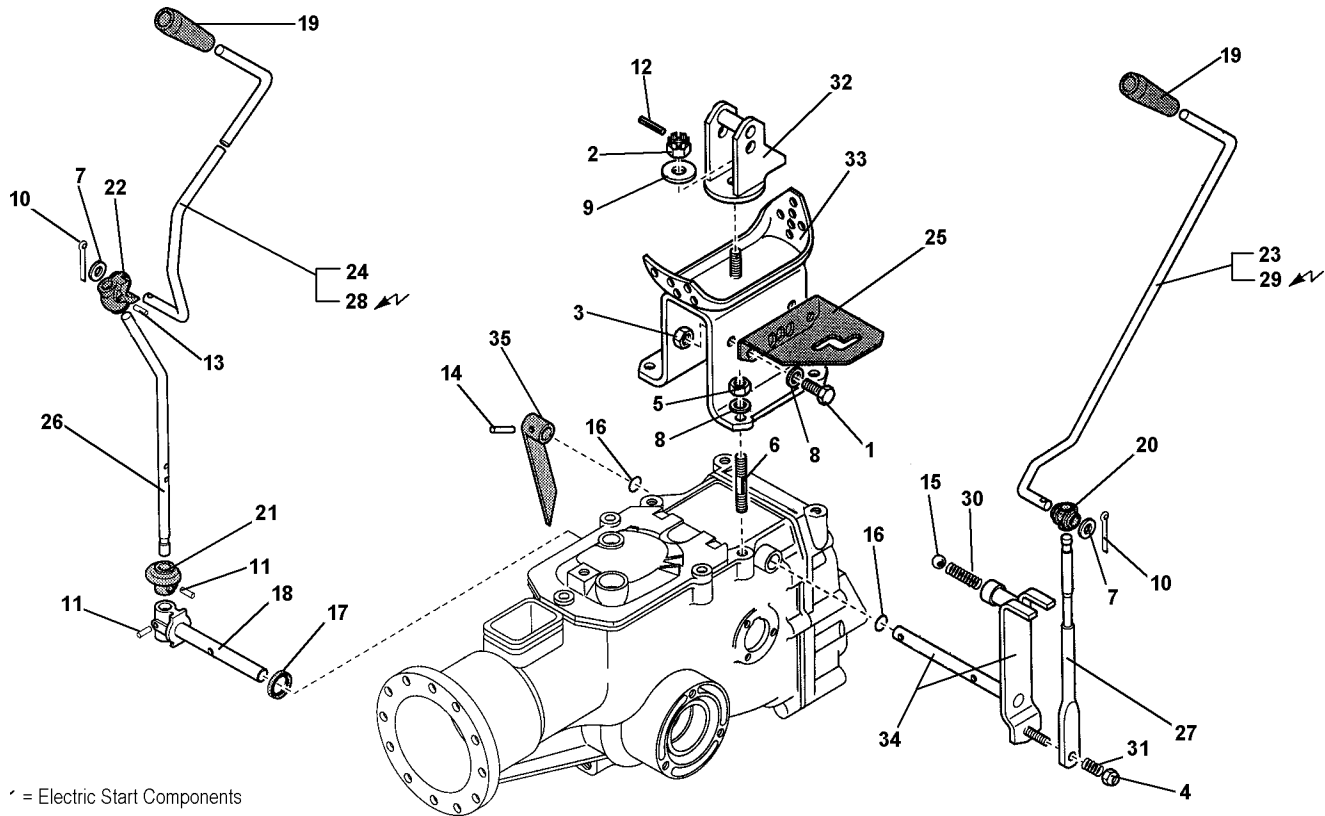


ID	PART NO	DESCRIPTION	DENOMINACION	NOTES
1	300.10103	SILENTBLOCK	SILENTBLOC	
2	311.11086	SCREW TE M4X25	TORNILLO TE M4X25	
3	311.11097	SCREW, TE M6X45	TORNILLO, TE M6X45	
4	311.12089	SCREW, M6X25	TORNILLO, M6X25	
5	311.12153	SCREW, M8X35	TORNILLO M8X35	
6	311.12217	SCREW, M10X80	TORNILLO, M10X80	
7	312.11040	NUT, M4	TUERCA M4	
8	312.41080	NUT, M8	TUERCA, M8	
9	312.41060	NUT, SELF LOCKING M6	TERCA AUTOBLOC. M6	
10	312.41100	NUT, M10	TUERCA, M10	
11	314.11043	FLAT WASHER, M4.3	AUANDELA PLANA, M4.3	
12	314.11064	WASHER, FLAT 6.4	ARANDELA, PLANA 6.4	
13	314.23043	LOCK WASHER, M4.3	ARANDELA DE RES. M4.3	
14	314.23084	WASHER, M8.4	ARANDELA M8.4	
15	314.23105	WAVE WASHER, M10.4	ARANDELA DE RES. M10.4	
16	552.43340	SUPPORT, CONTROL ROD	SOPORTE BARRA	16- CAN BE REPLACED BY 552.43338 FOR USE ON UNITS WITH REAR ATTACHMENTS ONLY.
17	552.48041	MOTOR STOP LEVER	PALANCA MOTOR STOP	
18	561.47655	CLUTCH LEVER	PALANCA	
19	561.47711	SPRING PIN	ESPINA	
20	561.48037	LEVER STOP FOR MOTOR STOP	FIJACION PALANCA MOTOR STOP	
21	561.50361	LEVER SPACER	SEPARADOR PALANCAS	
22	580.02429	CLAMP, CABLE	PASADOR	
23	580.02538	THROTTLE LEVER	PALANCA MANDO GAS	
24	580.42167	CABLE END	BULLON CABLE EMBRAGUE	
25	580.42202	SCREW, ADJUSTING, M8	TORNILLO REG. M8	
26	580.47568	SWITCH WIRING HARNESS	CABLES INTERRUPTOR	
27	580.47629	CLUTCH CABLE, RECOIL START	CABLE VAINA	
28	580.47712	SPRING	MUELLE	
29	580.48000	GRIP	MANIVELA	
30	580.48009	STOP SWITCH	INTERRUPTOR STOP	
31	580.43219	THROTTLE CABLE	ALAMBRE Y VAINA	
32	580.56593	LEVER SPRING	PALANCA	
33	580.51670	HOOK	ENGANCHE	
34	581.47704	CABLE ADJUSTER	TORNILLO REG M8	
35	581.50313	BARREL	PASADOR	

Revised 02/13/02

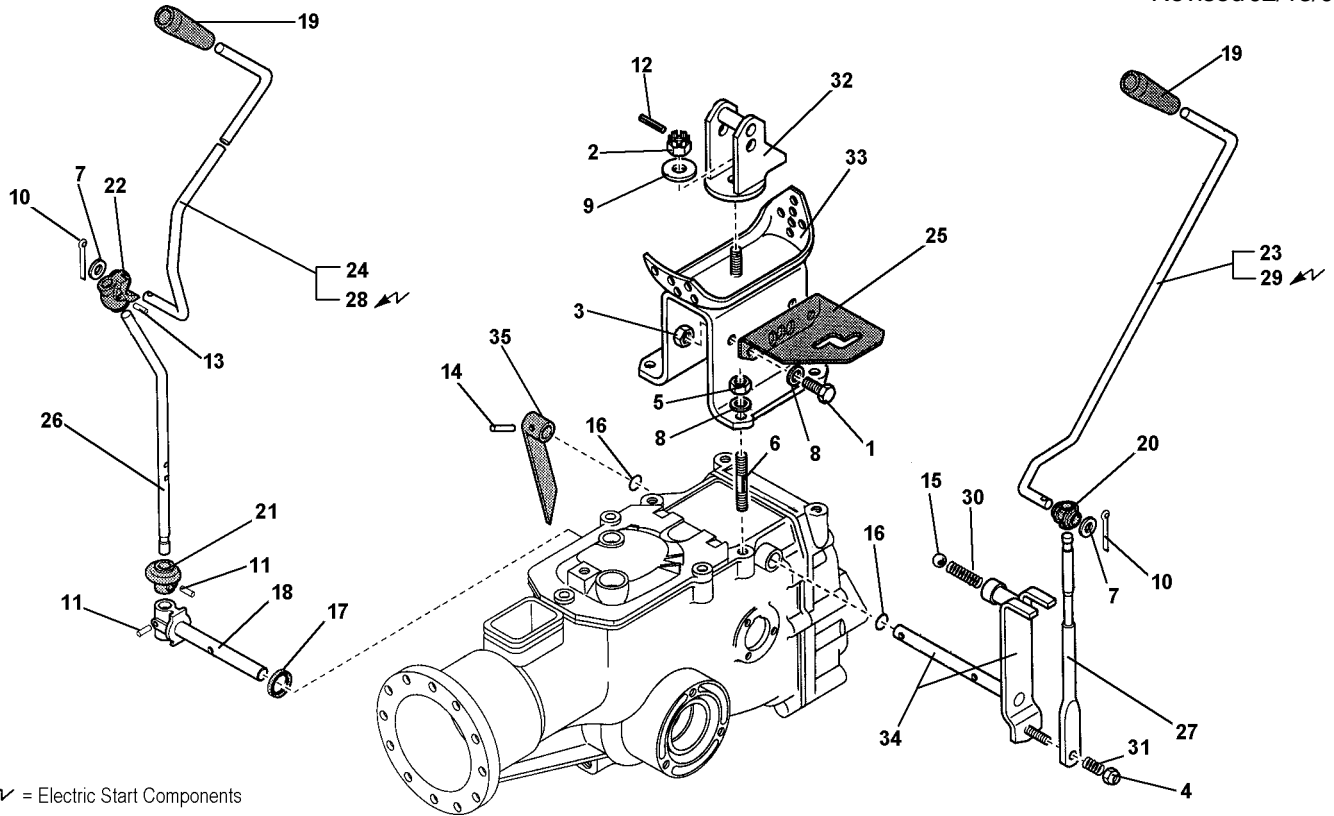


ID	PART NO	DESCRIPTION	DENOMINACION	NOTES
36	590.47709	SWITCH PLATE	SOPORTE INTERRUPTOR STOP	
37	590.57112	HANDLE BAR	MANUBRIO	
38	580.56164	SPRING	MUELLE	
39	580.56158	SPRING CLAMP	MUELLE	
40	580.48002	CABLE CLAMP		
41	312.11080	NUT M8 DIN 934		
42	580.53035	CLUTCH CABLE ELECTRIC START		



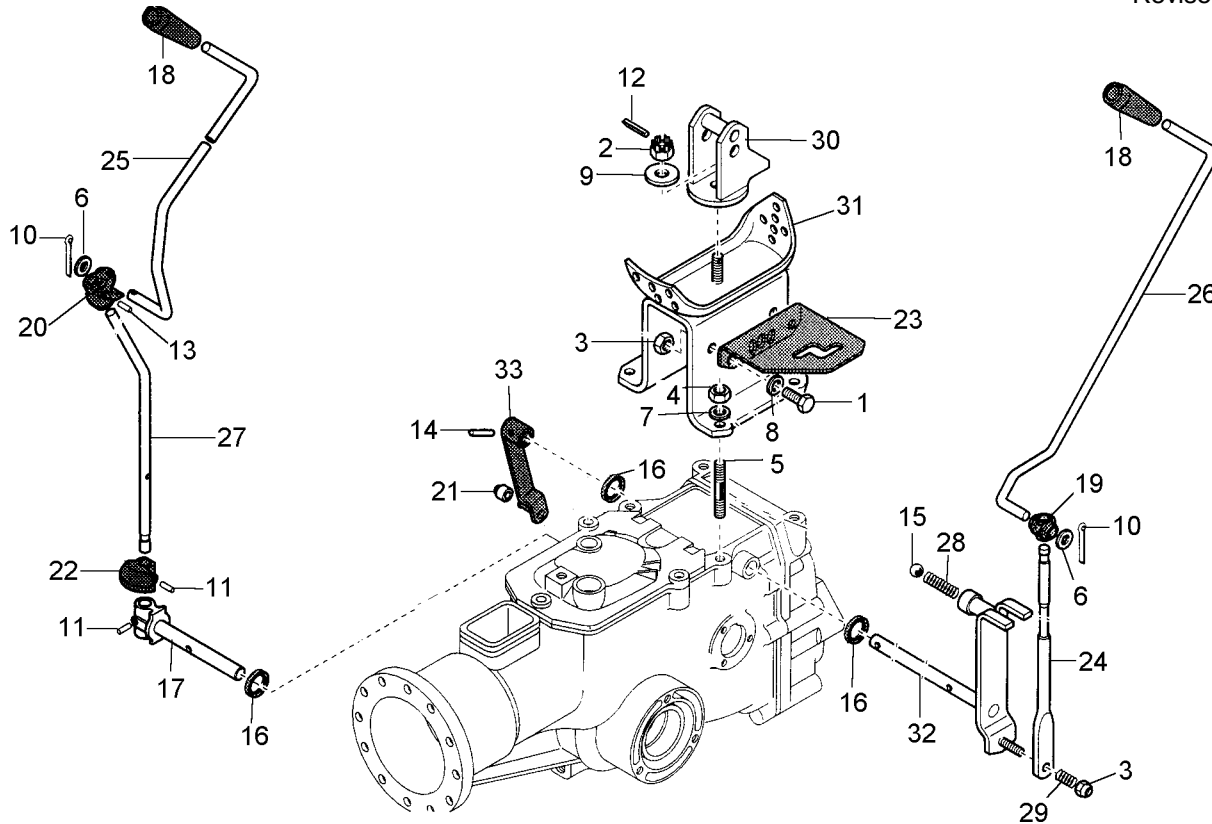
7, 10, 11, 18, 21 = Electric Start Components

ID	PART NO	DESCRIPTION	DENOMINACION	NOTES
1	311.12150	SCREW, M8X20	TORNILLO, M8X20	
2	312.01212	NUT, CASTLE, M12	TUERCA HEX. INT. M12	
3	312.11080	NUT, M8	TUERCA, M8	
4	312.41080	NUT, SELF LOCKING, M8	TUERCA AUTOBLOC. M8	
5	312.41085	NUT, M8	TUERCA, M8	
6	313.12082	STUD, M8X38X14X20	PRISIONERO M8X38X14X20	
7	314.11104	WASHER, M10.5	ARANDELA, M10.5	
8	314.21083	SUPER WASHER	SUPER ARANDELA	
9	314.23130	LOCK WASHER, M13	ARANDELA DE RES. M13	
10	341.10028	COTTER PIN	PASADOR	
11	342.13020	PIN, LOCKING, M4X20	ESP. DE RES. M4X20	
12	342.13022	PIN, LOCKING, M3X22	ESP. DE RES. M3X22	
13	342.13024	PIN, LOCKING, M4X24	ESP. DE RES. M4X24	
14	342.13061	LOCKING PIN, 6X20 SPIRAL	ESP. DE RES. 6X20 ESPIRAL	
15	379.11532	BALL, 15/32"	BOLA, 15/32"	
16	382.02502	OIL SEAL, 14X18X2.5	CHAPA RET. ACEITE 14X18X2.5	
17	382.11400	OIL SEAL, 14X22X4	CHAPA RET. ACEITE 14X22X4	
18	523.57250	PTO SHAFT	PENO MANDO TDF	
19	551.42076	KNOB	POMO	
20	552.42528	ARTICULATOR	MANGUETA	
21	552.48378	PTO STOP RING	ANILLO CONTRASTE T.D.F.	
22	552.48379	PTO ARTICULATION	MANGUETA T.D.F.	
23	561.43360	SPEED CONTROL ROD, 710, RECOIL	TIRANTE MANDOS MC., 710, RECOIL	
24	561.49655	PTO CONTROL ROD, RECOIL START	TIRANTE MANDOS MC. RECOIL START	
25	561.57234	GEAR SELECTOR, 710	SELECTOR MARCHAS, 710	
26	561.57260	PTO CONTROL LEVER	PALANCA MANDO TDF	
27	561.57271	SPEED CONTROL LEVER	PALANCA CAMBIO	
28	561.57282	PTO CONTROL ROD, ELECTRIC	TIRANTE MANDOS MC. TDF, ELECTRIC	
29	561.57283	SPEED CONTROL ROD, 710, ELEC.	TIRANTE MANDOS MC., 710, ELECTRIC	
30	580.20258	SPRING	MUELLE	
31	580.57232	SPRING	MUELLE	
32	590.56900	HANDLE BAR SUPPORT	SOPORTE MANILLAR	
33	590.56905	HANDLE BAR ANCHOR	ATAQUE MANILLAR	
34	590.57228	SPEED CONTROL LEVER, 710	PALANCA MANDO, 710	
35	590.57338	PTO LOCKOUT LEVER, 710	CERRAR LA PUERTA, 710	



⚡ = Electric Start Components

ID	PART NO	DESCRIPTION	DENOMINACION	NOTES
1	311.12150	SCREW, M8X20	TORNILLO, M8X20	
2	312.01212	NUT, CASTLE, M12	TUERCA HEX. INT. M12	
3	312.11080	NUT, M8	TUERCA, M8	
4	312.41080	NUT, SELF LOCKING, M8	TUERCA AUTOBLOC. M8	
5	312.41085	NUT, M8	TUERCA, M8	
6	313.12082	STUD, M8X38X14X20	PRISIONERO M8X38X14X20	
7	314.11104	WASHER, M10.5	ARANDELA, M10.5	
8	314.21083	SUPER WASHER	SUPER ARANDELA	
9	314.23130	LOCK WASHER, M13	ARANDELA DE RES. M13	
10	341.10028	COTTER PIN	PASADOR	
11	342.13020	PIN, LOCKING, M4X20	ESP. DE RES. M4X20	
12	342.13022	PIN, LOCKING, M3X22	ESP. DE RES. M3X22	
13	342.13024	PIN, LOCKING, M4X24	ESP. DE RES. M4X24	
14	342.13061	LOCKING PIN, 6X20 SPIRAL	ESP. DE RES. 6X20 ESPIRAL	
15	379.11532	BALL, 15/32"	BOLA, 15/32"	
16	382.11400	OIL SEAL, 14X22X4	CHAPA RET. ACEITE 14X22X4	
17	523.57250	PTO SHAFT	PENO MANDO TDF	
18	551.42076	KNOB	POMO	
19	552.42528	ARTICULATOR (PLASTIC)	MANGUETA	
19	561.42548	ARTICULATOR GX8 (ALUMINUM)		
20	552.48378	PTO STOP RING	ANILLO CONTRASTE T.D.F.	
21	552.48379	PTO ARTICULATION	MANGUETA T.D.F.	
22	561.57234	GEAR SELECTOR	SELECTOR MARCHAS	
23	561.57260	PTO CONTROL LEVER	PALANCA MANDO TDF	
24	561.57271	SPEED CONTROL LEVER	PALANCA CAMBIO	
25	561.57282	PTO CONTROL ROD	TIRANTE MANDOS MC. TDF	
26	561.57283	SPEED CONTROL ROD	TIRANTE MANDOS MC.	
27	580.43176	SPRING	MUELLE	
28	580.57232	SPRING	MUELLE	
29	590.56900	HANDLE BAR SUPPORT	SOPORTE MANILLAR	
30	590.56905	HANDLE BAR ANCHOR	ATAQUE MANILLAR	
31	590.57228	SPEED CONTROL LEVER	PALANCA MANDO	
32	590.57338	PTO LOCKOUT LEVER	CERRAR LA PUERTA	



ID	PART NO	DESCRIPTION	DENOMINACION	NOTES
1	311.12150	SCREW, M8X20	TORNILLO, M8X20	
2	312.01212	NUT, CASTLE, M12	TUERCA HEX. INT. M12	
3	312.41080	NUT, SELF LOCKING, M8	TUERCA AUTOBLOC. M8	
4	312.41085	NUT, M8	TUERCA, M8	
5	313.12082	STUD, M8X38X14X20	PRISIONERO M8X38X14X20	
6	314.11104	WASHER, M10.5	ARANDELA, M10.5	
7	314.21083	SUPER WASHER	SUPER ARANDELA	
8	314.23084	WASHER, WAVE	ARANDELA	
9	314.23130	LOCK WASHER, M13	ARANDELA DE RES. M13	
10	341.10028	COTTER PIN	PASADOR	
11	342.13020	PIN, LOCKING, M4X20	ESP. DE RES. M4X20	
12	342.13022	PIN, LOCKING, M3X22	ESP. DE RES. M3X22	
13	342.13024	PIN, LOCKING, M4X24	ESP. DE RES. M4X24	
14	342.13061	LOCKING PIN, 6X20 SPIRAL	ESP. DE RES. 6X20 ESPIRAL	
15	379.11532	BALL, 15/32"	BOLA, 15/32"	
16	382.11400	OIL SEAL, 14X22X4	CHAPA RET. ACEITE 14X22X4	
17	523.57250	PTO SHAFT	PENO MANDO TDF	
18	551.42076	KNOB	POMO	
19	552.42528	ARTICULATOR	MANGUETA	
20	552.48379	PTO ARTICULATION	MANGUETA T.D.F.	
21	552.57313	PTO LOCKOUT RING	ANILLO CERRAR LA PUERTA	
22	552.57321	PTO STOP RING	ANILLO CONTRASTE T.D.F.	
23	561.57234	GEAR SELECTOR	SELECTOR MARCHAS	
24	561.57271	SPEED CONTROL LEVER	PALANCA CAMBIO	
25	561.57282	PTO CONTROL ROD	TIRANTE MANDOS MC. TDF	
26	561.57283	SPEED CONTROL ROD	TIRANTE MANDOS MC.	
27	561.57323	PTO CONTROL LEVER	PLANACA MANDO T.D.F.	
28	580.43176	SPRING	MUELLE	
29	580.57232	SPRING	MUELLE	
30	590.56900	HANDLE BAR SUPPORT	SOPORTE MANILLAR	
31	590.56905	HANDLE BAR ANCHOR	ATAQUE MANILLAR	
32	590.57228	SPEED CONTROL LEVER	PALANCA MANDO	
33	590.57325	PTO LOCKOUT LEVER	CERRAR LA PUERTA	

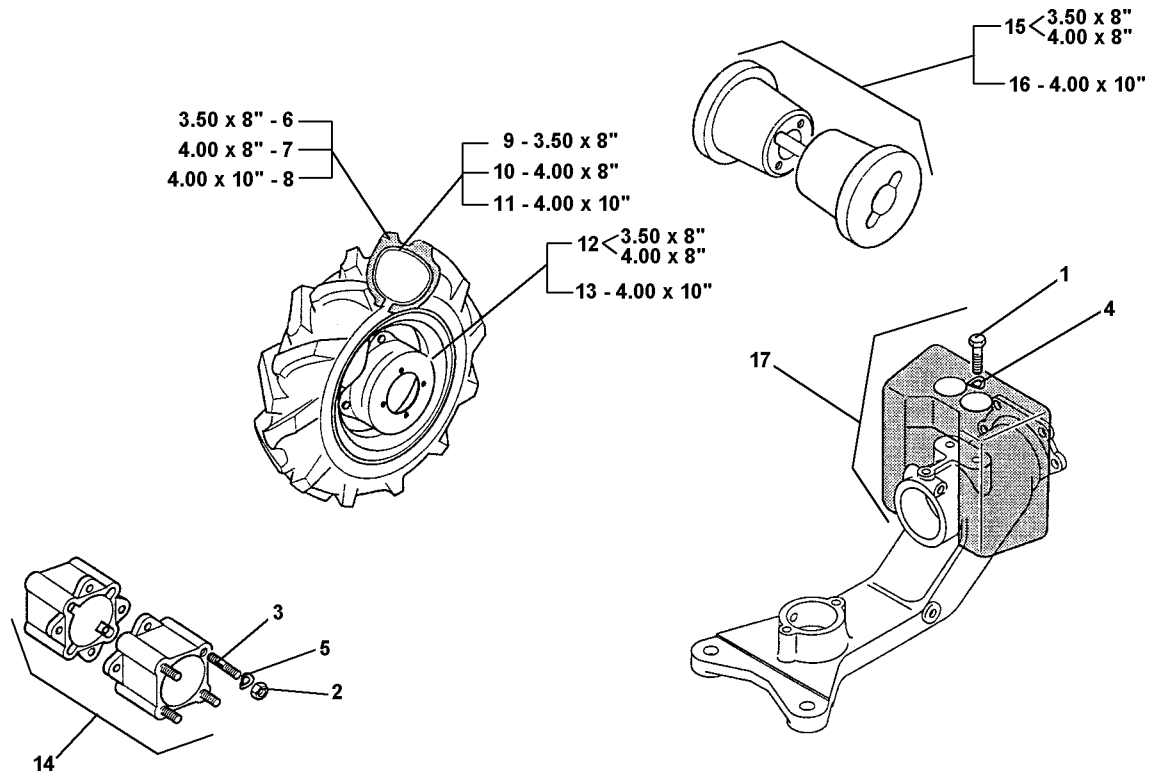
710

Wheels

Serial Number Range 100000 - -----

09.00

Revised 02/13/02



ID	PART NO	DESCRIPTION	DENOMINACION	NOTES
1	311.12151	SCREW, M8X25	TORNILLO M8X25	
2	312.11100	NUT, M10	TUERCA M10	
3	313.12102	STUD, M10X40X22X14	PRISIONERO, M10X40X22X14	
4	314.23084	WASHER, M8.4	ARANDELA M8.4	
5	314.23105	WASHER, LOCK, 10.5	ARANDELA DE RES. M10.5	
6	391.13502	TIRE 3.50X8" TRACTOR	CUBIERTA DE NEUMATICO 3.5X8	
7	391.14008	TIRE 4.00X8" TRACTOR	CUBIERTA DE NEUMATICO	
8	391.14010	TIRE 4.00X10" TRACTOR	CUBIERTA TM 4.00X10	
9	NLA	TUBE 3.50X8" (USE 394.14008)	CAMARA DE AIRE 3.50X8	
10	394.14008	TUBE 4.00X8"	CAMARA 4.00X8	
11	394.14010	TUBE 4.00X10"	CAMARA 4.00X10	
12	580.43250	WHEEL DISC, 3.50X8" & 4.00X8"	RUEDA EN DISCO, 3.50X8 & 4.00X8	
13	580.48330	RIM, 4.00X10"	LLANTA 10"	
14	922.43685	WHEEL SPACERS, FIXED	SEPARADOR RUEDA	
15	922.43686	WHEEL WEIGHTS 48#	PESAS, 48#	
16	922.48715	WHEEL WEIGHTS 66#	PESAS, 66#	
17	922.48923	CUTTER BAR WEIGHT, 26#	PESA POR BARRA DE CORTE	