



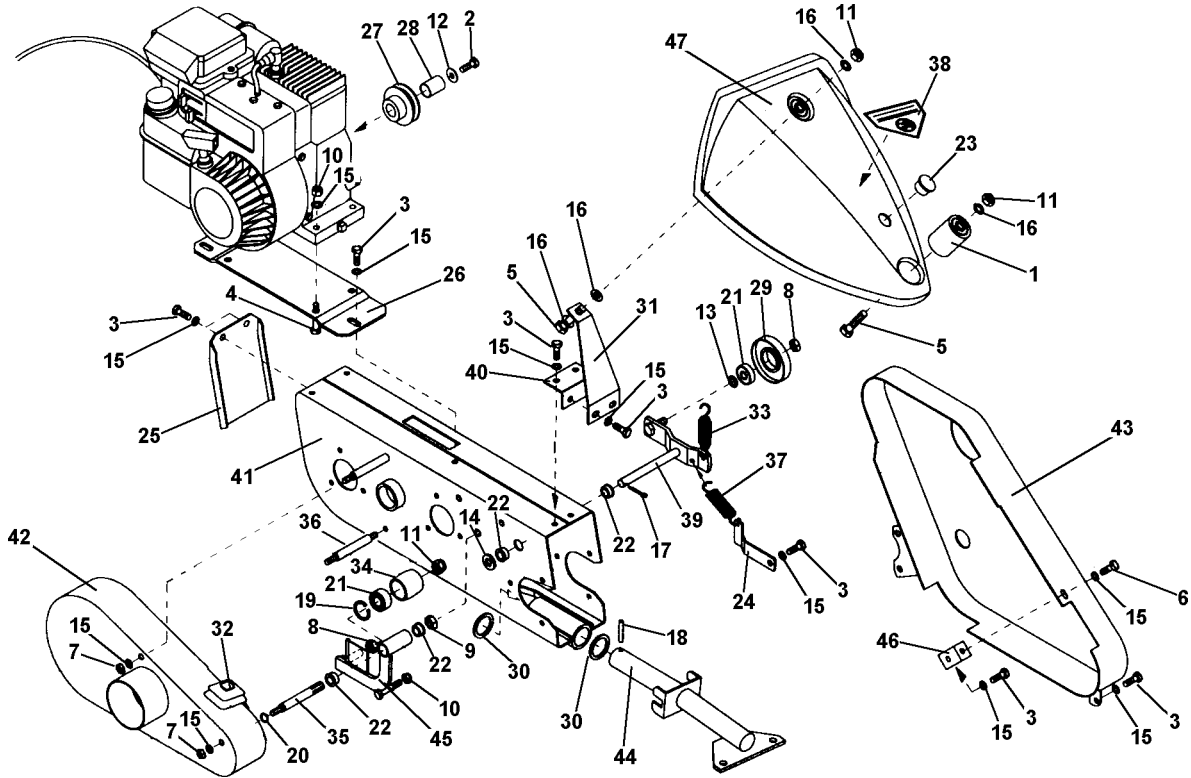
A M E R I C A

705

Frame

Serial Number Range 1000 - -----

01.00



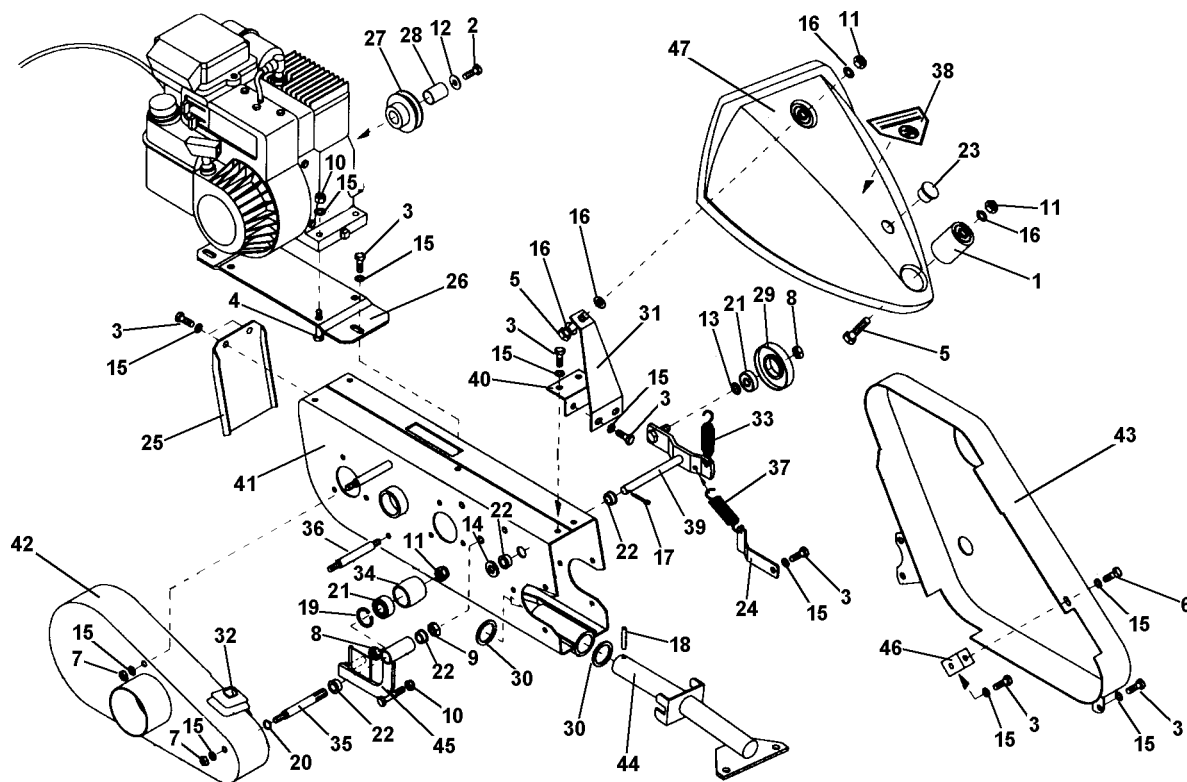
| ID | PARTNO | DESCRIPTION | DENOMINACION | NOTES |
|----|-----------|-----------------------|-------------------------|-------|
| 1 | 300.10102 | SILENT BLOCK | SILENTBLOC | |
| 2 | 311.00003 | SCREW 5/16 X 7/8" | TORNILLO 5/16 X 7/8" | |
| 3 | 311.12150 | SCREW M8X20 | TORNILLO M8X20 | |
| 4 | 311.12154 | SCREW M8X40 | TORNILLO M8X40 | |
| 5 | 311.12214 | SCREW M10X45 | TORNILLO M10X45 | |
| 6 | 311.21007 | SCREW M10X35 | TORNILLO M10X35 | |
| 7 | 312.11080 | NUT M8 | TUERCA M8 | |
| 8 | 312.11100 | NUT M10 | TUERCA M10 | |
| 9 | 312.11120 | NUT M12 | TUERCA M12 | |
| 10 | 312.41080 | NUT, SELF LOCKING M8 | TUERCA AUTOBLOC M8 | |
| 11 | 312.41100 | NUT, SELF LOCKING M10 | TUERCA AUTOBLOC M10 | |
| 12 | 314.11090 | WASHER, FLAT | ARANDELA PLANA | |
| 13 | 314.11105 | WASHER, FLAT M10.5 | ARANDELA PLANA M10.5 | |
| 14 | 314.11130 | WASHER, FLAT M13 | ARANDELA PLANA M13 | |
| 15 | 314.21083 | WASHER, M8.3 | ARANDELA M8.3 | |
| 16 | 314.23105 | WASHER, LOCK M10.5 | ARANDELA DE. RES. M10.5 | |
| 17 | 341.10031 | COTTER PIN | PASADOR | |
| 18 | 342.11064 | LOCKING PIN M6X40 | ESP. DE. RES. M6X40 | |
| 19 | 351.11030 | CIRCLIP, INTERNAL | SEEGER | |
| 20 | 351.21012 | CIRCLIP, EXTERNAL | SEEGER | |
| 21 | 371.12099 | BEARING M10X30X9 | CONJINETE M10X30X9 | |
| 22 | 511.46808 | BUSHING | CASQUILLO | |
| 23 | 551.43593 | PLUG | TAPON | |
| 24 | 561.46783 | SPRING SUPPORT | MUELLE SOPORTE | |
| 25 | 561.46809 | BACK COVER | TAPA POSTERIOR | |
| 26 | 561.46810 | ENGINE BRACKET | SOPORTE ENGINE | |
| 27 | 561.46813 | ENGINE PULLEY | POLEA | |
| 28 | 561.46815 | SPACER | SEPARADOR | |
| 29 | 561.46844 | IDLER PULLEY | POLEA TENSOR | |
| 30 | 561.46849 | SHIM | ARANDELA | |
| 31 | 563.46825 | HOOD BRACKET | ATAQUE | |
| 32 | 580.46794 | BOOT | FUELLE | |
| 33 | 580.46798 | SPRING | MUELLE | |
| 34 | 580.46854 | SPACER | SOPORTE | |
| 35 | 580.46855 | IDLER SHAFT | ARBOL | |

705

Frame

Serial Number Range 1000 - -----

01.00



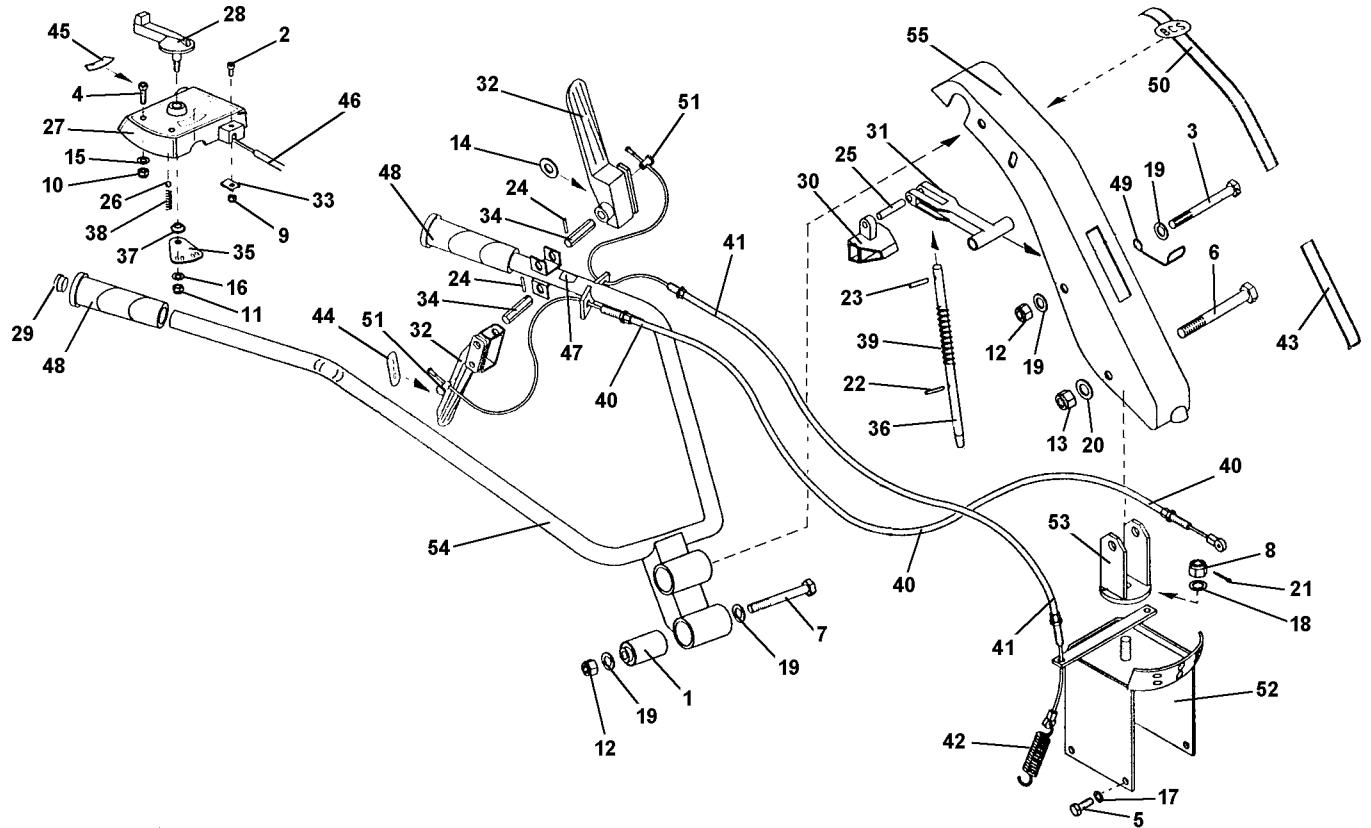
| ID | PARTNO | DESCRIPTION | DENOMINACION | NOTES |
|----|-----------|---------------------|-------------------------|-------|
| 36 | 580.46894 | SPACER SHAFT | ARBOL SEPARADOR | |
| 37 | 580.46897 | SPRING | MUELLE | |
| 38 | 580.46924 | DECAL | ADHESIVO | |
| 39 | 590.46784 | IDLER ARM | SENSOR | |
| 40 | 590.46790 | BRACE | SOPORTE | |
| 41 | 590.46800 | FRAME | CHASIS | |
| 42 | 590.46811 | BELT GUARD | CORREA PROTECCION | |
| 43 | 590.46812 | BELT GUARD | CORREA PROTECCION | |
| 44 | 590.46845 | CUTTERBAR SUPPORT | BARRA SOPORTE | |
| 45 | 590.46851 | IDLER ARM | SENSOR | |
| 46 | 590.46895 | BRACKET, BELT GUARD | BRAZO CORREA PROTECCION | |
| 47 | 590.50640 | HOOD | PROTECCION | |

705

Handlebar

Serial Number Range 1000 - -----

02.00



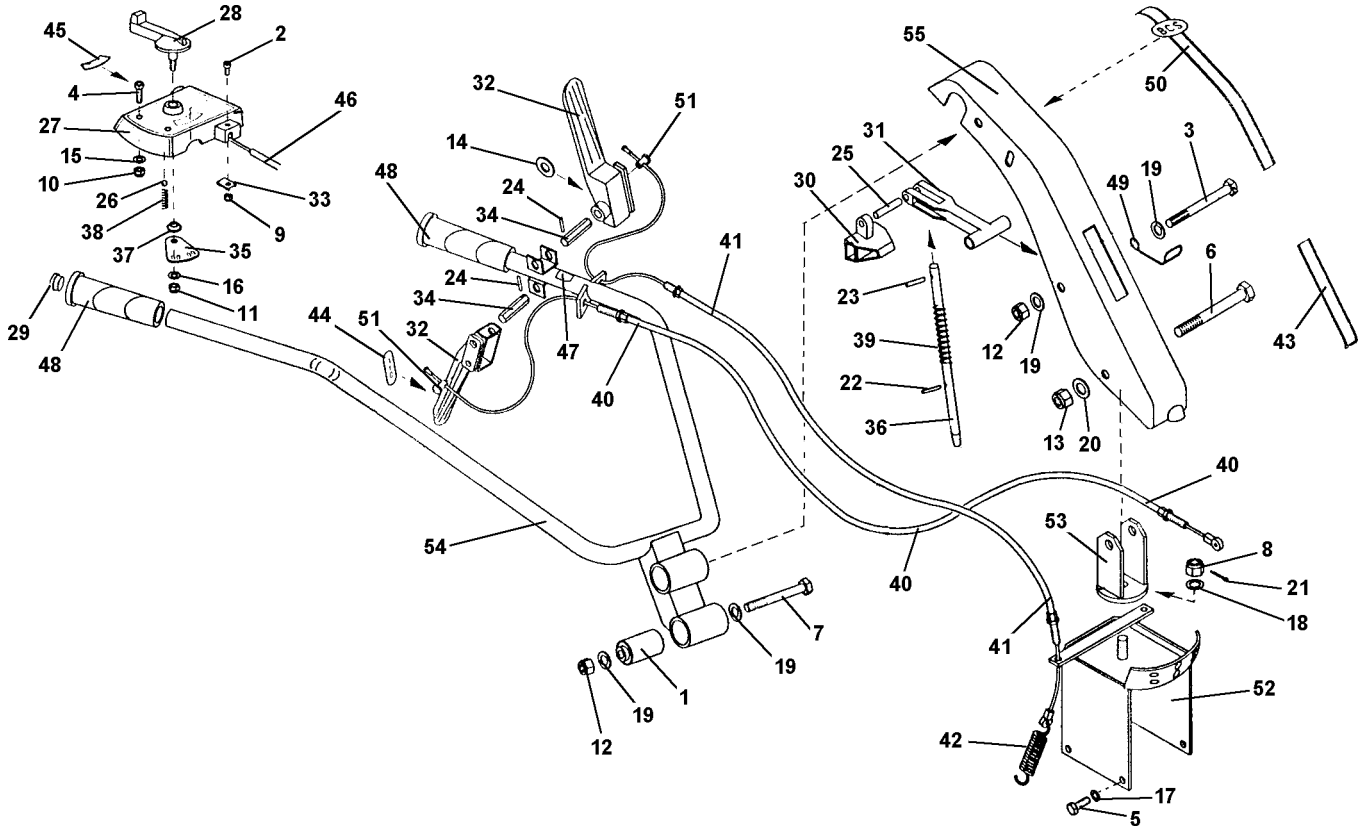
| ID | PARTNO | DESCRIPTION | DENOMINACION | NOTES |
|----|-----------|--------------------------|-------------------------|-------|
| 1 | 300.10103 | SILENT BLOCK | SILENTBLOC | |
| 2 | 311.11089 | SCREW M5X10 | TORNILLO M5X10 | |
| 3 | 311.11224 | SCREW M10X85 | TORNILLO M10X85 | |
| 4 | 311.12092 | SCREW M6X35 | TORNILLO M6X35 | |
| 5 | 311.12150 | SCREW M8X20 | TORNILLO M8X20 | |
| 6 | 311.12294 | SCREW M12X85 | TORNILLO M12X85 | |
| 7 | 311.13210 | SCREW M10X80 | TORNILLO M10X80 | |
| 8 | 312.01212 | NUT, SELF LOCKING M12 | TUERCA HEX. INT. M12 | |
| 9 | 312.11050 | NUT, M5 | TUERCA M5 | |
| 10 | 312.41060 | NUT, SELF LOCKING M6 | TUERCA AUTOBLOC. M6 | |
| 11 | 312.41083 | NUT, SELF LOCKING M8 | TUERCA AUTOBLOC. M8 | |
| 12 | 312.41100 | NUT, SELF LOCKING M10 | TUERCA AUTOBLOC. M10 | |
| 13 | 312.41120 | NUT, SELF LOCKING M12 | TUERCA AUTOBLOC. M12 | |
| 14 | 314.11130 | WASHER | ARANDELA | |
| 15 | 314.13064 | WASHER, FLAT M6.3 | ARANDELA PLANA M6.3 | |
| 16 | 314.14084 | WASHER, FLAT M8.4 | ARANDELA PLANA M8.4 | |
| 17 | 314.21083 | WASHER M8.4 | ARANDELA M8.4 | |
| 18 | 314.21130 | WASHER M13 | ARANDELA M13 | |
| 19 | 314.23105 | WASHER, LOCK M10.5 | ARANDELA DE. RES. M10.5 | |
| 20 | 314.23130 | WASHER, LOCK M13 | ARANDELA DE. RES. M13 | |
| 21 | 341.10031 | COTTER PIN | PASADOR | |
| 22 | 342.11028 | LOCKING PIN M3X18 | ESP. DE. RES. M3X18 | |
| 23 | 342.11041 | LOCKING PIN M4X35 | ESP. DE. RES. M4X35 | |
| 24 | 342.11042 | LOCKING PIN M4X25 | ESP. DE. RES. M4X25 | |
| 25 | 342.21070 | LOCKING PIN M8X50 | ESP. DE. RES. M8X50 | |
| 26 | 379.10832 | BALL | BOLA | |
| 27 | 552.50305 | THROTTLE CONTROL COVER | MANDO GAS | |
| 28 | 552.50310 | THROTTLE LEVER | PALANCA MANDO GAS | |
| 29 | 552.51634 | PLUG | TAPON | |
| 30 | 552.51686 | SUPPORT, ROD | SOPORTE PALANCA | |
| 31 | 552.51688 | ADJUSTING LEVER | PALANCA DE REGULACION | |
| 32 | 552.51699 | LEVER | PALANCA | |
| 33 | 561.50358 | PLATE | PLETINA | |
| 34 | 561.51718 | PIN, HEXAGONAL | PERNO EXAGONAL | |
| 35 | 563.50306 | QUADRANT, THROTTLE CONTR | PALANCA AMNDO GAS | |

705

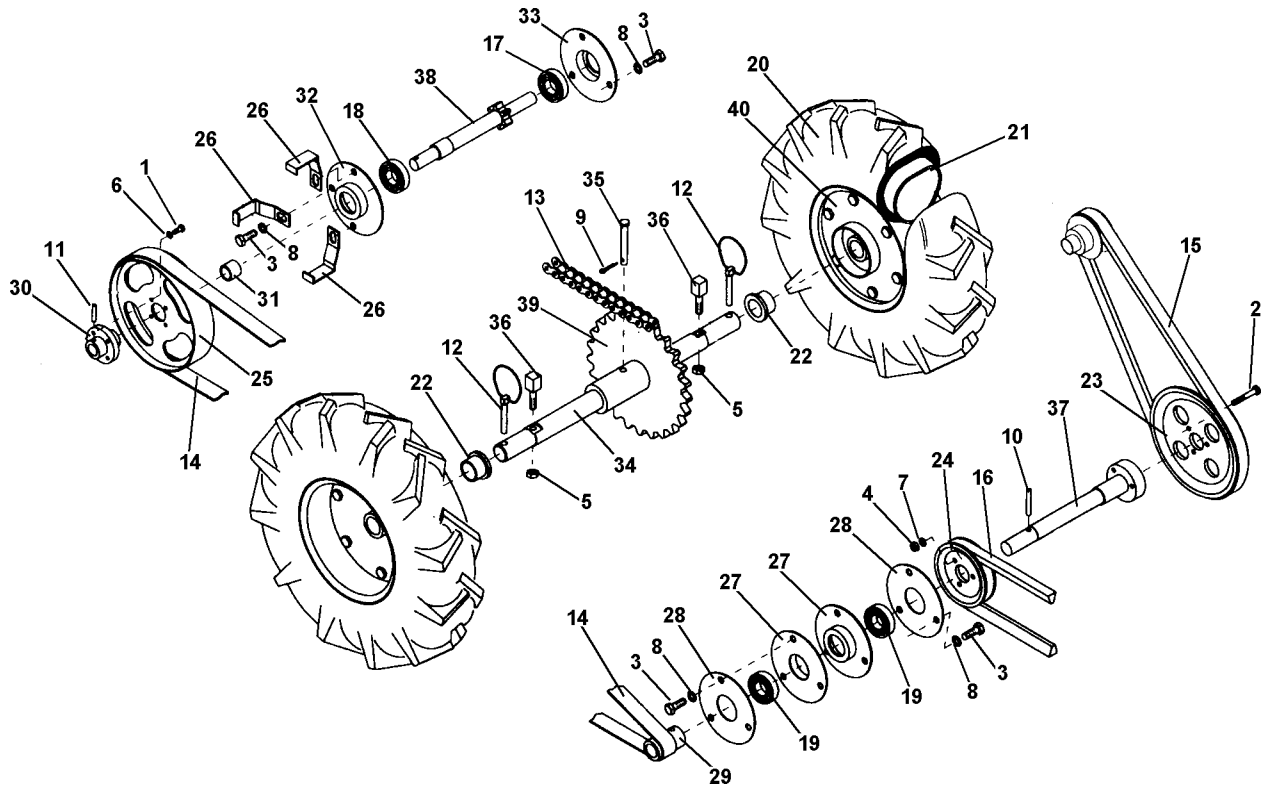
Handlebar

Serial Number Range
1000 - -----

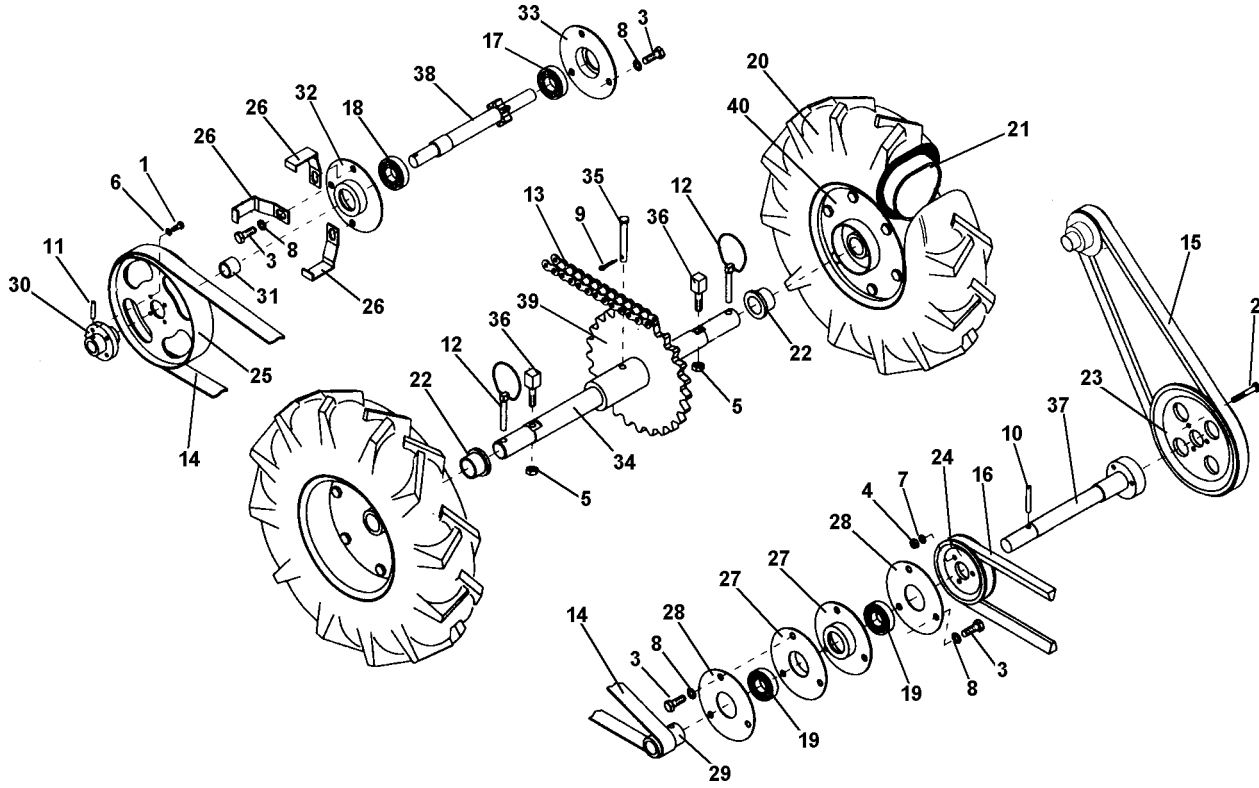
02.00



| ID | PARTNO | DESCRIPTION | DENOMINACION | NOTES |
|----|-----------|--------------------------|----------------------|-------|
| 36 | 563.51685 | HANDLEBAR POSTIONING ROD | VARILLA MANILLAR | |
| 37 | 571.50312 | SPRING WASHER | MUELLE | |
| 38 | 580.42059 | SPRING, THROTTLE CONTROL | MUELLE | |
| 39 | 580.42219 | SPRING, ROD | MUELLE | |
| 40 | 580.46795 | CABLE ASSEMBLY, PTO | FILO TOMA DE FUERZA | |
| 41 | 580.46796 | CABLE ASSEMBLY, DRIVE | FILO MARCHA ADELANTE | |
| 42 | 580.46814 | SPRING WHEEL DRIVE | MUELLE | |
| 43 | 580.46960 | DECAL | ADHESIVO | |
| 44 | 580.47954 | DECAL, PTO | ADHESIVO TDF | |
| 45 | 580.51601 | DECAL, THROTTLE | ADHESIVO MANDO | |
| 46 | 580.51602 | THROTTLE CABLE | FILO MANDO GAS | |
| 47 | 580.51651 | DECAL, WHEELS | ADHESIVO MARCHA | |
| 48 | 580.51665 | COVER, HANDLEBAR | MANILLA | |
| 49 | 580.57266 | CABLE GUIDE | FILO GUIDE | |
| 50 | 580.57702 | DECAL "CRUSADER" | ADHESIVO "CRUSADER" | |
| 51 | 581.50313 | BARREL | PASADOR | |
| 52 | 590.46881 | HANDLE COLUMN ANCHOR | ATAQUE MANILLAR | |
| 53 | 590.46886 | HANDLE COLUMN SUPPORT | SOPORTE MANILLAR | |
| 54 | 590.46889 | HANDLEBAR | MANILLAR | |
| 55 | 590.51682 | HANDLEBAR COLUMN | COLUMNA MANILLAR | |



| ID | PARTNO | DESCRIPTION | DENOMINACION | NOTES |
|----|-----------|----------------------|-----------------------|-------|
| 1 | 311.12050 | SCREW M5X16 | TORNILLO M5X16 | |
| 2 | 311.12091 | SCREW M6X40 | TORNILLO M6X40 | |
| 3 | 311.12150 | SCREW M8X20 | TORNILLO M8X20 | |
| 4 | 312.41060 | NUT, SELF LOCKING M6 | TUERCA AUTOBLOC. M6 | |
| 5 | 312.41080 | NUT, SELF LOCKING M8 | TUERCA AUTOBLOC. M8 | |
| 6 | 314.11053 | WASHER, FLAT M5.3 | ARANDELA PLANA M5.3 | |
| 7 | 314.13064 | WAHSER, FLAT M6.3 | ARANDELA PLANA M6.3 | |
| 8 | 314.21083 | WASHER M8.3 | ARANDELA M8.3 | |
| 9 | 341.10020 | COTTER PIN | PASADOR | |
| 10 | 342.11061 | LOCKING PIN M6X25 | ESP. DE. RES. M6X25 | |
| 11 | 342.11062 | LOCKING PIN M6X30 | ESP. DE. RES. M6X30 | |
| 12 | 342.40070 | QUICK PIN | PERNO | |
| 13 | 361.10058 | CHAIN | CADENA | |
| 14 | 362.00001 | BELT, WHEEL DRIVE | CORREA RUEDA | |
| 15 | 362.10006 | BELT, ENGINE | CORREA RUEDA | |
| 16 | 362.10007 | BELT, CUTTERBAR | | |
| 17 | 371.12150 | BEARING M15X35X11 | COJINETE M15X35X11 | |
| 18 | 371.12171 | BEARING M17X40X12 | COJINETE M17X40X12 | |
| 19 | 371.12203 | BEARING M20X42X12 | COJINETE M20X42X12 | |
| 20 | 391.13500 | TIRE 3.50X6 | CUBIERTA 3.50X6 | |
| 21 | 394.14007 | TUBE 3.50X6 | CAMARA DE AIRE 3.50X6 | |
| 22 | 511.46806 | BUSHING | CASQUILLO | |
| 23 | 532.46817 | PULLEY | POLEA | |
| 24 | 532.46824 | PULLEY | POLEA | |
| 25 | 532.46857 | PULLEY | POLEA | |
| 26 | 561.46669 | BELT GUIDE | DEDO POLEA | |
| 27 | 561.46821 | BEARING SUPPORT HALF | SOPORTE COJINETE | |
| 28 | 561.46822 | BEARING SUPPORT HALF | SOPORTE COJINETE | |
| 29 | 561.46823 | ROLLER PULLEY | POLEA | |
| 30 | 561.46858 | PULLEY HUB | CUBO POLEA | |
| 31 | 561.46860 | SPACER | SEPARADOR | |
| 32 | 561.46861 | BEARING SUPPORT | SOPORTE COJINETE | |
| 33 | 561.46862 | BEARING SUPPORT | SOPORTE COJINETE | |
| 34 | 561.46867 | WHEEL AXEL | PARTE REUDAS | |
| 35 | 561.46868 | SHAFT PIN | PERNO | |



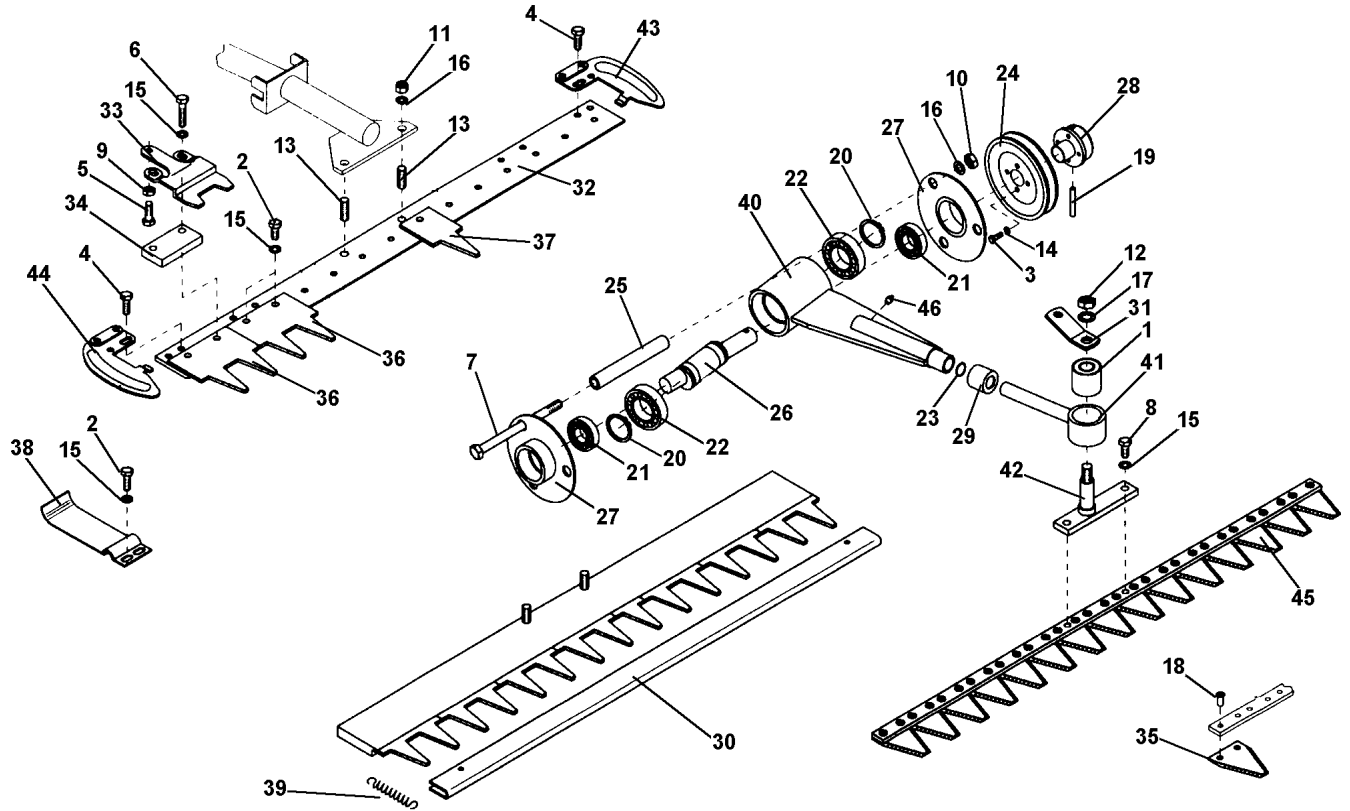
| ID | PARTNO | DESCRIPTION | DENOMINACION | NOTES |
|----|-----------|------------------------|--------------------|-------|
| 36 | 563.46850 | BOLT PIN | CLAVITA | |
| 37 | 590.46818 | PULLEY SHAFT | ARBOL POLEA | |
| 38 | 590.46859 | PULLEY AND CHAIN SHAFT | ARBOL POLEA CADENA | |
| 39 | 590.46864 | CHAIN SPROCKET | CADENA POLEA | |
| 40 | 592.46871 | WHEEL RIM | LLANTA | |

705

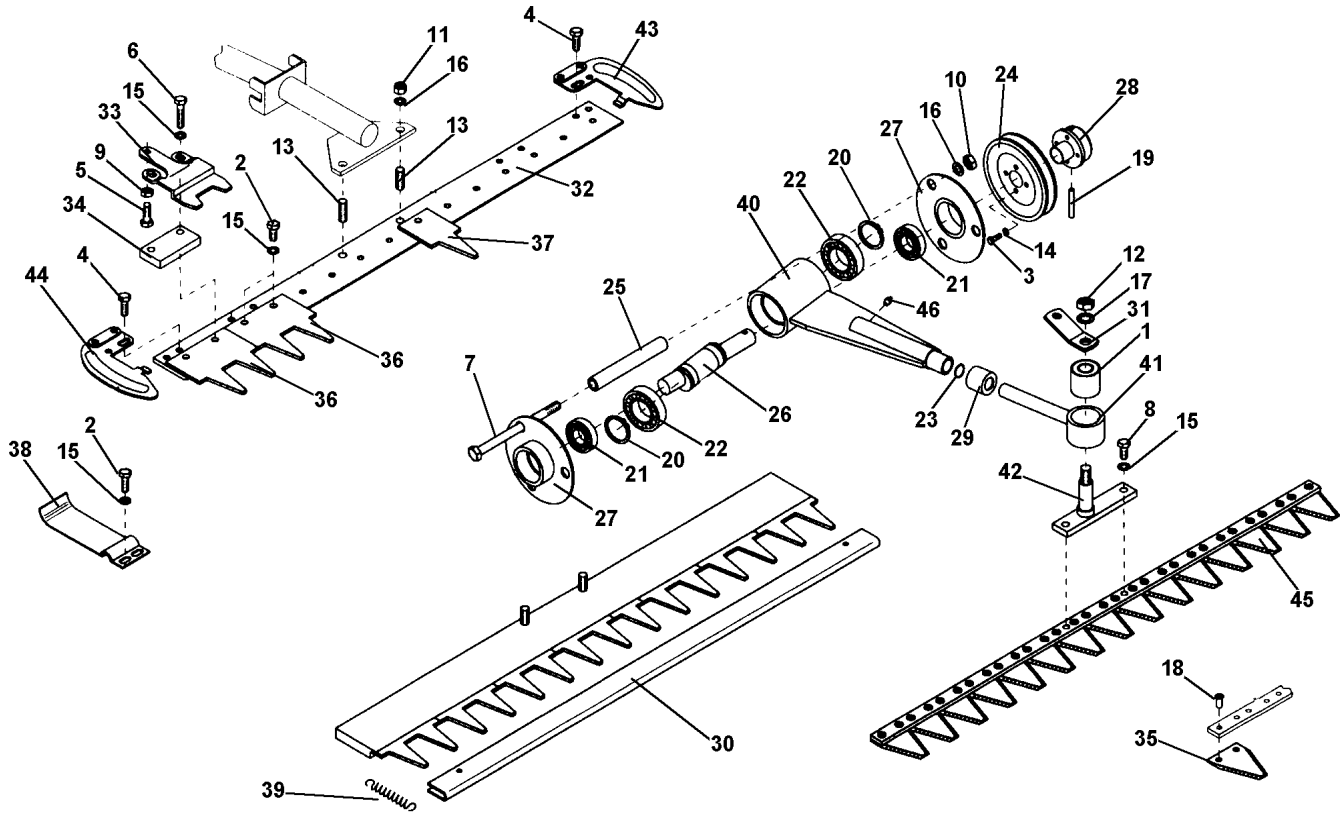
Cutter Bar

Serial Number Range
1000 - -----

04.00



| ID | PARTNO | DESCRIPTION | DENOMINACION | NOTES |
|----|-----------|-----------------------|----------------------|-------|
| 1 | 300.10160 | SILENT BLOCK | SILENTBLOC | |
| 2 | 311.11151 | SCREW M8X16 | TORNILLO M8X16 | |
| 3 | 311.12050 | SCREW M5X16 | TORNILLO M5X16 | |
| 4 | 311.12148 | SCREW M8X14 | TORNILLO M8X14 | |
| 5 | 311.12150 | SCREW M8X20 | TORNILLO M8X20 | |
| 6 | 311.12153 | SCREW M8X35 | TORNILLO M8X35 | |
| 7 | 311.12228 | SCREW M10X120 | TORNILLO M10X120 | |
| 8 | 311.13093 | SCREW M8X1X16 | TORNILLO M8X1X16 | |
| 9 | 312.11080 | NUT M8 | TUERCA M8 | |
| 10 | 312.11100 | NUT, M10 | TUERCA M10 | |
| 11 | 312.41100 | NUT, SELF LOCKING M10 | TUERCA AUTOBLOC. M10 | |
| 12 | 312.41121 | NUT, SELF LOCKING M12 | TUERCA AUTOBLOC. M12 | |
| 13 | 313.11101 | STUD M10X30 | PRISIONERO M10X30 | |
| 14 | 314.11053 | WASHER, FLAT M5.3 | ARANDELA PLANA 5.3 | |
| 15 | 314.21083 | WASHER M8.4 | ARANDELA M8.4 | |
| 16 | 314.21101 | SUPER WASHER M10 | SUPER ARANDELA M10 | |
| 17 | 314.21130 | SUPER WASHER M13 | SUPER ARANDELA M13 | |
| 18 | 331.12530 | RIVET M5.3X14 | REMACHE M5.3X14 | |
| 19 | 342.11068 | LOCKING PIN M6X45 | ESPINA DE RES. M6X45 | |
| 20 | 351.21030 | CIRCLIP, EXTERNAL | SEEGER | |
| 21 | 371.12200 | BEARING M20X47X14 | COJINETE M20X47X14 | |
| 22 | 371.12230 | BEARING M30X55X13 | COJINETE M30X55X13 | |
| 23 | 381.11564 | "O" RING | OR | |
| 24 | 532.46829 | PULLEY | POLEA | |
| 25 | 561.46797 | SPACER | SEPARADOR | |
| 26 | 561.46826 | ARTICULATING SHAFT | ARBOL MANGUETA | |
| 27 | 561.46827 | BEARING HOLDER | SOPORTE COJINETE | |
| 28 | 561.46830 | PULLEY HUB | CUBO POLEA | |
| 29 | 561.46835 | SPACER | SEPARADOR | |
| 30 | 561.46878 | BLADE GUARD | PROTECCION CUCHILLA | |
| 31 | 561.46880 | HOOD BRACKET | ATAQUE | |
| 32 | 563.48936 | SLIDE FOR CUTTERBAR | PATIN PARA BARRA | |
| 33 | 563.51400 | BLADE HOLDER | GUIA CUCHILLA | |
| 34 | 563.51402 | BLADE GUIDE BLOCK | CUBO GUIA CUCHILLA | |
| 35 | 563.59015 | INDIVIDUAL BLADE | SECCION CUCHILLA | |



| ID | PARTNO | DESCRIPTION | DENOMINACION | NOTES |
|----|-------------|------------------|-----------------------------|-------|
| 36 | 565.50648 | DOUBLE FINGER | DIENTE DOBLE | |
| 37 | 565.50649 | SINGLE FINGER | DIENTE SIMPLE | |
| 38 | 580.46677 | SKID | PATIN CON TORNILLOS | |
| 39 | 580.49942 | SPRING | MUELLE | |
| 40 | 590.46831 | BAR CONTROL | MANIVELA CUCHILLA REFORCADA | |
| 41 | 590.46837 | ARM, BAR CONTROL | ARBOL EXCENTRICO | |
| 42 | 590.46875 | BLADE PIN | PERNO MANDO CUCHILLA | |
| 43 | 590.48931 | R.H. END GUARD | PROTECCION EXTREMO R.H. | |
| 44 | 590.48932 | L.H. END GUARD | PROTECCION EXTREMO L.H. | |
| 45 | 590.59030 | BLADE ASSEMBLY | CUCHILLA | |
| 46 | F0826016000 | GREASE ZIRT | ENGRASADOR | |