



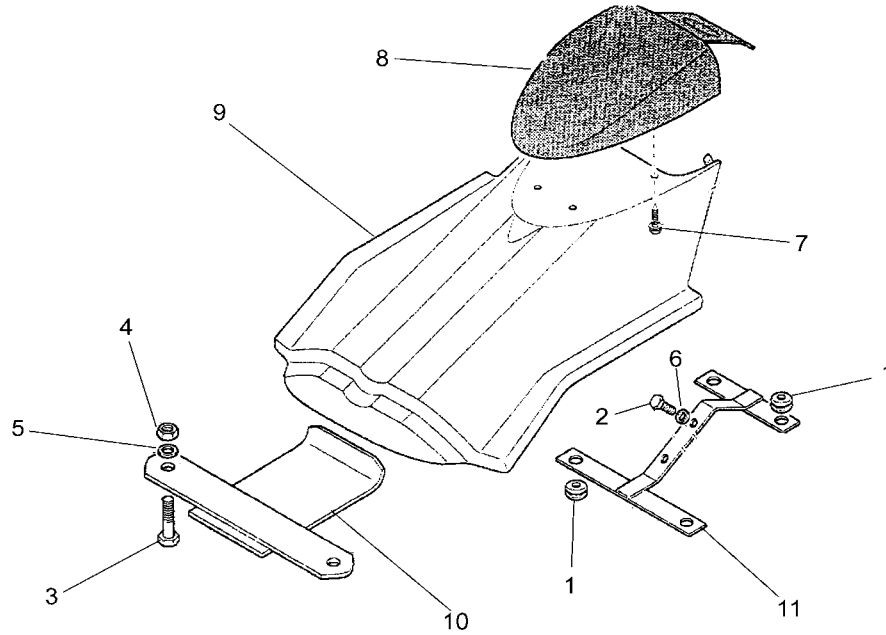
A M E R I C A

620

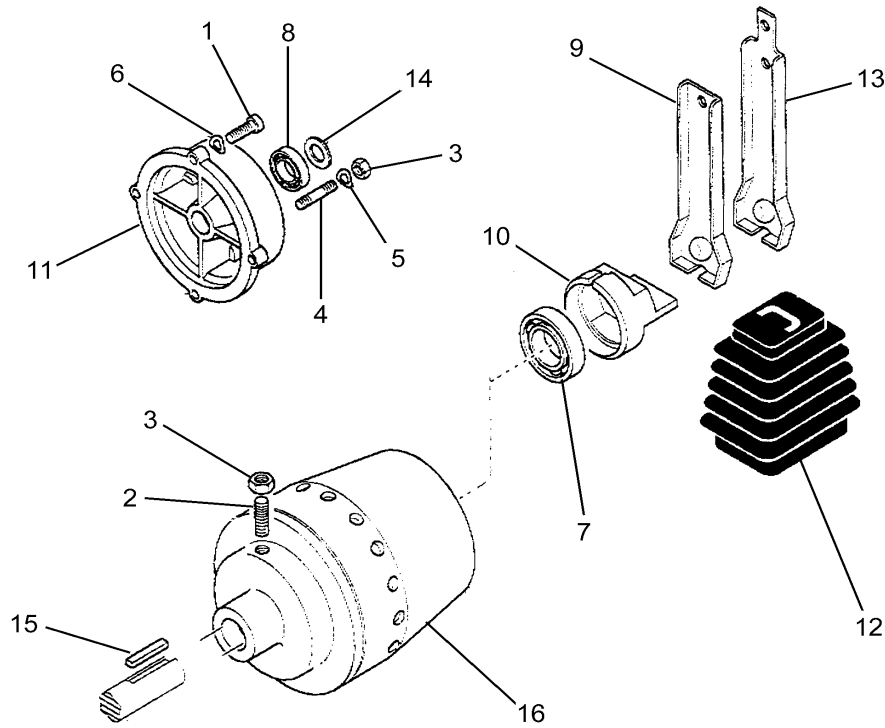
Top Shroud

Serial Number Range
158833 - -----

01.00



| ID | PART NO | DESCRIPTION | DENOMINACION | NOTES |
|----|-----------|------------------------------|-------------------------------|-------|
| 1 | 300.00628 | DAMPER | | |
| 2 | 311.12150 | HEX. SCREW M8X20 UNI 5739-8G | TORNILLO TE M8X20 DIN 933 | |
| 3 | 311.12154 | HEX SCREW M8X40 | TORNILLO TE M8X40 DIN 933 | |
| 4 | 312.41080 | LOCKNUT M 8 | TUERCA AUTOBLOCANTE M8 | |
| 5 | 314.11084 | WASHER P.8,4X17 UNI 6592 | ARANDELA PLANA 8,4X17 DIN 125 | |
| 6 | 314.21083 | SUPER WASHER 8 DIN6796 GALV. | ARANDELA 8 DIN 6796 ZNT | |
| 7 | 315.10100 | TAPPING SCREW HEX 6.3X19 | TORNILLO DIN 7971 14X3/4 | |
| 8 | 552.57525 | TOP GUARD MF | PROTECCION SUPERIOR MS | |
| 9 | 552.57581 | BCS BODYGUARD | CARENADO BCS | |
| 10 | 590.47463 | ENGINE PROTECTION | PROTECTOR MOTOR MITSUB.GM280 | |
| 11 | 590.56982 | LOW BODYGUARD SUPPORT | SOPORTE CARRO MS BAJO COMPL. | |



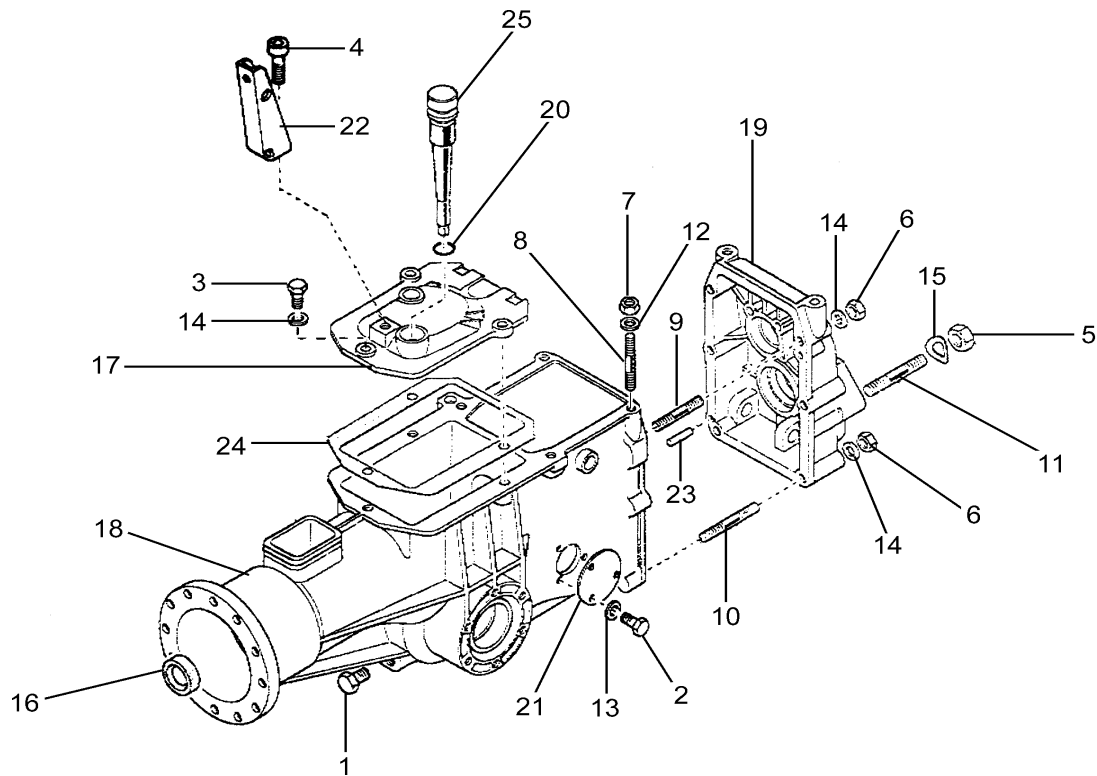
| ID | PARTNO | DESCRIPTION | DENOMINACION | NOTES |
|----|-----------|-------------------------------|--------------------------------|-------|
| 1 | 311.00015 | SCREW 3/8X1 | TORNILLO 3/8X1 | |
| 2 | 311.00786 | SCREW M8X30 UNI 5923 | TORNILLO M8X30 UNI 5923 | |
| 3 | 312.11080 | NUT M8 UNI 5588-5S | TUERCA M8 DIN 934 | |
| 4 | 313.12088 | STUD M8X40X14X14 | ESPÁRRAGO M8X40X14X14 8G | |
| 5 | 314.23084 | SPRING WASHER B 8.4 DIN 137 | ARANDELA ELÁSTICA 8,4 | |
| 6 | 314.23105 | SPRING WASHER B10,5 DIN 137 | ARANDELA ELASTICA B10,5 DIN 13 | |
| 7 | 371.12173 | BEAR.6203 2RS/C3 17X40X12 SKF | COJINETE 6203 2RS/C3 17X40X12 | |
| 8 | 371.12233 | BEARING 6006 2RS1 SKF | COJINETE 6006 2RS1 C3 SKF | |
| 9 | 509.47833 | SHORT CLUTCH LEVER ELEC.START | PALANCA EMBRAGUE CORTA | |
| 10 | 524.47896 | CONE PRESSURE PLATE | PRENSA | |
| 11 | 531.56150 | ENGINE FLANGE B&S 8HP I/P | BRIDA MOTOR B&S 8HP I/P | |
| 12 | 551.47842 | HOOD (FOR CLUTCH LEVER) | FUELLE PALANCA EMBRAGUE AUTO. | |
| 13 | 561.47845 | SELF-COOLING CLUTCH LEVER | PALANCA EMBRAGUE AUTOVENT. | |
| 14 | 563.47484 | CLUTCH SHIELD WASHER | ARANDELA APOYO EMBRAGUE | |
| 15 | 563.49782 | ENGINE KEY | CHAVETA MOTOR KOHLER | |
| 16 | 592.56253 | CLUTCH D.25.4 1 SPRING | EMBRAGUE COMPL. D=25,4 1 MUELL | |

620

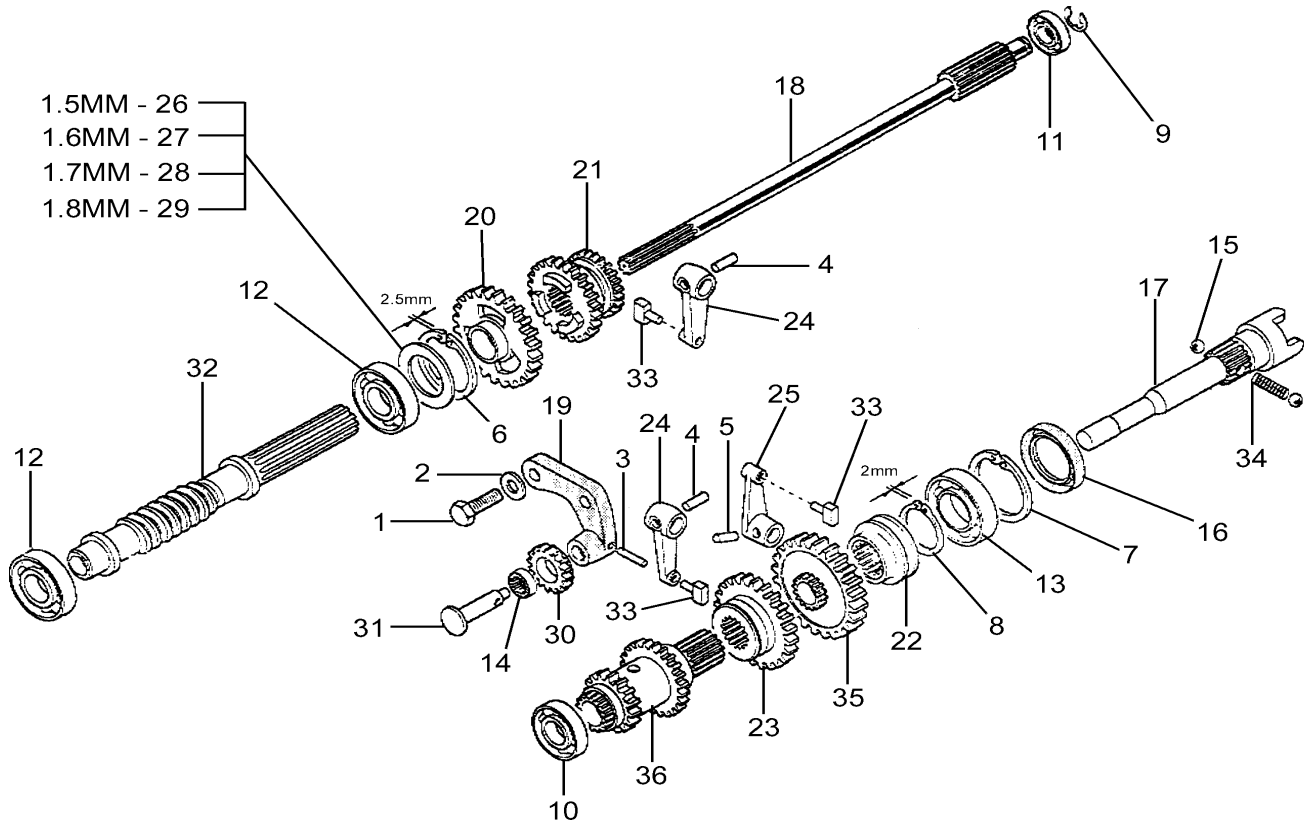
Gearbox

Serial Number Range
158833 - -----

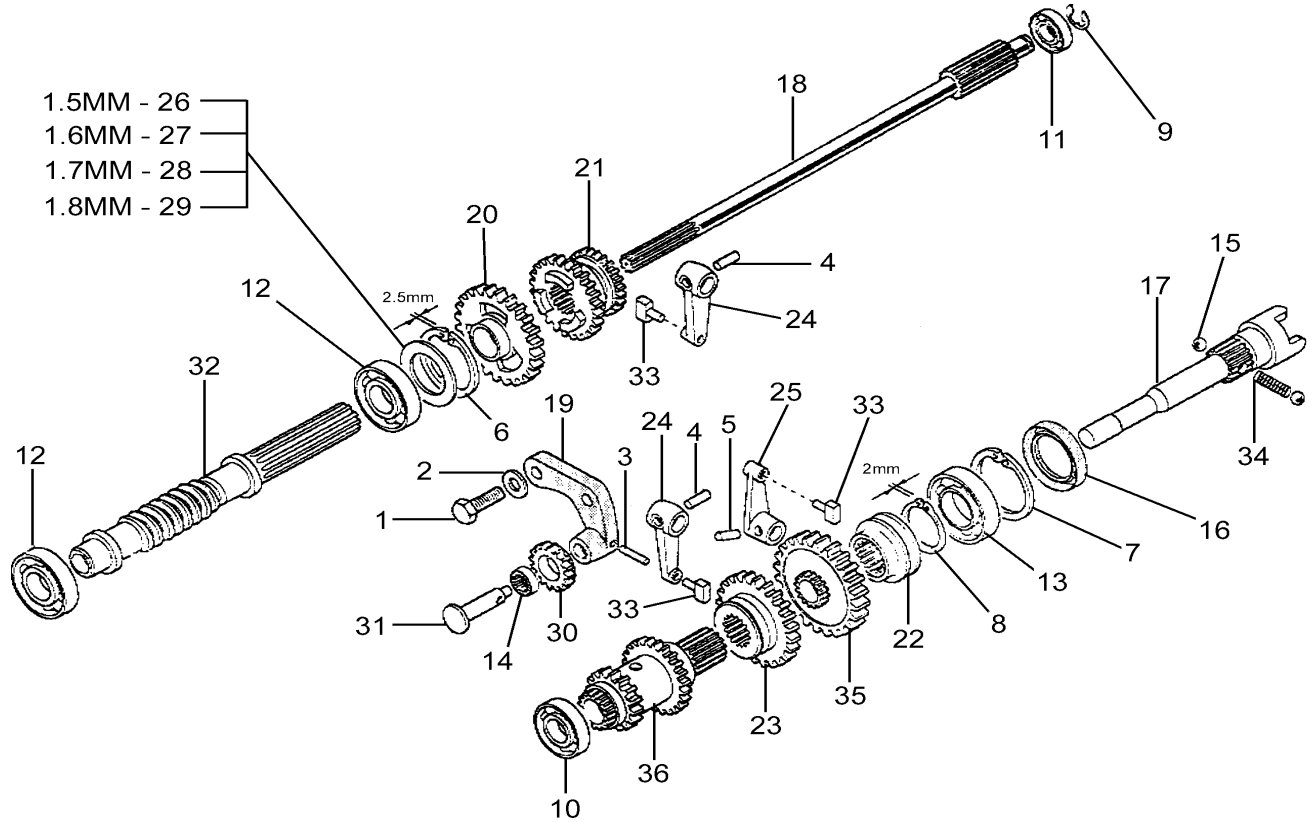
03.00



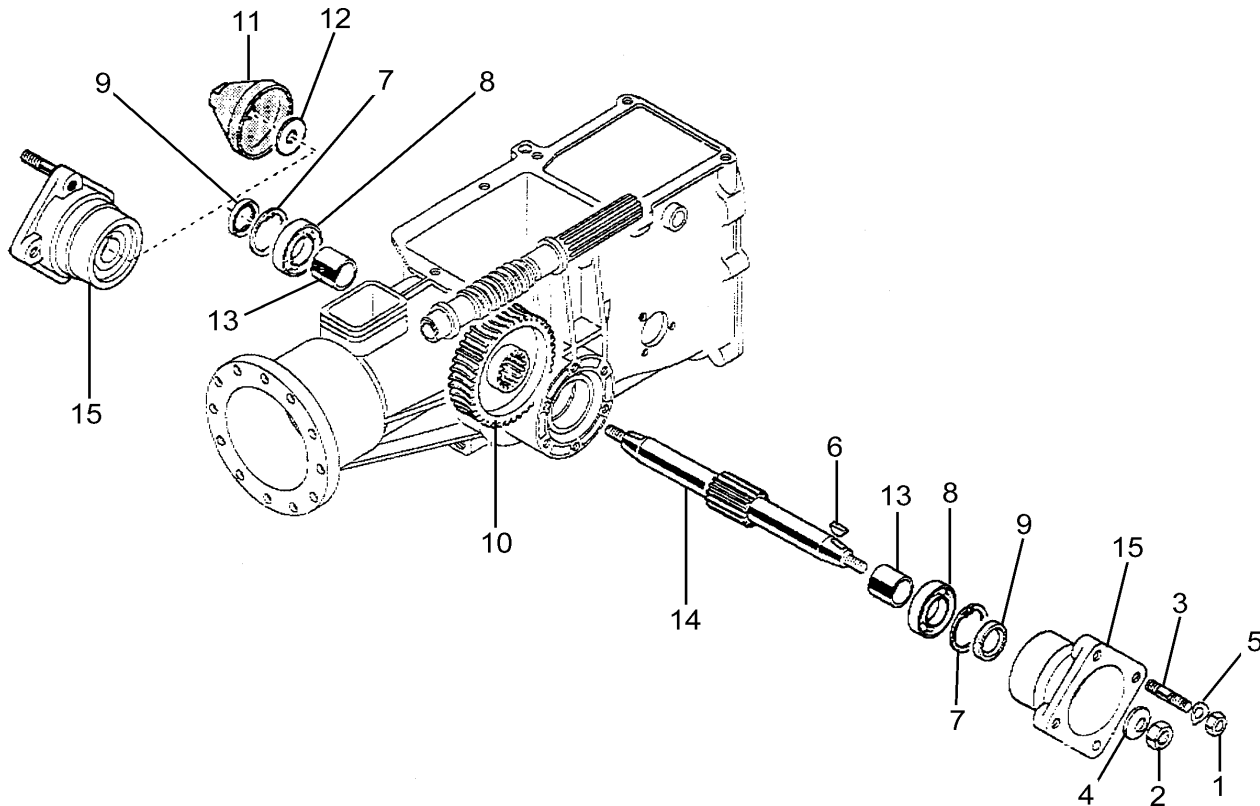
| ID | PARTNO | DESCRIPTION | DENOMINACION | NOTES |
|----|-----------|-------------------------------|--------------------------------|-------|
| 1 | 300.40001 | PLUG 1/4 GAS UNI 364 | TAPÓN 1/4 GAS UNI 364 | |
| 2 | 311.11090 | HEX. SCREW M6X10 UNI 5739 8G | TORNILLO TE M6X10 UNI 5739-5S | |
| 3 | 311.12151 | HEX. SCREW M8X25 UNI 5739-8G | TORNILLO TE M8X25 DIN 933 | |
| 4 | 311.52103 | SCREW M10X25 | TORNILLO M10X25 DIN 912 8G | |
| 5 | 312.21121 | NUT M12X1.25 UNI 5587 6S | TUERCA M12X1,25 UNI 5587-6S | |
| 6 | 312.41080 | LOCKNUT M 8 | TUERCA AUTOBLOCANTE M8 | |
| 7 | 312.41085 | LOCKING NUT M8 DEFORM.6S | TUERCA M8 | |
| 8 | 313.12082 | STUD M8X38X14X20 | ESPÁRRAGO M8X38X14X20 8G | |
| 9 | 313.12084 | STUD M8X58X16X16 8G | ESPARRAGO M8X58X16X16 8G | |
| 10 | 313.12094 | STUD M8X70X16X16 8G | ESPARRAGO M8X68X14X36 8G | |
| 11 | 313.12124 | STUD 56XM12X1.25X26XM12X22 8G | PRIS.56XM12X1,25X26XM12X22 8G | |
| 12 | 314.21083 | SUPER WASHER 8 DIN6796 GALV. | ARANDELA 8 DIN 6796 ZNT | |
| 13 | 314.22064 | SPRING WASHER 6.4 DIN 137 | ARANDELA ELÁSTICA 6,4 | |
| 14 | 314.23084 | SPRING WASHER B 8.4 DIN 137 | ARANDELA ELÁSTICA 8,4 | |
| 15 | 314.23130 | SPRING WASHER B 13 DIN 137 | ARANDELA ELÁSTICA 13 DIN 137 B | |
| 16 | 382.11500 | OIL SEAL 15X28X6 | RETÉN ACEITE 15X28X6 | |
| 17 | 531.43879 | CLOSED GEARBOX COVER | TAPA CAJA CAMBIO CERRADA | |
| 18 | 531.56326 | GEARBOX CASING | CARCASA CAJA | |
| 19 | 531.56332 | REAR COVER | TAPA POSTERIOR | |
| 20 | 551.02678 | RING RUBBER | ANILLO GOMA | |
| 21 | 561.47520 | SIDE BOX COVER | TAPA LATERAL | |
| 22 | 561.47923 | LONG STOP BRACKET | BRIDA CONTRASTE LARGA | |
| 23 | 580.43053 | PARALLEL PIN D 6X20 | PASADOR CILÍNDRICO 6X20 | |
| 24 | 580.43117 | COVER SEAL | JUNTA TAPA | |
| 25 | 590.15425 | CAP WITH MEASURING ROD | TAPON CON BASTON NIVEL | |



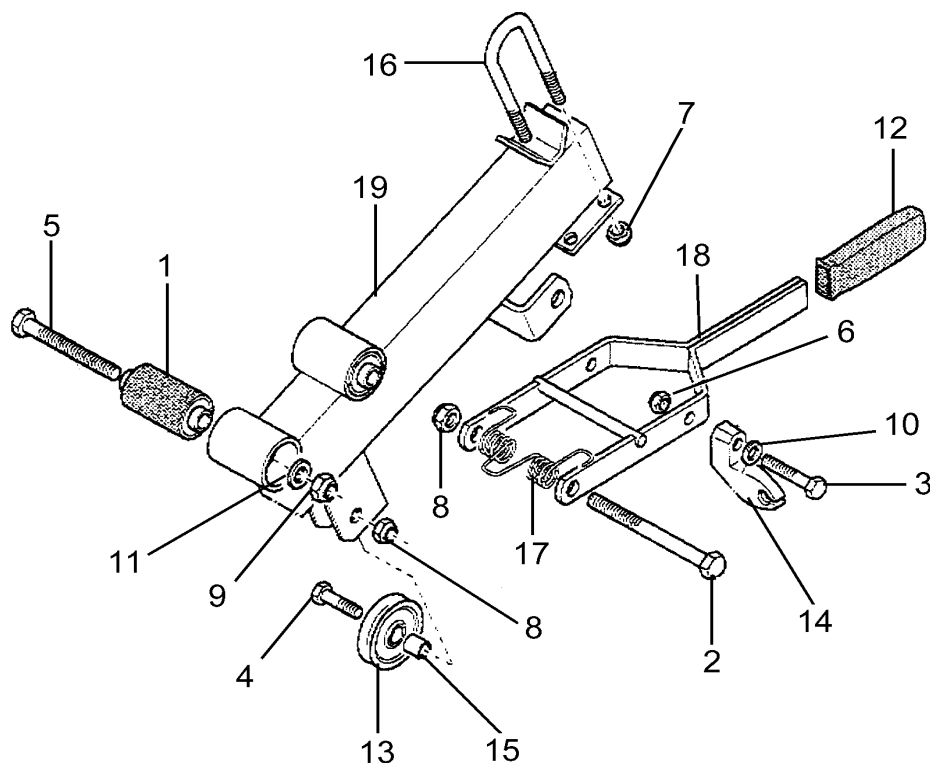
| ID | PARTNO | DESCRIPTION | DENOMINACION | NOTES |
|----|-----------|-------------------------------|--------------------------------|-------|
| 1 | 311.12211 | HEX. SCREW M10X30 UNI 5739-8G | TORNILLO TE M10X30 UNI 5739-8G | |
| 2 | 314.21101 | TOP WASHER 10 | SUPER ARANDELA 10 DIN 6796 ZNT | |
| 3 | 342.13024 | ROLL PIN 4X24 | PASADOR ELASTICO 4X24 1481 | |
| 4 | 342.13060 | ROLL PIN 6X24 SPIROL | PASADOR ELÁSTICO 6X24 U6876 | |
| 5 | 342.13061 | ROLL PIN 6X20 SPIROL U.6876 | PASADOR ELÁSTICO 6X20 U6876 | |
| 6 | 351.11053 | SNAP RING INS.D52 PES.UNI7438 | SEEGER I-53 472 | |
| 7 | 351.11055 | SNAP RING INS.D 55 DIN 472 | SEEGER I-55 472 | |
| 8 | 351.21031 | SNAP RING OUTS.30 S.HVY U7436 | SEEGER EXTERIOR 30S U.7436 | |
| 9 | 352.11120 | SNAP RING | ANILLO BENZING RS 12 DIN 679 | |
| 10 | 371.11151 | BEARING 6202 15X35X11 SKF | COJINETE 6202-ZZ | |
| 11 | 371.11152 | BEARING 63-02-15X42X13 | COJINETE 15X42X13 6302 | |
| 12 | 371.11255 | BEARING SKF 25X52X15 6205 | COJINETE 25X52X15 6205 C3 SKF | |
| 13 | 371.12229 | BEARING 6006 30X55X13 SKF | COJINETE 6006 30X55X13 SKF | |
| 14 | 373.20120 | BEARING K12X15X10 H | COJINETE DE AGUJAS K12X15X10 H | |
| 15 | 379.10832 | BALL 1/4 RIV RB 6.35 | BOLA 1/4 RIV RB 6,35 | |
| 16 | 382.13800 | OIL SEAL 38X55X7 | RETÉN ACEITE 38X55X7 | |
| 17 | 524.56336 | PTO SHAFT | EJE TOMA POTENCIA | |
| 18 | 524.56340 | INPUT SHAFT | EJE EMBRAGUE | |
| 19 | 524.56344 | REVERSER GEAR MOUNT | SOPORTE ENGRANAJE INVETIDOR | |
| 20 | 524.56354 | GEAR/IDLER 1ST GEAR | ENGRANAJE I VELOCIDAD | |
| 21 | 524.56360 | SPEED SLIDING GEAR 4+3 | PIÑÓN DESPLAZABLE MARCHAS 4+3 | |
| 22 | 524.56362 | PTO SLIDER | CONEXIÓN TDF | |
| 23 | 524.56370 | REVERSER SLIDER | PIÑÓN DESPLAZABLE INVERTIDOR | |
| 24 | 524.56389 | GEAR SLIDER LEVER | PALANCA CORREDERA MARCHAS | |
| 25 | 524.56390 | PTO SLIDER LEVER | PALANCA CORREDERA TDF | |
| 26 | 563.56328 | SPACER RING THICKNESS=1.5 | ANILLO DE RASAMIENTO SP=1,5 | |
| 27 | 563.56329 | SPACER RING THICKNESS=1.6 | ANILLO DE RASAMIENTO SP=1,6 | |
| 28 | 563.56330 | SPACER RING THICKNESS=1.7 | ANILLO DE RASAMIENTO SP=1,7 | |
| 29 | 563.56331 | SPACER RING THICKNESS=1.8 | ANILLO DE RASAMIENTO SP=1,8 | |
| 30 | 564.56347 | REVERSER GEAR | ENGRANAJE INVERTIDOR | |



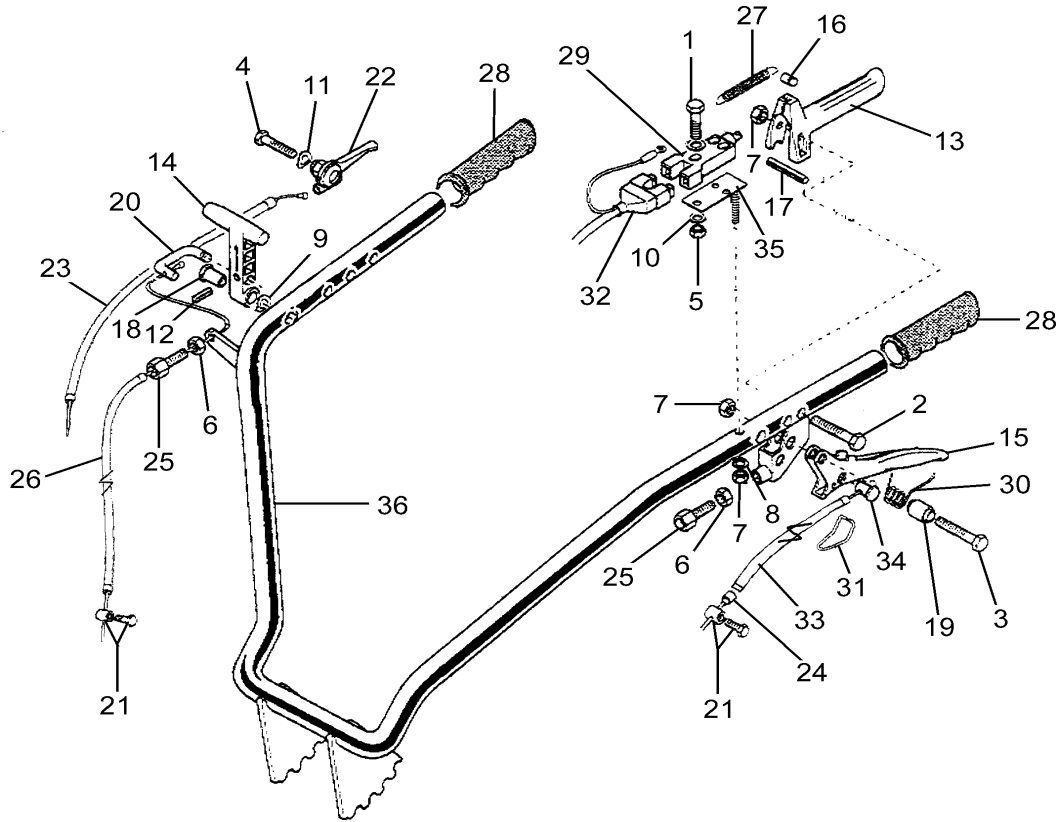
| ID | PART NO | DESCRIPTION | DENOMINACION | NOTES |
|----|-----------|--------------------|------------------------------|-------|
| 31 | 564.56351 | GEAR PIN | PERNO ENGRANAJE | |
| 32 | 564.56478 | WORM SCREW 2 START | TORNILLO SINFIN 2 PRINCIPIOS | |
| 33 | 580.43086 | SHOE | PATIN | |
| 34 | 580.56391 | PTO SLIDING SPRING | MUELLE DESPLAZABLE TDF | |
| 35 | 590.56365 | PTO GEAR COMPL. | ENGRANAJE TDF COMPL. | |
| 36 | 590.56383 | TRIPLE GEAR | ENGRANAJE TRIPLE COMPLETO | |

620**Wheel Axle****Serial Number Range**
156431 - -----**05.00**

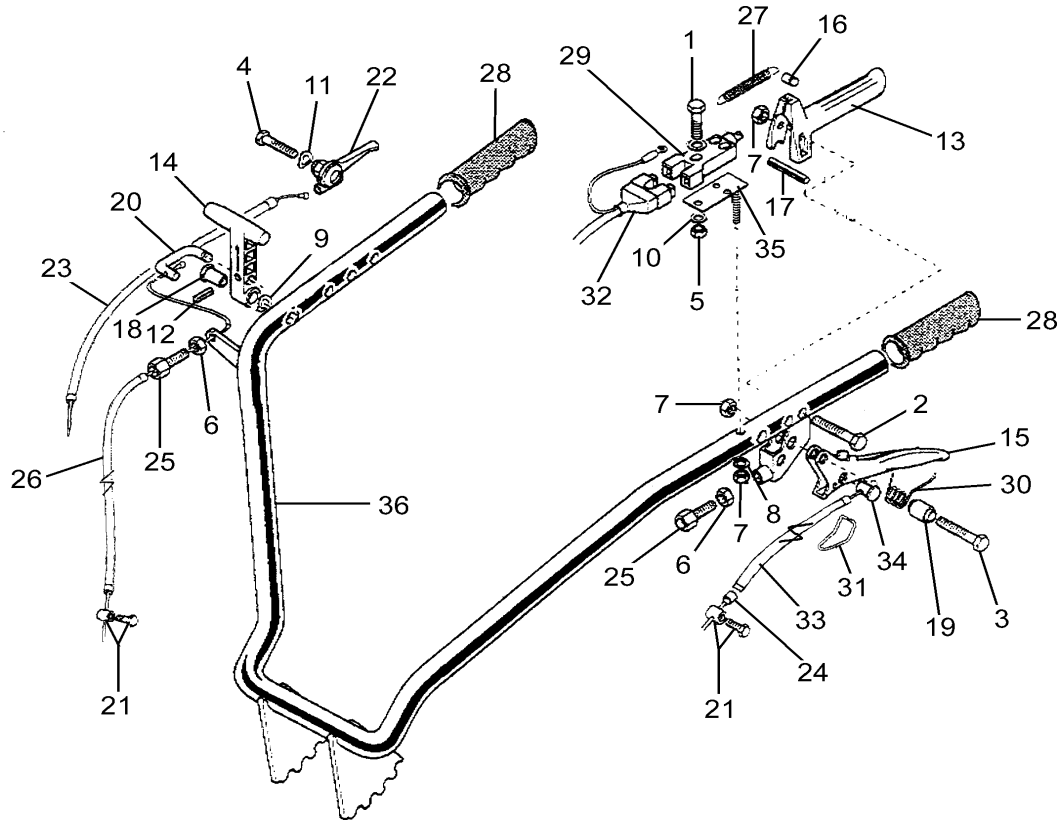
| ID | PART NO | DESCRIPTION | DENOMINACION | NOTES |
|----|-----------|-----------------------------|--------------------------------|-------|
| 1 | 312.11100 | NUT M 10 UNI 5588 6S | TUERCA M10 UNI 5588 6S | |
| 2 | 312.41120 | SELF-LOCKING NUT M12 | TUERCA AUTOBLOCANTE M12 NORMAL | |
| 3 | 313.12102 | STUD M10X40X22X14 8G | ESPÁRRAGO M10X40X24X12 8G | |
| 4 | 314.21130 | TOP WASHER 12 | SUPER ARANDELA 12 DIN 6796 ZNT | |
| 5 | 314.23105 | SPRING WASHER B10,5 DIN 137 | ARANDELA ELASTICA B10,5 DIN 13 | |
| 6 | 343.11060 | KEY 6X10 UNI 6606 | CHAVETA 6X10 UNI 6606 | |
| 7 | 351.11052 | INSIDE SEEGER D 52 DIN 472 | SEEGER I-52 472 | |
| 8 | 371.11255 | BEARING SKF 25X52X15 6205 | COJINETE 25X52X15 6205 C3 SKF | |
| 9 | 382.12501 | OIL SEAL 25X52X10 NORMAL | RETÉN ACEITE 25X52X10 | |
| 10 | 541.43149 | CROWN GEAR Z=49 MF L-HAND 2 | CORONA Z-49 IZQUIERDA | |
| 11 | 552.43592 | WHEEL CAP | CUPULA RUEDA | |
| 12 | 561.42314 | WASHER 12.5X34X4 | ARANDELA 12,5X34X5 | |
| 13 | 561.43059 | SPACER | SEPARADOR | |
| 14 | 563.43058 | WHEEL SHAFT | EJE RUEDAS | |
| 15 | 590.43063 | WHEEL HUB WITH STUD | CUBO RUEDA CON ESPÁRRAGO | |



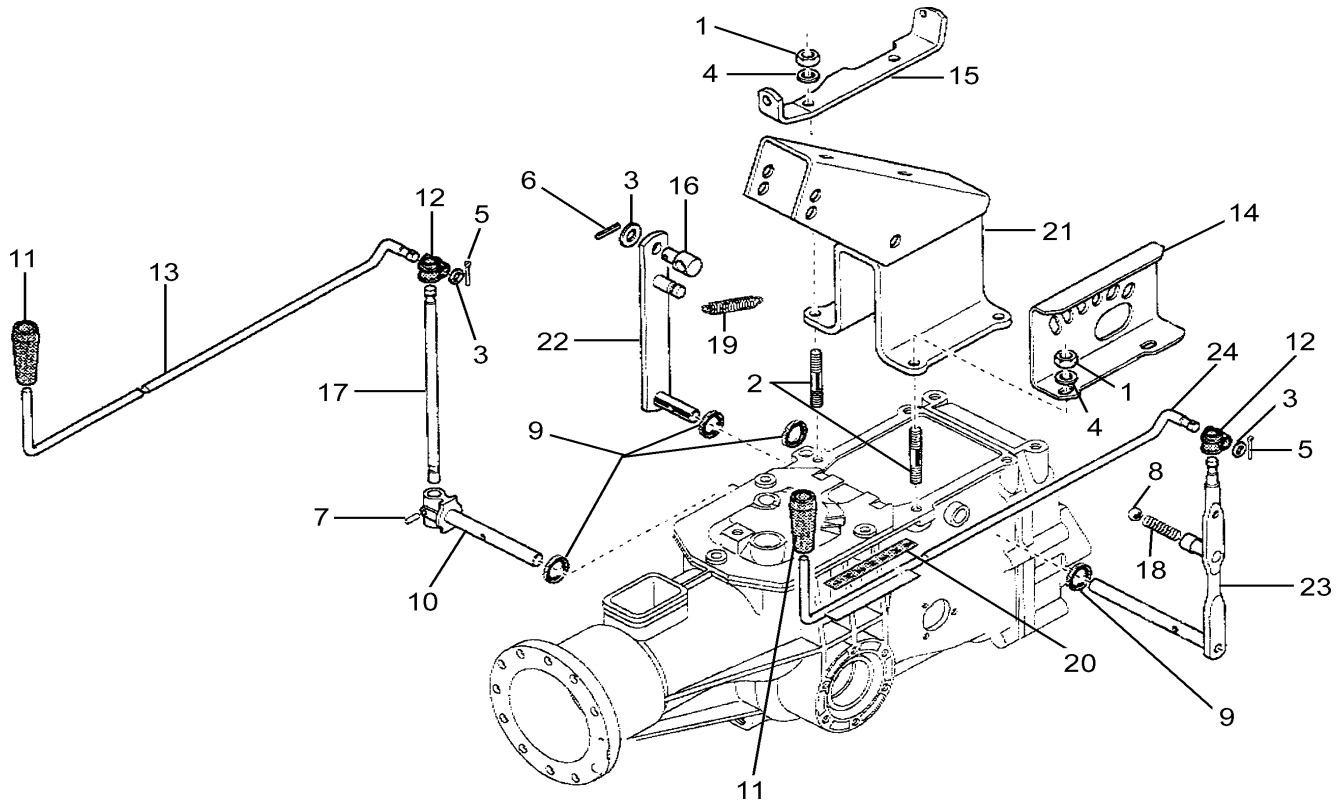
| ID | PARTNO | DESCRIPTION | DENOMINACION | NOTES |
|----|-----------|--------------------------------|--------------------------------|-------|
| 1 | 300.10120 | SILENTBLOCK 12X40X58X66-47602 | SILENTBLOC 12X40X58X66-47602 | |
| 2 | 311.11229 | HEX SCREW M10X110 UNI 5737 8G | TORNILLO TE M10X110 UNI 5737 8 | |
| 3 | 311.12153 | HEX SCREW M8X35 UNI 5739-8G | TORNILLO TE M8X35 DIN 933 | |
| 4 | 311.12211 | HEX. SCREW M10X30 UNI 5739-8G | TORNILLO TE M10X30 UNI 5739-8G | |
| 5 | 311.12295 | HEX SCREW M12X95 UNI 5739 8G | TORNILLO TE M12X90 UNI 5737 | |
| 6 | 312.11080 | NUT M8 UNI 5588-5S | TUERCA M8 DIN 934 | |
| 7 | 312.41080 | LOCKNUT M 8 | TUERCA AUTOBLOCANTE M8 | |
| 8 | 312.41100 | LOCKNUT M 10 | TUERCA AUTOBLOCANTE M10 | |
| 9 | 312.41121 | SELF-LOCKING NUT M12 LOW | TUERCA AUTOBLOCANTE M12 BAJA | |
| 10 | 314.23084 | SPRING WASHER B 8.4 DIN 137 | ARANDELA ELÁSTICA 8,4 | |
| 11 | 314.23130 | SPRING WASHER B 13 DIN 137 | ARANDELA ELÁSTICA 13 DIN 137 B | |
| 12 | 551.02714 | FLAT KNOB | EMPUÑADURA PLANA | |
| 13 | 552.20363 | BRAKE PULLEY | POLEA FRENOS | |
| 14 | 552.43338 | CONTROL ROD MOUNT | SOPORTE TIRANTE COM. CORTADO | |
| 15 | 561.20364 | BRAKE PULLEY BUSHING | CASQUILLO POLEA FRENOS | |
| 16 | 561.56940 | HANDLEBAR U BOLT | BRIDA MANILLAR | |
| 17 | 580.56942 | HANDLEBAR RELEASE SPRING | MUELLE DESBLOQUEO MANILLAR | |
| 18 | 590.56935 | HANDLEBAR SELECT. LEVER COMPL. | PALANCA SELECTOR MANILLAR COMP | |
| 19 | 590.56980 | 2-WH.TRACT.STEER.COL.W/SIL.BLO | COLUMNA MS97 COMPL.+ SILENBLOC | |



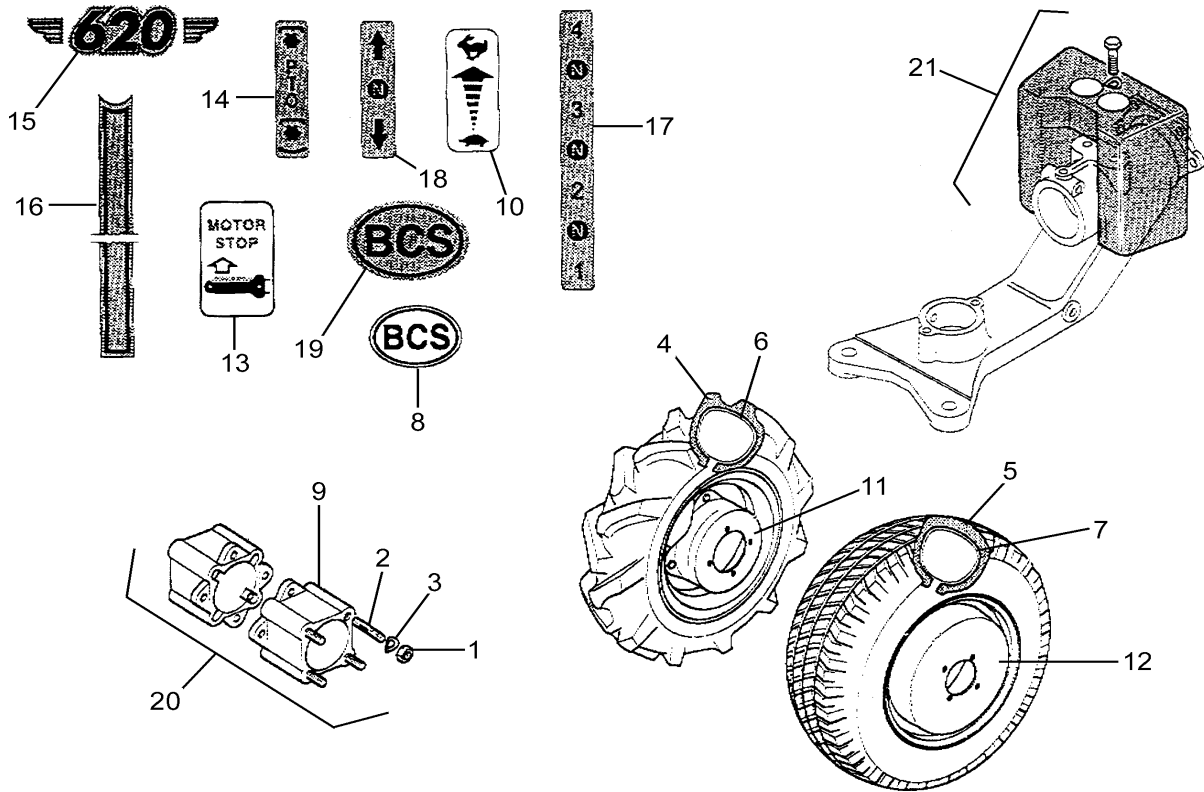
| ID | PART NO | DESCRIPTION | DENOMINACION | NOTES |
|----|-----------|------------------------------|--------------------------------|-------|
| 1 | 311.11086 | HEX SCREW M4X25 | TORNILLO TE M4X25 DIN 933 | |
| 2 | 311.11097 | HEX. SCREW M6X45 UNI 5737 8G | TORNILLO TE M6X45 | |
| 3 | 311.12089 | HEX. SCREW M6X25 UNI 5739-8G | TORNILLO TE M6X25 DIN 933 | |
| 4 | 311.12153 | HEX SCREW M8X35 UNI 5739-8G | TORNILLO TE M8X35 DIN 933 | |
| 5 | 312.11040 | NUT M4 UNI 5588-5S | TUERCA M4 DIN 934 | |
| 6 | 312.11080 | NUT M8 UNI 5588-5S | TUERCA M8 DIN 934 | |
| 7 | 312.41060 | LOCKNUT M 6 | TUERCA AUTOBLOCANTE M6 | |
| 8 | 314.11064 | WASHER P.6,4X12,5 UNI 6592 | ARANDELA PLANA 6,4 DIN 125 | |
| 9 | 314.11084 | WASHER P.8,4X17 UNI 6592 | ARANDELA PLANA 8,4X17 DIN 125 | |
| 10 | 314.23043 | SPRING WASHER B 4.3 | ARAND. ELÁSTICA B 4,3 | |
| 11 | 314.23084 | SPRING WASHER B 8.4 DIN 137 | ARANDELA ELÁSTICA 8,4 | |
| 12 | 342.13020 | SPLIT PIN 4X20 SPIROL | PASADOR ELÁSTICO 4X20 U6876 | |
| 13 | 552.48041 | LEVER MOTOR-STOP | PALANCA MOTOR-STOP | |
| 14 | 552.48283 | REVERSER CONTROL LEVER | PALANCA MANDO INVERTIDOR | |
| 15 | 561.47655 | CLUTCH LEVER | PALANCA EMBRAGUE DISCOS | |
| 16 | 561.47711 | M/S SPRING RETAINER PIN | PERNO RETENCIÓN MUELLE MS | |
| 17 | 561.48037 | PIN/MOTOR STOP LEVER | CIERRE PALANCA MOTOR STOP | |
| 18 | 561.48287 | PIN | PERNO ESTRIADO | |
| 19 | 561.50361 | LEVER SPACER | SEPARADOR PALANCAS | |
| 20 | 561.57332 | U-BOLT | BRIDA | |
| 21 | 580.02429 | TERMINAL SCREW M 5 | PASADOR | |
| 22 | 580.02538 | GAS CONTROL LEVER | PALANCA MANDO GAS | |
| 23 | 580.42067 | CABLE TO GAS SHEATH | CABLE Y FUNDA GAS L=1530 | |
| 24 | 580.42167 | SHEATH END | TERMINAL DE FUNDA | |
| 25 | 580.42202 | ADJUSTING SCREW M 8 | TORNILLO REG. M8 | |
| 26 | 580.43223 | CLUTCH SHEATH & CABLE L 930 | CABLE Y FUNDA L=930 EMBRAGUE | |
| 27 | 580.47712 | M/STOP SPRING COMPL.DIRECT | MUELLE MOTOR STOP COMPL. DIREC | |
| 28 | 580.48000 | KNOB D=27 GLISSA | EMPUÑADURA D=27 | |
| 29 | 580.48009 | STOP SWITCH | INTERRUPTOR PARO | |
| 30 | 580.50345 | SPRING FOR LEVER | MUELLE PARA PALANCA | |
| 31 | 580.51670 | LEVER HOOK | GANCHO PALANCA | |
| 32 | 580.52304 | M/STOP HARNESS MF | CABLEADO M/STOP MS | |
| 33 | 580.57302 | CABLE AND SHEATH L=800 | CABLE Y FUNDA L=800 | |



| ID | PART NO | DESCRIPTION | DENOMINACION | NOTES |
|----|-----------|----------------------------|--------------------------------|-------|
| 34 | 581.50313 | BARREL | PASADOR MANETA D.8 | |
| 35 | 590.47709 | STOP SWITCH SUPPORT COMPL. | SOPORTE INTERRUPTOR STOP COMPL | |
| 36 | 590.57077 | MOTOR MOWER HANDLEBAR | MANILLAR MS COMPLETO | |



| ID | PARTNO | DESCRIPTION | DENOMINACION | NOTES |
|----|-----------|----------------------------------|--------------------------------|-------|
| 1 | 312.41085 | LOCKING NUT M8 DEFORM.6S | TUERCA M8 | |
| 2 | 313.12082 | STUD M8X38X14X20 | ESPÁRRAGO M8X38X14X20 8G | |
| 3 | 314.11104 | FLAT WASHER10.5X18 UNI6592AC. | ARANDELA PLANA 10,5X18 DIN 433 | |
| 4 | 314.21083 | SUPER WASHER 8 DIN6796 GALV. | ARANDELA 8 DIN 6796 ZNT | |
| 5 | 341.10028 | COTTER PIN 3X15 UNI 1336 ACC. | CHAVETA ALETAS 3X15 DIN 94 | |
| 6 | 342.11029 | SPRING SPIGOT 3X16DIN1481 ACC | PASADOR ELÁSTICO 3X16 DIN 1481 | |
| 7 | 342.13020 | SPLIT PIN 4X20 SPIROL | PASADOR ELÁSTICO 4X20 U6876 | |
| 8 | 379.11532 | BALL 15/32 RIV RB 11.906 | BOLA 15/32 RIV RB 11,906 | |
| 9 | 382.11400 | OIL SEAL 14X22X4 | RETÉN ACEITE 14X22X4 | |
| 10 | 523.57250 | PTO PINION | PERNO TDF | |
| 11 | 551.42076 | KNOB | POMO | |
| 12 | 552.42528 | SWIVEL D 10 | UNION D.10 | |
| 13 | 561.49655 | CONTROL ROD | TIRANTE MANDOS | |
| 14 | 561.57235 | GEAR SELECTOR MF | SELECTOR MARCHAS MS | |
| 15 | 561.57244 | REVERSE ROD LEVER EXTENSION | CONTRASTE PALANCA INVERTIDOR | |
| 16 | 561.57246 | SHEATH STOP | CONTRASTE FUNDA | |
| 17 | 561.57256 | PTO LEVER FOR MF | PALANCA TDF MS | |
| 18 | 580.43176 | SPRING | MUELLE | |
| 19 | 580.57247 | CAP SPRING | MUELLE PUNTAL | |
| 20 | 580.57714 | DECAL/SHIFTER | ADHESIVO | |
| 21 | 590.56975 | 2-WH. TRACT. STEERING COL. SUPP. | SOPORTE COLUMNA MS/97 COMPL. | |
| 22 | 590.57240 | INVERTER LEVER COMPL. | PALANCA INVERTIDOR COMPLETA | |
| 23 | 590.57252 | GEAR LEVER COMPL. FOR MF | PALANCA CAMBIO COMPLETA MS | |
| 24 | 590.57270 | GEAR STICK MF | TIRANTE CAMBIO MS | |



| ID | PARTNO | DESCRIPTION | DENOMINACION | NOTES |
|----|-----------|-------------------------------|--------------------------------|-------|
| 1 | 312.11100 | NUT M 10 UNI 5588 6S | TUERCA M10 UNI 5588 6S | |
| 2 | 313.12102 | STUD M10X40X22X14 8G | ESPÁRRAGO M10X40X24X12 8G | |
| 3 | 314.23105 | SPRING WASHER B10,5 DIN 137 | ARANDELA ELASTICA B10,5 DIN 13 | |
| 4 | 391.14010 | TIRE 4.00X10 | NEUMATICO 4.00X10 | |
| 5 | 391.18020 | TIRE 20X8.00-10 | NEUMATICO 20X8.00-10 | |
| 6 | 394.14010 | TUBE 4.00X10 | CAMARA DE NEUMATICO 4.00X10 | |
| 7 | 394.15010 | TUBE 20X8.00-10 | CAMARA DE NEUMATICO 20X8.00-11 | |
| 8 | 530.48656 | DECAL | ADHESIVO | |
| 9 | 531.43712 | WHEEL EXTENSION | EXTECION DE RUEDAS | |
| 10 | 580.46912 | DECAL | ADHESIVO | |
| 11 | 580.48330 | RIM 3.50 D 10" VAR.TREAD COMP | LLANTA 350 B X 10 VARIABLE | |
| 12 | 580.48331 | RIM 6.00 1-10" | LLANTA 6.00-10 | |
| 13 | 580.56953 | DECAL | ADHESIVO | |
| 14 | 580.57678 | DECAL | ADHESIVO | |
| 15 | 580.57685 | DECAL | ADHESIVO | |
| 16 | 580.57687 | DECAL | ADHESIVO | |
| 17 | 580.57698 | DECAL | ADHESIVO | |
| 18 | 580.57712 | DECAL | ADHESIVO | |
| 19 | 580.59211 | DECAL | ADHESIVO | |
| 20 | 922.43685 | WHEEL EXTENSION (PR) | EXTECION DE RUEDAS PAR | |
| 21 | 922.48923 | WEIGHT/CUTTER BAR | PESOS/CUCHILLA | |