

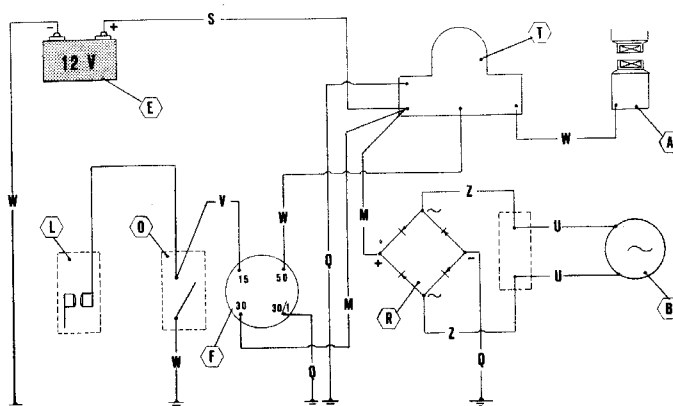


---

A M E R I C A

---



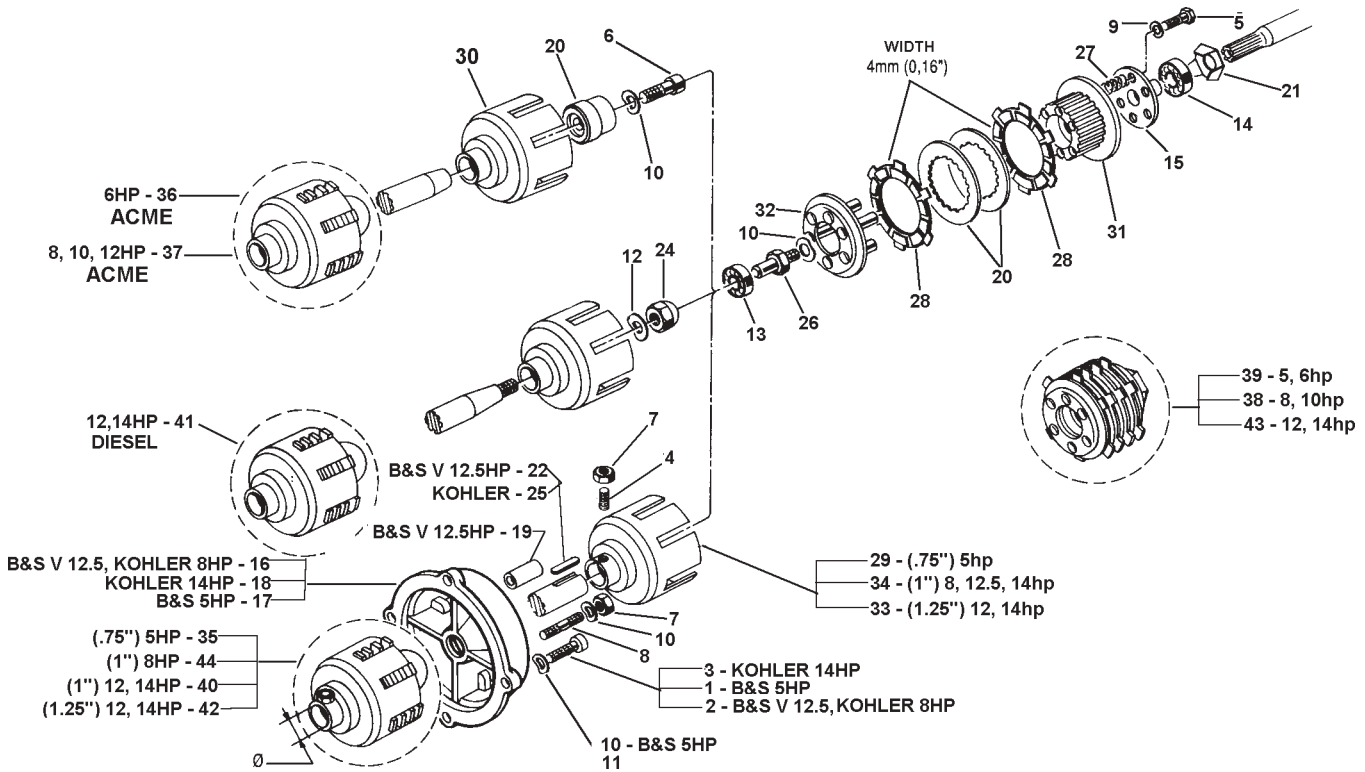


## ELECTRIC STARTER ALN 290—ALN 330 W—AT 330

- |                                     |                            |
|-------------------------------------|----------------------------|
| A: STARTER - MOT. DE ARRANQUE       | R: RECTIFIER - ENDEREZADOR |
| B: GENERATOR - GENERADOR            | M: RED - ROJO              |
| E: BATTERY - BATERIA                | S: BLUE - AZUL             |
| F: SWITCH - INTERRUPTOR             | U: YELLOW - AMARILLO       |
| L: POINTS - PLATINOS                | V: WHITE - BLANCO          |
| O: MOTOR STOP - MOTOR STOP          | Z: BROWN - CASTANO         |
| Q: YELLOW GREEN - AMARILLO VERDE    | W: BLACK - NEGRO           |
| T: REMOTE CONTR SWITCH - TELERUPTOR |                            |

ID	PARTNO	DESCRIPTION	DENOMINACION	NOTES





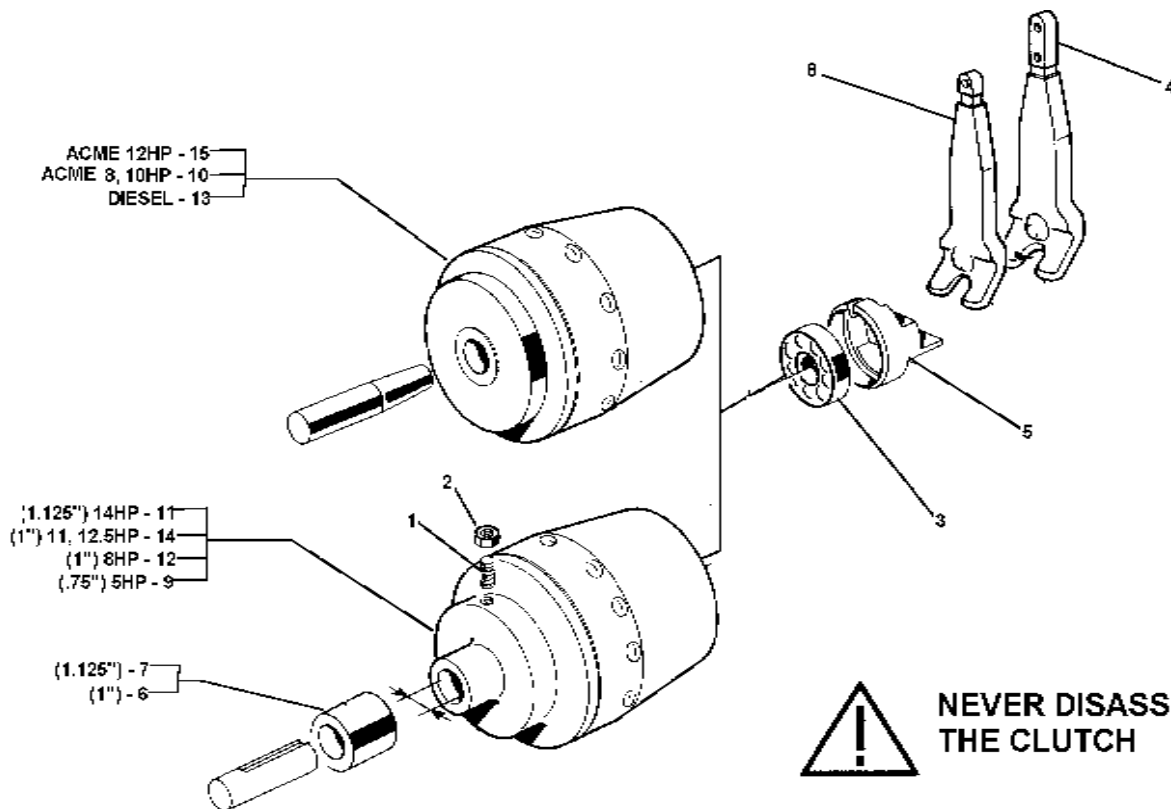
ID	PARTNO	DESCRIPTION	DENOMINACION	NOTES
36	592.47469	DISC CLUTCH ASSEMBLY		36- REPLACED BY 592.47884
37	592.47470	DISC CLUTCH ASSEMBLY	EMBRAGUE A DISCO	
38	592.47471	DISC ASSEMBLY	DISCO EMBRAGUE	
39	592.47475	DISC ASSEMBLY	DISCO EMBRAGUE	
40	592.47478	DISC CLUTCH ASSEMBLY	EMBRAGUE A DISCO	
41	592.49800	DISC CLUTCH ASSEMBLY		41- REPLACED BY 592.47924
42	592.49801	DISC CLUTCH ASSEMBLY		42- REPLACED BY 592.47906
43	592.49802	DISC ASSEMBLY	DISCO EMBRAGUE	
44	592.49809	DISC CLUTCH ASSEMBLY		43- REPLACED BY 592.47907

# 605

# H.D. Cone Clutch

# Serial Number Range 150000 - -----

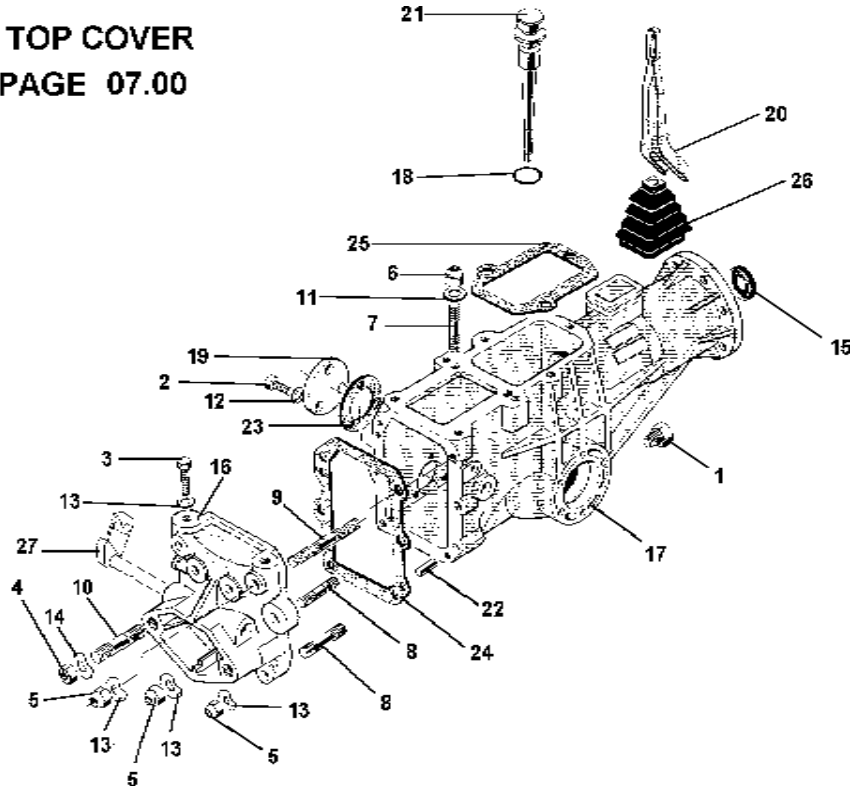
# 04.00



**NEVER DISASSEMBLE  
THE CLUTCH**

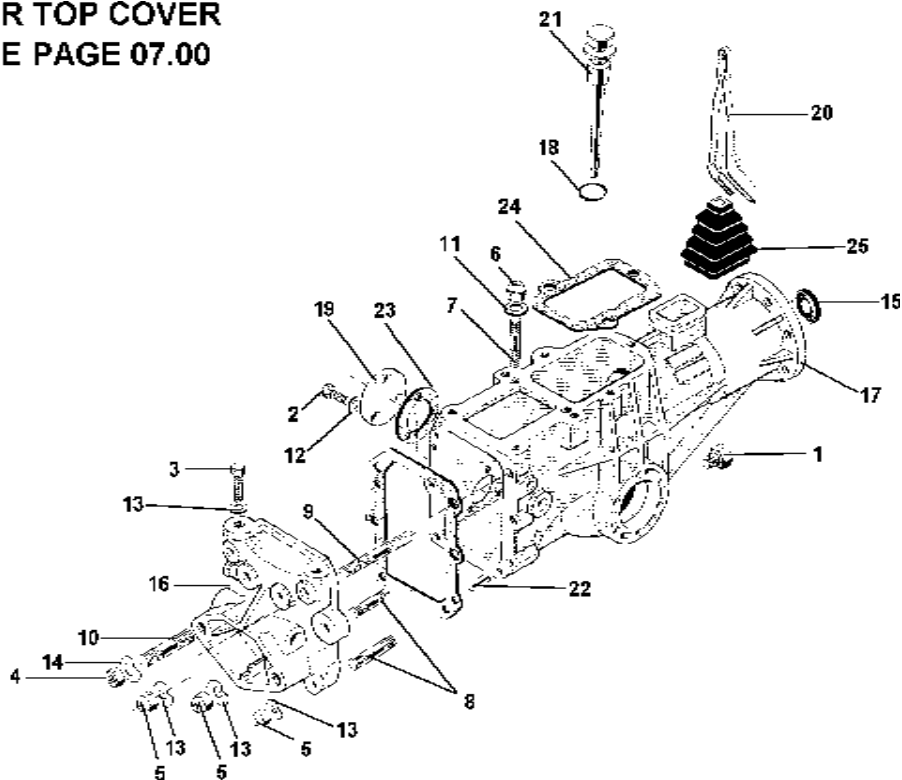
ID	PART NO	DESCRIPTION	DENOMINACION	NOTES
1	311.00786	SET SCREW M8 X 30	TORNILLO M8 X 30 UNI 5923	
2	312.11080	NUT M8	TUERCA M8	
3	371.12173	BEARING 17 X 40 X 12	COJINETE 17 X 40 X 12	
4	522.47874	CLUTCH LEVER - RECOIL START	PALANCA EMBRAGUE	
5	524.47896	CONE PUSHER	EMPUJADOR CONO	
6	561.47480	SPACER 12.5HP VANGARD	SEPARADOR 12.5HP VANGARD	
7	561.47849	SPACER	SEPARADOR	
8	562.47899	CLUTCH LEVER - ELECTRIC START	PALANCA EMBRAGUE	
9	592.43150	HEAVY DUTY CLUTCH	EMBRAGUE A CONICO	
10	592.47884	HEAVY DUTY CLUTCH	EMBRAGUE A CONICO	
11	592.47906	HEAVY DUTY CLUTCH	EMBRAGUE A CONICO	
12	592.47907	HEAVY DUTY CLUTCH	EMBRAGUE A CONICO	
13	592.47924	HEAVY DUTY CLUTCH	EMBRAGUE A CONICO	
14	592.47970	HEAVY DUTY CLUTCH	EMBRAGUE A CONICO	
15	592.47971	HEAVY DUTY CLUTCH	EMBRAGUE A CONICO	

**NOTE: FOR TOP COVER  
PARTS SEE PAGE 07.00**

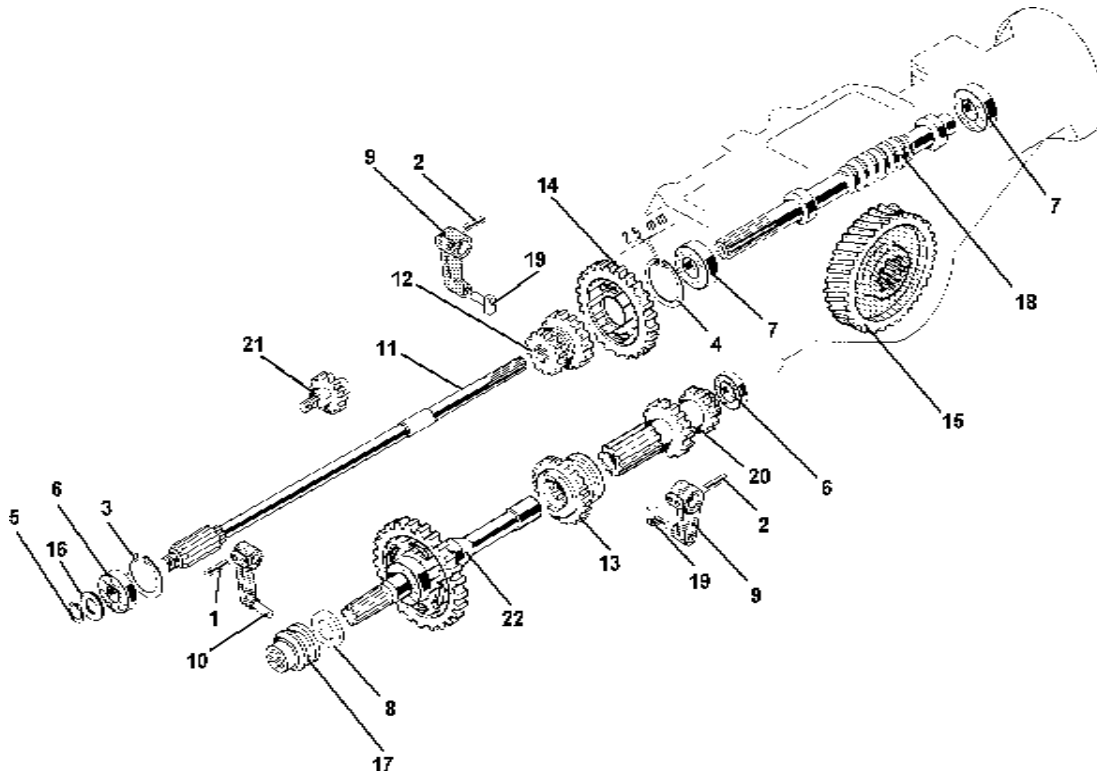


ID	PARTNO	DESCRIPTION	DENOMINACION	NOTES
1	300.40001	PLUG 1/4 GAS	TAPON 1/4 GAS	
2	311.11090	SCREW TE M6 X 10 UNI 5739 5S	TORNILLO TE M6 X 10 UNI 5739 5S	
3	311.12150	SCREW M8 X 20	TORNILLO M8 X 20	
4	312.21121	NUT M12 X 1.25 UNI 5587 6S	TUERCA M12 X 1.25 UNI 5587 6S	
5	312.41080	NUT, SELF LOCKING M8	TUERCA AUTOBLOC. M8	
6	312.41085	NUT	TUERCA	
7	313.12082	STUD M8 X 38 X 14 X 20	PRISIONERO M8 X 38 X 14 X 20	
8	313.12083	STUD M8 X 46 X 16 X 16	PRISIONERO M8 X 46 X 16 X 16	
9	313.12084	STUD M8 X 58 X 16 X 16	PRISIONERO M8 X 58 X 16 X 16	
10	313.12124	ST.56XM12X1.25X26XM12X22 8G	PRIS.56XM12X1.25X26XM12X22 8G	
11	314.21083	SUPER WASHER 8 DIN 6796	ARANDELA SUPER 8 DIN 6796	
12	314.22064	WASHER, LOCK 6.4	ARANDELA DE RES. 6.4	
13	314.23084	WASHER, LOCK 8.4	ARANDELA DE RES. 8.4	
14	314.23130	WASHER, LOCK 13	ARANDELA DE RES. 13	
15	382.11500	OIL SEAL	CHAPA RET. ACEITE	
16	531.47476	REAR COVER	TAPA POSTERIOR	
17	531.49600	GEARBOX 745 / 606-605	CAJA MANDO 745 / 606-605	
18	551.02678	RUBBER RING	ANILLO GOMA	
19	561.47520	SIDE COVER	TAPA LATERAL	
20	562.43113	CLUTCH LEVER	PALANCA EMBRAGUE	
21	580.02666	CAP, WITH MEASURING ROD	VARILLA NIVEL ACEITE CON TAPON	
22	580.43053	PARALLEL PIN D 6 X 20	ESPINA CIL. D 6 X 20	
23	580.43069	GASKET	GUARNICION	
24	580.43094	GASKET, COVER	TAPA GUARNICION	
25	580.43117	GASKET, COVER	TAPA GUARNICION	
26	580.43129	BELLOWS	FUELLE	
27	590.47575	P.T.O. PIN	PERNO TOMA DE FUERZA	

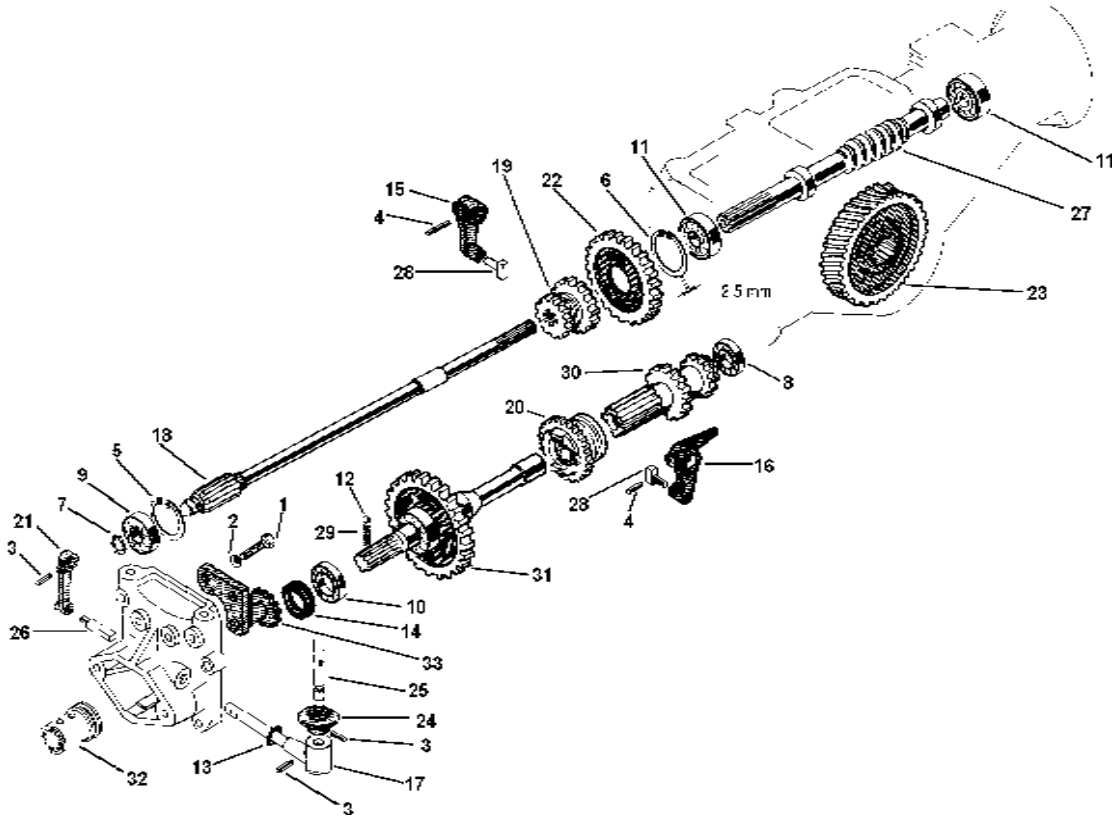
NOTE: FOR TOP COVER  
PARTS SEE PAGE 07.00



ID	PARTNO	DESCRIPTION	DENOMINACION	NOTES
1	300.40001	PLUG 1/4 GAS	TAPON 1/4 GAS	
2	311.11090	SCREW M6 X 10	TORNILLO M6 X 10	
3	311.12150	SCREW M8 X 20	SCREW M8 X 20	
4	312.21121	NUT M12 X 1.25	TUERCA M12 X 1.25	
5	312.41080	NUT, SELFLOCKING M8	TUERCA AUTOBLOC. M8	
6	312.41085	NUT	TUERCA	
7	313.12082	STUD M8 X 38 X 14 X 20	PRISIONERO M8 X 38 X 14 X 20	
8	313.12083	STUD M8 X 46 X 16 X 16	PRISIONERO M8 X 46 X 16 X 16	
9	313.12084	STUD M8 X 58 X 16 X 16	PRISIONERO M8 X 58 X 16 X 16	
10	313.12125	STUD	PRISIONERO	
11	314.21083	SUPER WASHER 8 DIN 6796	ARANDELA SUPER 8 DIN 6796	
12	314.22064	WASHER, LOCK 6.4	ARANDELA DE RES. 6.4	
13	314.23084	WASHER, LOCK 8.4	ARANDELA DE RES. 8.4	
14	314.23130	WASHER, LOCK 13	ARANDELA DE RES. 13	
15	382.11500	OIL SEAL	CHAPA RET. ACEITE	
16	531.47477	REAR COVER	TAPA POSTERIOR	
17	531.49600	GEAR BOX	CAJA MANDO	
18	531.02678	RUBBER RING	ANILLO GOMA	
19	561.47520	SIDE COVER	TAPA LATERAL	
20	562.43113	CLUTCH LEVER	PALANCA EMBRAGUE	
21	580.02666	CAP, WITH DIP STICK	VARILLA NIVEL ACEITE CON TAPON	
22	580.43053	PARALLEL PIN D 6 X 20	ESPINA CIL. D 6 X 20	
23	580.43069	GASKET	GUARNICION	
24	580.43117	GASKET, COVER	TAPA GUARNICION	
25	580.43129	BELLOWS	FUELLE	
26	580.49604	COVER GASKET	GUARNICION TAPA	

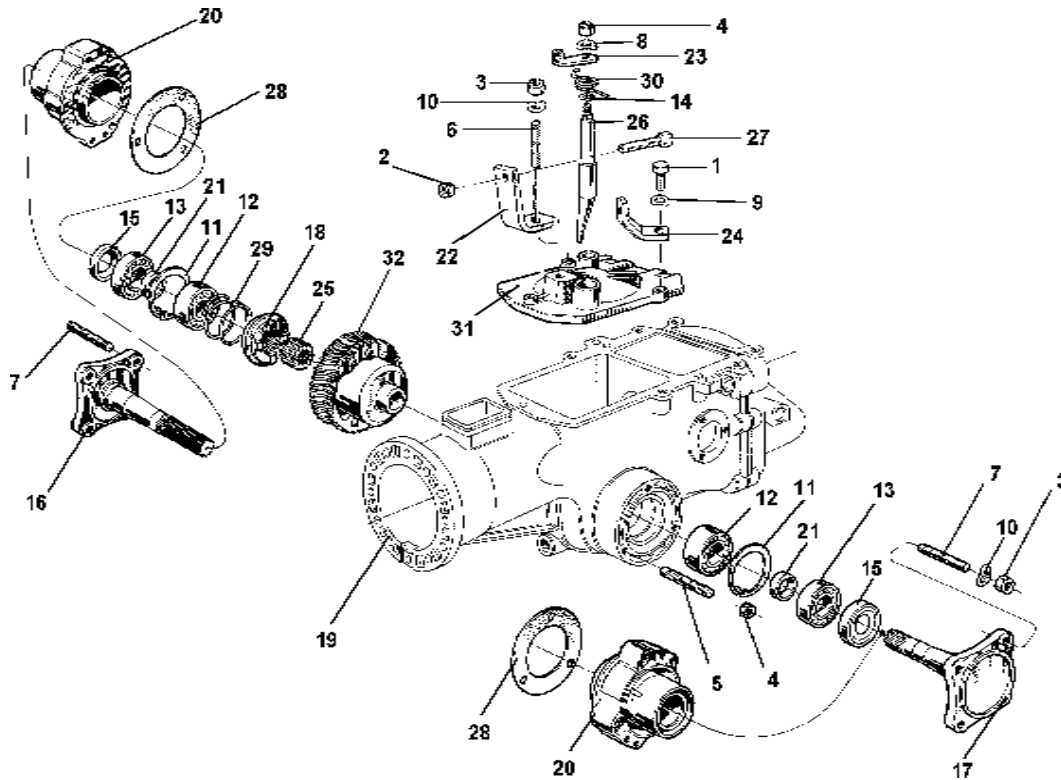


ID	PARTNO	DESCRIPTION	DENOMINACION	NOTES
1	342.13020	LOCKING PIN 4 X 20 SPIRAL	ESPINA DE RES. 4 X 20 ESPIRAL	<b>SOME OF THESE UNITS IN THIS SERIAL NUMBER RANGE MAY HAVE BEEN UPDATED TO THE 25MM PTO SHAFT &amp; 3 DOG COUPLER. SEE PAGE 06.01 FOR PARTS.</b>
2	342.13024	LOCKING PIN 4 X 24 SPIRAL	ESPINA DE RES. 4 X 24 ESPIRAL	
3	351.11035	INSIDE CIRCLIP DIAM. 35	SEEGER INTERIOR DIAM. 35	
4	351.11053	INSIDE CIRCLIP DIAM. 52	SEEGER INTERIOR DIAM. 52	
5	351.21015	CIRCLIP	SEEGER	
6	371.11151	BEARING	COJINETE	
7	371.11255	BEARING SKF 25 X 52 X 15 6205	COJINETE SKF 25 X 52 X 15 6205	
8	382.12001	SEAL, OIL 20 X 35 X 7 STANDARD	CHAPA RET. AC. 20 X 35 X 7 NORM.	
9	521.43171	LEVER, SPEED CHG SLDG GR	PALANCA ENGR. DESLIZABLE MAR.	
10	523.43168	SLIDE LEVER	PALANCA CURSOR	
11	524.47492	CLUTCH SHAFT FOR REVERSER	ARBOL EMBRAGUE PARA INVERT.	
12	524.47495	DOUBLE SLIDER	PINON DESPLAZABLE DOBLE	
13	524.47505	REVERSER SLIDER	PINON DESPLAZABLE P. INVERTIT	
14	524.48078	WHEELS FIRST SPEED	BARRA I VELOCIDAD	
15	541.43149	GEAR Z 49, LH MOTOR MOWER	MANDO IZQ. MOTOSEGADORA	
16	561.43932	WASHER 15.1 X 25 X 2	ARANDELA 15.1 X 25 X 2	
17	564.43164	SLIDER	CURSOR	
18	564.48525	WORM GEAR	TORNILLO SIN FIN	
19	580.43086	SHOE	ZAPATO	
20	590.47500	SECOND GEAR	ENGRANAJE SEGUNDO	
21	590.47509	REVERSER PIN	PERNO INVERTIDOR	
22	590.48073	P.T.O. SHAFT	ARBOL TOMA DE FUERZA	

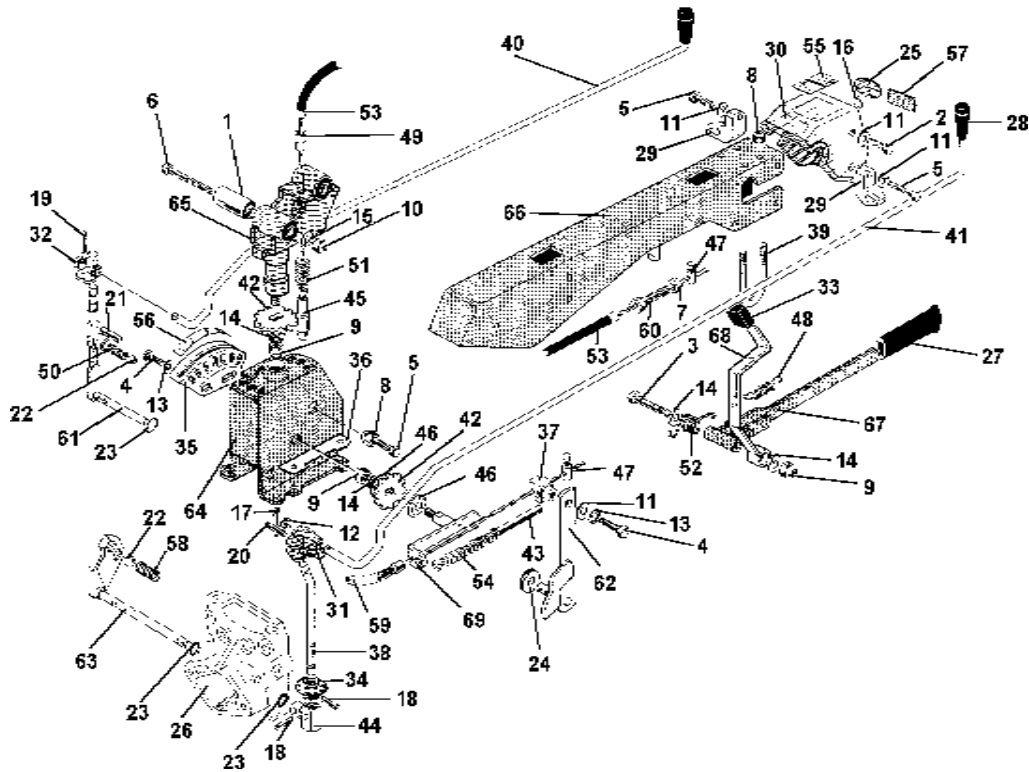


ID	PARTNO	DESCRIPTION	DENOMINACION	NOTES
1	311.12211	SCREW M10 X 30	TORNILLO M10 X 30	
2	314.21101	SUPER WASHER 10	ARANDELA SUPER 10	
3	342.13020	LOCKING PIN 4 X 20 SPIRAL	ESPIÑA DE RES. 4 X 20 ESPIRAL	
4	342.13024	LOCKING PIN 4 X 24 SPIRAL	ESPIÑA DE RES. 4 X 24 ESPIRAL	
5	351.11042	CIRCLIP, INTERNAL	SEEGER INT.	
6	351.11053	CIRCLIP INTERNAL	SEEGER INTERNO DIAM. 52	
7	351.21015	CIRCLIP	SEEGER	
8	371.11151	BEARING	COJINETE	
9	371.11152	BEARING 15 X 42 X 13	COJINETE 15 X 42 X 13	
10	371.11255	BEARING 25 X 52 X 15	COJINETE 25 X 52 X 15	
11	371.41250	BEARING	COJINETE	
12	379.11238	BALL 3/8	BOLA 3/8	
13	381.11191	O-RING	OR	
14	382.12500	OIL SEAL 25 X 40 X 7	CHAPA RET. ACEITE 25 X 40 X 7	
15	521.43171	LEVER, SPEED CHG SLDG GR	PALANCA ENGR. DESLIZABLE MAR.	
16	521.47530	LEVER, REVERSER	PALANCA INVERTIDOR	
17	523.47532	PTO CONTROL PIN	PERNO MANDO TOMA DE FUERZA	
18	524.47492	MAIN DRIVE SHAFT	ARBOL EMBRAGUE PARA INVERT.	
19	524.47495	DOUBLE SLIDER	PINON DESPLAZABLE DOBLE	
20	524.47516	SLIDER, REVERSER	PINON DESPLAZABLE INVERTIDOR	
21	524.47523	PTO LEVER	PALANCA TOMA DE FUERZA	
22	524.48078	WHEELS FIRST SPEED	BARRA I VELOCIDAD	
23	541.43149	GEAR Z 49, LH MOTOR MOWER	MANDO IZQ. MOTOSEGADORA	
24	552.48378	PTO STOP RING	ANILLO CONTRASTE TOMA DE FUERZA	
25	561.47581	PTO CONTROL LEVER	PALANCA MANDO TOMA DE FUERZA	
26	564.47524	PTO SHOE	ZAPATO TOMA DE FUERZA	
27	564.48525	WORM GEAR	TORNILLO SIN FIN	
28	580.43086	SHOE	ZAPATO	
29	580.47579	SPRING	RESORTE D 6.2 X 15	
30	590.47500	SECOND GEAR	ENGRANAJE SEGUNDO	
31	590.47517	PTO SHAFT	ARBOL TOMA DE FUERZA	
32	590.47521	PTO COUPLING	ATAQUE TOMA DE FUERZA	
33	590.47528	GEAR, REVERSER	ENGRANAJE INVERTIDOR	

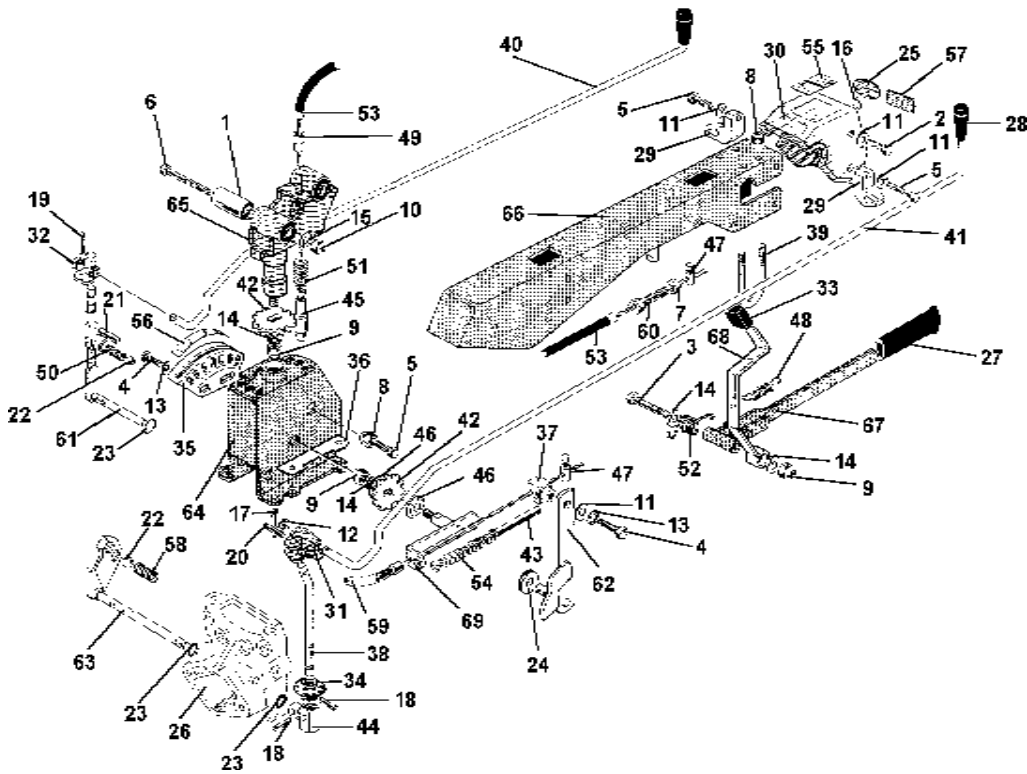
33 - IF SERIAL NUMBER IS BEFORE  
150739, NEW PTO HOUSING WILL BE  
REQUIRED



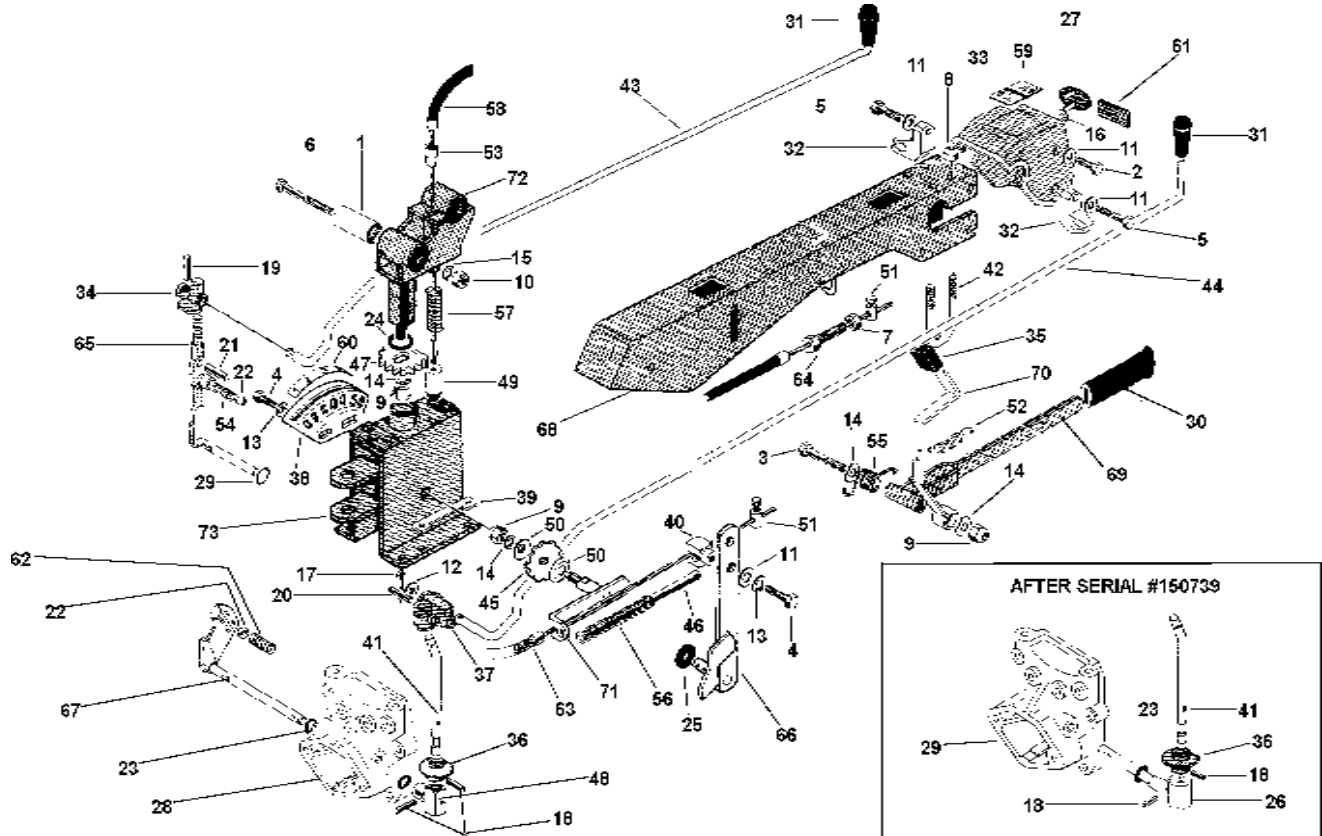
ID	PARTNO	DESCRIPTION	DENOMINACION	NOTES
1	311.12152	SCREW TE M8 X 30	TORNILLO TE M8 X 30	
2	312.11080	NUT M8	TUERCA M8	
3	312.11100	NUT M10	TUERCA M10	
4	312.41080	NUT, SELF LOCKING M8	TUERCA AUTOBLOC. M8	
5	313.12080	STUD M8 X 46 X 20 X 12	PRISIONERO M8 X 46 X 20 X 12	
6	313.12101	STUD M10 X 37 X 19 X 15 8G	PRISIONERO M10 X 37 X 19 X 15 8G	
7	313.12102	STUD M10 X 40 X 22 X 14	PRISIONERO M10 X 40 X 22 X 14	
8	314.11084	WASHER, FLAT 8.4	ARANDELA PLANA 8.4	
9	314.23084	WASHER, LOCK 8.4	ARANDELA DE RES. 8.4	
10	314.23105	WASHER, LOCK 10.5	ARANDE DE RES. 10.5	
11	351.11047	CIRCLIP, INTERN. D 47	SEEGER INT. D 47	
12	371.11202	BEARING 20 X 52 X 15 6304	COJINETE 20 X 52 X 15 6304	
13	371.11253	BEARING 25 X 47 X 12	COJINETE 25 X 47 X 12 6005	
14	381.11400	O-RING 2056 14.00 X 1.78	OR 2056 14.00 X 1.78	
15	382.13002	SEAL, OIL 30 X 40 X 7 STANDARD	CHAPA RET. ACEITE 30 X 40 X 7 NORM.	
16	524.43852	HALF AXLE RIGHT LONG	MANDO DERECHO LARGO	
17	524.43853	HALF AXLE LEFT SHORT	MANDO IZQUIERDO CORTO	
18	524.48182	COUPLING	AUMENTADOX DIF.	
19	531.49600	GEARBOX 745/606-605	CAJA MANDO 745/606-605	
20	532.43851	HUB FOR HALF-AXLE	CUBO	
21	561.43865	RING FOR HALF AXLE	BARRA	
22	561.43878	BRACKET CLUTCH CONTRAST	SOPORTE CONTRASTE	
23	561.43880	LEVER RELEASE	PALANCA DE DESENGANCHE	
24	561.43883	CONTRAST DIFFERENTIAL SHEATH	CONTRASTE VAINA DIFERENTIAL	
25	564.43857	SPACER FOR DIFFERENTIAL	SEPARADOR	
26	564.43871	ROD	BARRA	
27	580.42202	SCREW, ADJUSTING M8	TORNILLO REGULACION M8	
28	580.43855	JOINT GASKET	GUARNICION	
29	580.43874	SPRING	MUELLE	
30	580.43881	SPRING	MUELLE	
31	590.43876	COVER DIFFERENTIAL	TAPA DIFERENTIAL	
32	592.48490	LEFT DIFFERENTIAL	DIFERENTIAL IZQUIERDO	



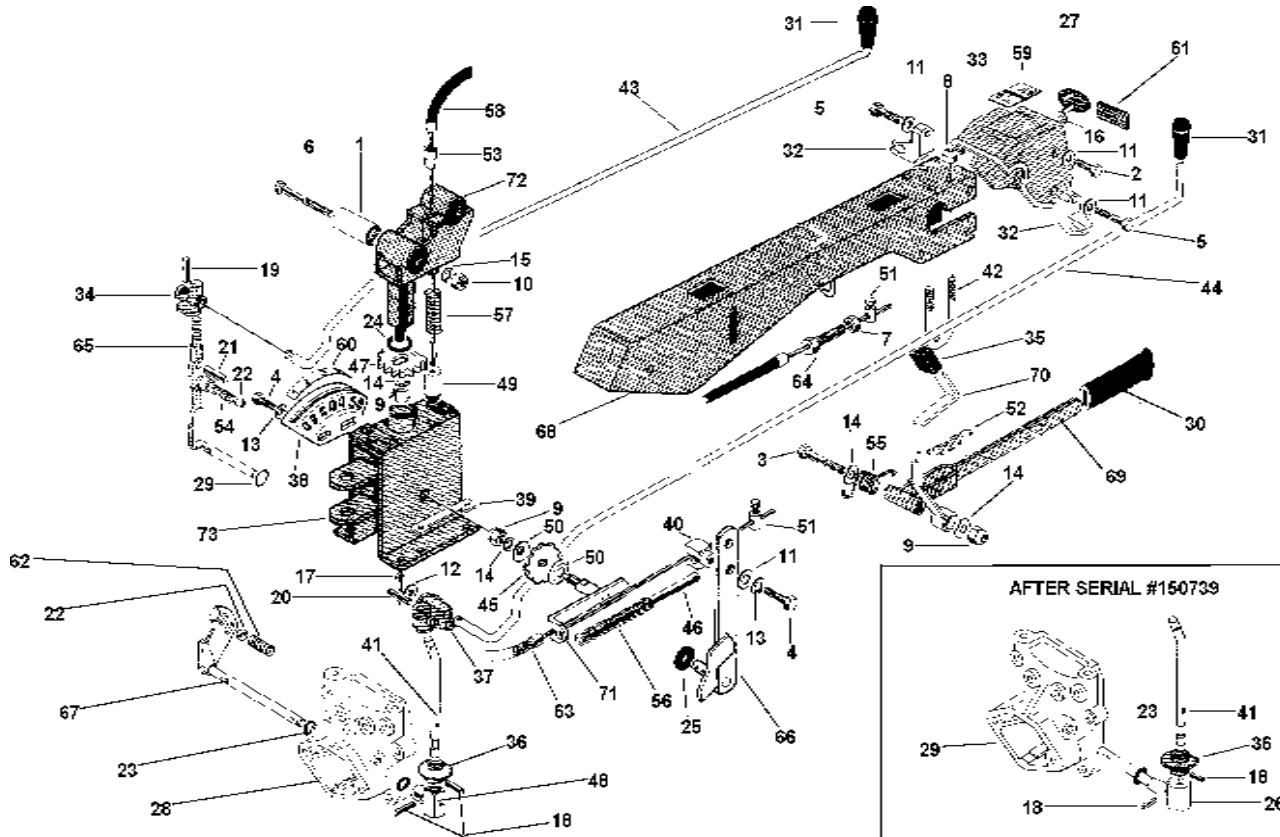
ID	PARTNO	DESCRIPTION	DENOMINACION	NOTES
1	300.10120	SILENTBLOC	SILENTBLOC	
2	311.11151	SCREW M8 X 16	TORNILLO M8 X 16	
3	311.11225	SCREW TE M10 X 90	TORNILLO TE M10 X 90	
4	311.12149	SCREW M8 X 12	TORNILLO M8 X 12	
5	311.12153	SCREW M8 X 35	TORNILLO M8 X 35	
6	311.12295	SCREW TE M12 X 95 UNI 5739 8G	TORNILLO TE M12 X 95 UNI 5739 8G	
7	312.11060	NUT M6	TUERCA M6	
8	312.41080	NUT, SELF LOCKING M8	TUERCA AUTOBLOC. M8	
9	312.41101	NUT, SELF LOCKING M10 LOW	TUERCA AUTOBLOC. M10 BAJA	
10	312.41121	NUT, SELF LOCKING M12 LOW	TUERCA AUTOBLOC. M12 BAJA	
11	314.11084	WASHER, FLAT 8.4	ARANDELA PLANA 8.4	
12	314.11104	WASHER P10.5 X 18	ARANDELA P10.5 X 18	
13	314.23084	WASHER, LOCK 8.4	ARANDELA DE RES. 8.4	
14	314.23105	WASHER, LOCK 10.5	ARANDELA DE RES. 10.5	
15	314.23130	WSHER, LOCK 13	ARANDELA DE RES. 13	
16	314.40004	WASHER, LOCK FOR PINS	D-4 ARAND.ELAST.PARA PERNO D-4	
17	341.10028	COTTER PIN	PASADOR A 3 X 15 UNI 1336 AC.	
18	342.13020	LOCKING PIN 4 X 20 SPIRAL	ESPINA DE RES. 4 X 20 ESPIRAL	
19	342.13022	PIN, LOCKING SW 3 X 22 SPIRAL	ESPINA DE RES. SW 3 X 22 ESPIRAL	
20	342.13024	LOCKING PIN 4 X 24 SPIRAL	ESPINA DE RES. 4 X 24 ESPIRAL	
21	342.13025	LOCKING PIN SPIRAL	ESPINA DE RES. ESPIRAL	
22	379.11532	BALL 15/32 RIV RB-11.906	BOLA 15/32 RIV RB-11.906	
23	381.11191	O-RING 115 11.91 X 2.62	OR 115 11.91 X 2.62	
24	382.11201	SEAL, OIL 12 X 19 X 5 STANDARD	CHAPA RET. AC. 12 X 19 X 5 NORM.	
25	530.48656	MARK OVAL	OVAL MARCA	
26	531.47476	REAR COVER	TAPA POSTERIOR	
27	551.02714	KNOB	MANILLA	
28	551.42076	KNOB	POMO	
29	552.43340	SUPPORT CONTROL ROD CUT	SOPORTE BARRA	
30	552.47636	STEERING COLUMN INSTRUM.PANEL	PANEL	
31	552.47644	GEARBOX ARTICULATION	MANGUETA CAJA DE CAMBIO	
32	552.47645	GEARBOX ARTCULATION	MANGUETA CAJA DE CAMBIO	
33	552.48072	KNOB REDUCTION UNIT LEVER	POMO PALANCA REDUCTOR	
34	552.48378	P.T.O. STOP RING	ANILLO CONTRASTE T.D.F.	
35	561.47550	GEARBOX SELECTOR	SELECTOR CAMBIO	



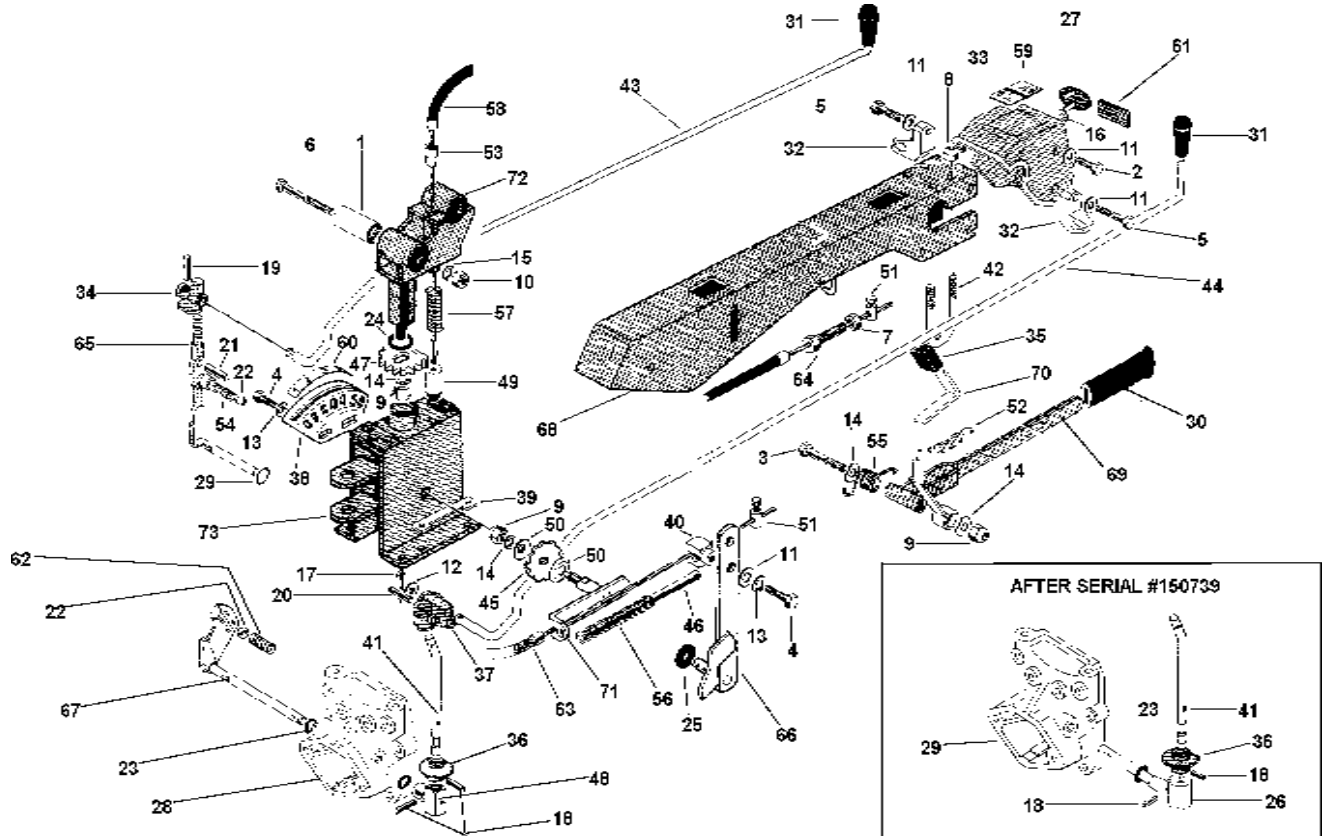
ID	PARTNO	DESCRIPTION	DENOMINACION	NOTES
36	561.47560	REVERSE SPEED LEVER DOG	CONTRASTE PALANCA MARCHA ATRA	
37	561.47574	REVERSER BLOCK	CUBO INVERTIDOR	
38	561.47581	PTO CONTROL LEVER	PALANCA MANDO TOMA DE FUERZA	
39	561.47641	HANDLEBAR U-BOLT	PUENTE MANILLAR	
40	561.47646	GEARBOX CONTROL ROD	EJE CAJA DE CAMBIO	
41	561.47648	PTO CONTROL ROD	EJE MANDO TOMA DE FUERZA	
42	561.47664	REVERSE GEAR	ENGRANAJE INVERSION	
43	561.47672	GUIDE PIN	PERNO GUIA	
44	563.47578	P.T.O. JOINT	JUNTA TOMA DE FUERZA	
45	564.47607	STEERING COLUMN PIN	PERNO COLUMNA	
46	571.48509	PROTECTION END D 32	TAPON PROTECCION D 32	
47	580.02429	CLAMP, CABLE	PASADOR	
48	580.26321	LEVER RETURN SPRING	MUELLE RETROCESO PALANCA	
49	580.42167	END, SHEATH	BULON CABLE EMBRAGUE	
50	580.43176	SPRING	MUELLE	
51	580.47606	STEERING COLUMN RELEASE SPRING	MUELLE DEBLOCAJE COLUMNA	
52	580.47624	HANDLEBAR RELEASE SPRING	MUELLE DEBLOCAJE MANILLAR	
53	580.47628	WIRE AND SHEATH L 90	FILO Y VAINA L 90	
54	580.47671	REVERSER SPRING	MUELLE INVERSOR	
55	580.47731	STEERING COLUMN STICKER	AUTOADHESIVO COLUMNA	
56	580.47734	SPEED STICKER	AUTOADHESIVA AMRCHAS	
57	580.47735	STICKER 605	AUTOADHESIVO 605	
58	580.48369	P.T.O. SPRING	MUELLE TOMA DE FUERZA	
59	580.49663	SHEATH CABLE	CABLE VAINA	
60	581.47704	ADJUSTING SCREW	TORNILLO REGULACION	
61	590.47553	GEARBOX LEVER	PALANCA CAMBIO	
62	590.47565	REVERSER LEVER	PALANCA INVERTIDOR	
63	590.47575	PTO PIN	PERNO TOMA DE FUERZA	
64	590.47584	STEERING COLUMN SUPPORT	SOPORTE COLUMNA	
65	590.47595	STEERING COLUMN COUPLING	ATAQUE COLUMNA	
66	590.47610	STEERING COLUMN	COLUMNA	
67	590.47620	HANDLEBAR RELEASE LEVER	PALANCA DEBLOCAJE MANILLAR	
68	590.47625	STEERING COLUMN LOCKING LEVER	PALANCA BLOCAJE COLUMNA	
69	590.47666	REVERSER POSITION LEVER	PALANCA POSICION INVERTIDOR	



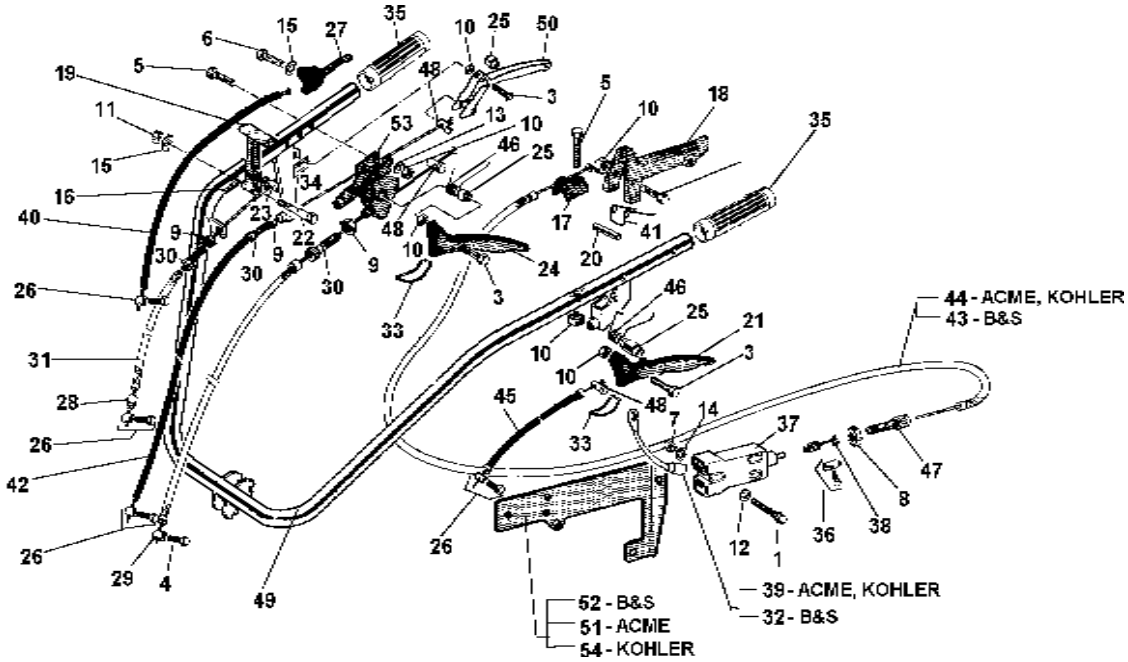
ID	PARTNO	DESCRIPTION	DENOMINACION	NOTES
1	300.10120	SILENTBLOCK	SILENTBLOC	
2	311.11151	SCREW M8 X 16	TORNILLO M8 X 16	
3	311.11225	SCREW TE M10 X 90	TORNILLO TE M10 X 90	
4	311.12149	SCREW M8 X 12	TORNILLO M8 X 12	
5	311.12153	SCREW M8 X 35	TORNILLO M8 X 35	
6	311.12295	SCREW TE M12 X 95	TORNILLO TE M12 X 95	
7	312.11060	NUT M6	TUERCA M6	
8	312.41080	NUT, SELF LOCKING M8	TUERCA AUTOBLOC. M8	
9	312.41101	NUT, SELF LOCKING M10	TUERCA AUTOBLOC. M10	
10	312.41121	NUT, SELF LOCKING M12	TUERCA AUTOBLOC. M12	
11	314.11084	WASHER, FLAT 8.4	ARANDELA PLANA 8.4	
12	314.11104	WASHER P10.5 X 18	ARANDELA P10.5 X 18	
13	314.23084	WASHER, LOCK 8.4	ARANDELA DE RES. 8.4	
14	314.23105	WASHER, LOCK 10.5	ARANDELA DE RES. 10.5	
15	314.23130	WASHER, LOCK 13	ARANDELA DE RES. 13	
16	314.40004	WASHER, LOCK FOR PINS	D-4 ARAND. ELAST. PARA PERNO	
17	341.10028	COTTER PIN	PASADOR A 3 X 15 UNI 1336 AC	
18	342.13020	LOCKING PIN 4 X 20 SPIRAL	ESPINA DE RES. 4 X 20 ESPIRAL	
19	342.13022	PIN, LOCKING SW 3 X 22 SPIRAL	ESPINA DE RES. SW 3 X 22 ESPIRAL	
20	342.13024	LOCKING PIN 4 X 24 SPIRAL	ESPINA DE RES. 4 X 24 ESPIRAL	
21	342.13025	LOCKING PIN SPIRAL	ESPINA DE RES. ESPIRAL	
22	379.11532	BALL 15/32 RIV RB-11.906	BOLA 15/32 RIV RB-11.906	
23	381.11191	O-RING 115 11.91 X 2.62	OR 115 11.91 X 2.62	
24	381.12817	O-RING 4112 28.17 X 3.53	OR 4112 28.17 X 3.53	
25	382.11201	SEAL, OIL 12 X 19 X 5 STANDARD	CHAPA RET. AC. 12 X 19 X 5 NORM.	
26	523.47532	PTO CONTROL PIN D = 25	PERNO MANDO TDF D = 25	
27	530.48656	MARK OVAL	OVAL MARCA	
28	531.47476	REAR COVER, 18MM PTO SHAFT	TAPA POSTERIOR	
29	531.47477	REAR COVER, 25MM PTO SHAFT	TAPA POSTERIOR	
30	551.02714	KNOB	MANILLAR	
31	551.42076	KNOB	POMO	
32	552.43340	SUPPORT CONTROL ROD CUT	SOPORTE BARRA	
33	552.47636	STEERING COLUMN INTERM. PANEL	PANEL	
34	552.47645	GEARBOX ARTICULATION	MANGUETA CAJA DE CAMBIO	
35	552.48072	KNOB REDUCTION UNIT LEVER	POMO PALANCA REDUCTOR	



ID	PARTNO	DESCRIPTION	DENOMINACION	NOTES
36	552.48378	PTO STOP RING	ANILLO CONTRASTE TDF	
37	552.48379	PTO ARTICULATION	MANGUETA TOMA DE FUERZA	
38	561.47550	GEARBOX SELECTOR	SELECTOR CAMBIO	
39	561.47560	REVERSE SPEED LEVER DOG	CONTRASTE PALANCA MARCHA ATRA	
40	561.47574	REVERSE BLOCK	CUBO INVERTIDOR	
41	561.47581	PTO CONTROL LEVER	PALANCA MANDO TOMA DE FUERZA	
42	561.47641	HANDLEBAR U-BOLT	PUENTE MANILLAR	
43	561.47646	GEARBOX CONTROL ROD	EJE CAJA DE CAMBIO	
44	561.47648	PTO CONTROL ROD	EJE MANDO TOMA DE FUERZA	
45	561.47664	REVERSE GEAR	ENGRANAJE INVERSION	
46	561.47672	GUIDE PIN	PERNO GUIA	
47	561.47703	BENDED REVERSER GEAR	ENGRANAJE	
48	563.47578	PTO JOINT	JUNTA TOMA DE FUERZA	
49	563.47700	PUSH ROD D = 8	PUNTAL D = 8	
50	571.48509	PROTECTION END D 32	TAPON PROTECCION D 32	
51	580.02429	CLAMP, CABLE	PASADOR	
52	580.26321	LEVER RETURN SPRING	MUELLE RETROCESO PALANCA	
53	580.42167	END, CABLE	BULON CABLE EMBRAGUE	
54	580.43176	SPRING	MUELLE	
55	580.47624	HANDLEBAR RELEASE SPRING	MUELLE DEBLOCAJE MANILLAR	
56	580.47671	REVERSER SPRING	MUELLE INVERSOR	
57	580.47701	PUSH ROD SPRING	MUELLE PUNTAL	
58	580.47702	STEERING COLUMN CABLE	CABLE PLANTON	
59	580.47731	STEERING COLUMN STICKER	AUTOADHESIVO COLUMNA	
60	580.47734	SPEED STICKER	AUTOADHESIVA MARCHAS	
61	580.47735	STICKER 605	AUTOADHESIVO 605	
62	580.48369	PTO SPRING	MUELLE TOMA DE FUERZA	
63	580.49663	CABLE, REVERSER	CABLE VAINA	
64	581.47704	ADJUSTING SCREW	TORNILLO REGULACION	
65	590.47553	GEARBOX LEVER	PALANCA CAMBIO	
66	590.47565	REVERSER LEVER	PALANCA INVERTIDOR	
67	590.47575	PTO PIN	PERNO TOMA DE FUERZA	
68	590.47610	STEERING COLUMN	COLUMNA	
69	590.47620	HANDLEBAR RELEASE LEVER	PALANCA DEBLOCAJE MANILLAR	
70	590.47625	STEERING COLUMN LOCKING LEVER	PALANCA BLOCAJE COLUMNA	



ID	PARTNO	DESCRIPTION	DENOMINACION	NOTES
71	590.47666	REVERSER POSITION LEVER	PALANCA POSICION INVERTIDOR	
72	590.47688	STEERING COLUMN COUPLING	ATAQUE MANILLAR	
73	590.47690	STEERING COLUMN SUPPORT	SOPORTE MANILLAR	



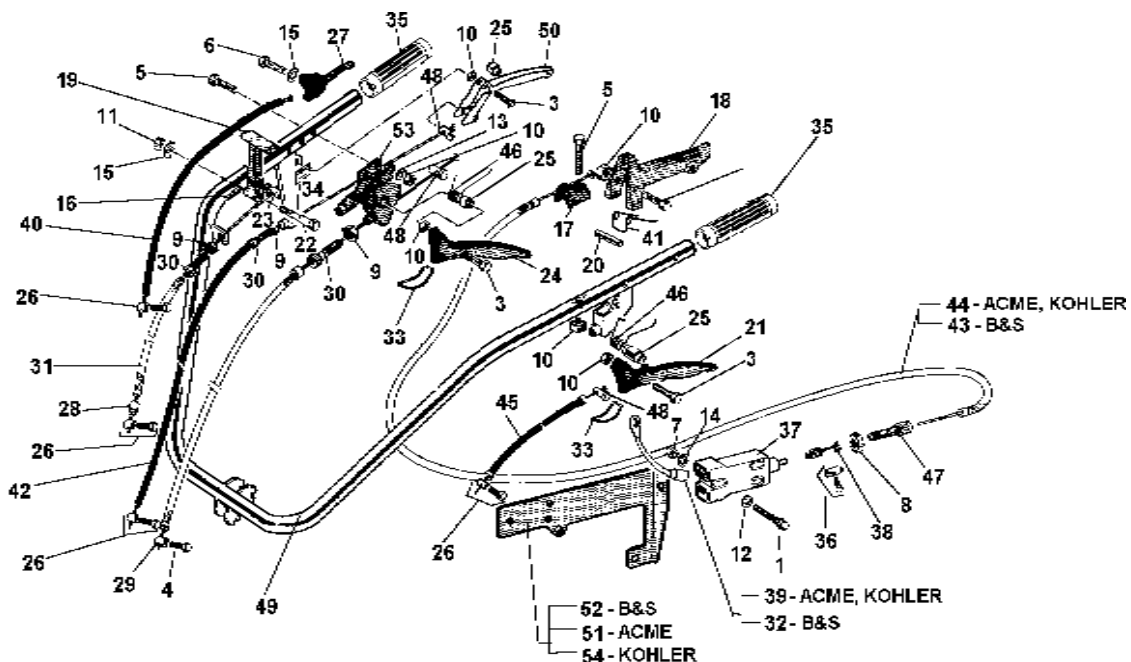
ID	PARTNO	DESCRIPTION	DENOMINACION	NOTES
1	311.11086	SCREW TE M4 X 25	TORNILLO TE M4 X 25	
2	311.11097	SCREW TE M6 X 45	TORNILLO TE M6 X 45	
3	311.12089	SCREW M6 X 25	TORNILLO M6 X 25	
4	311.12090	SCREW TE M6 X 16	TORNILLO TE M6 X 16	
5	311.12092	SCREW M6 X 35	TORNILLO M6 X 35	
6	311.12154	SCREW TE M8 X 40	TORNILLO TE M8 X 40	
7	312.11040	NUT M4	TUERCA M4	
8	312.11060	NUT M6	TUERCA M6	
9	312.11080	NUT M8	TUERCA M8	
10	312.41060	NUT, SELF LOCKING M6	TUERCA AUTOBLOC. M6	
11	312.41080	NUT, SELF LOCKING M8	TUERCA AUTOBLOC. M8	
12	314.11043	FLAT WASHER 4.3	ARANDELA PLANA 4.3	
13	314.22064	WASHER, LOCK 6.4	ARANDELA DE RES. 6.4	
14	314.23043	LOCK WASHER B 4.3	ARANDELA DE RES. B 4.3	
15	314.23084	WASHER, LOCK 8.4	ARANDELA DE RES. 8.4	
16	342.11040	PIN, LOCKING 4 X 20	ESPINDA DE RES. 4 X 20	
17	552.48038	SHEATH STOP OF MOTOR STOP	FUNDA VAINA MOTOR STOP	
18	552.48041	MOTOR STOP LEVER	PALANCA MOTOR STOP	
19	552.48284	LEVER DIFFERENTIAL LOCKING	PALANCA BLOCAJE	
20	561.48037	LEVER STOP FOR MOTOR STOP	FIJACION PALANCA MOTOR STOP	
21	561.48040	CLUTCH LEVER	PALANCA	
22	561.48285	PIN	PERNO	
23	561.48286	DRILLED PIN	PERNO FORADO	
24	561.48470	LEVER	PALANCA	
25	561.50361	LEVER SPACER	PALANCA SEPARADOR	
26	580.02429	CLAMP, CABLE	PASADOR	
27	580.02538	LEVER, ACCELERATOR	PALANCA MANDO GAS	
28	580.42167	CALE END	PASADOR	
29	580.42200	PIN, CABLE CLAMP	PERNO ABRAZADERA CABLE	
30	580.42202	SCREW, ADJUSTING M8	TORNILLO REGULACION M8	
31	580.43216	CABLE, CLUTCH	CABLE Y VAINA	
32	580.47459	SWITCH WIRE 12.5 B&S	CABLES INTERRUPTOR	
33	580.47649	HOOK	ENGANCHE	33 - AFTER SERIAL NUMBER 150643 USE PART NUMBER 580.47649
33	580.51670	HOOK	ENGANCHE	33 - BEFORE SERIAL NUMBER 150643 USE PART NUMBER 580.51670.
34	580.47738	REVERSER STICKER	AUTOADHESIVO INVERTIDOR	

# 605

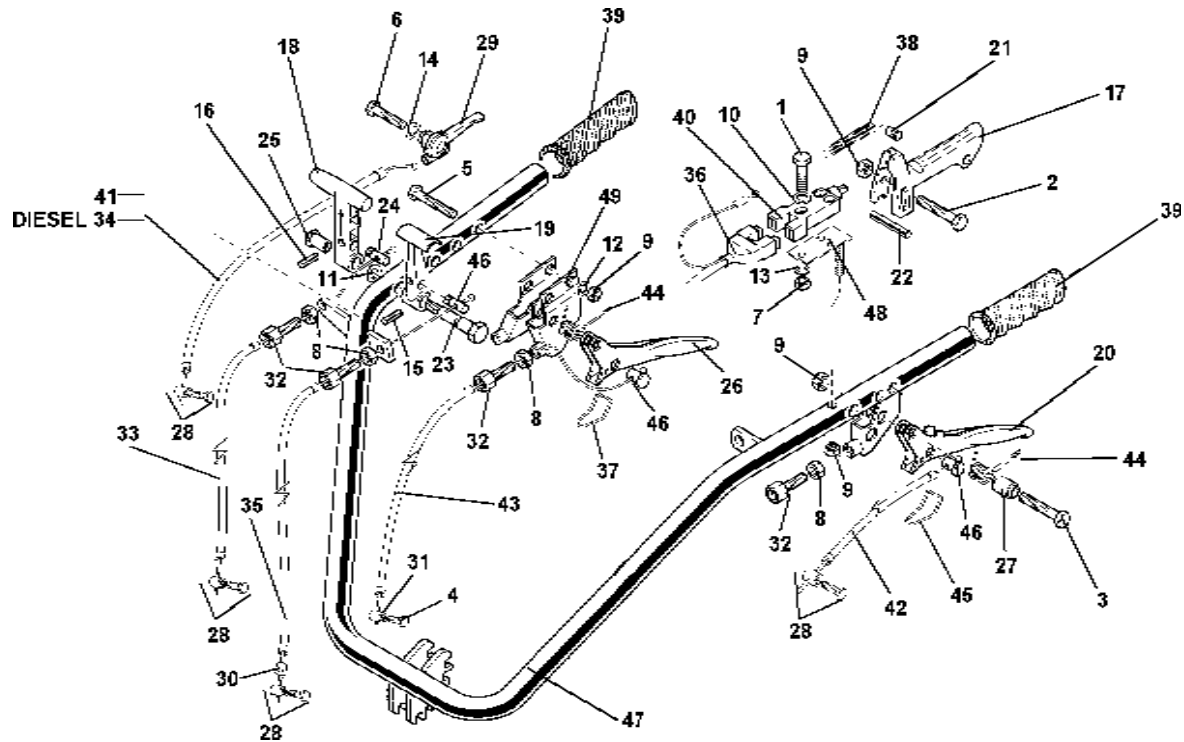
# Handlebar

## Serial Number Range 15000 - 105643

# 09.00



ID	PARTNO	DESCRIPTION	DENOMINACION	NOTES
35	580.48000	GRIP	MANIVELA	
36	580.48002	CABLE CLAMP	PASADOR	
37	580.48009	STOP SWITCH	INTERRUPTOR STOP	
38	580.48010	SWITCH SPRING	MUELLE PARA INTERRUPTOR	
39	580.48011	SWITCH CABLES	CABLES INTERRUPTOR	
40	580.48012	CABLE, ACCELERATOR	ALAMBRE Y VAINA GAS	
41	580.48039	MOTOR STOP LEVER SPRING	MUELLE PALANCA MOTOR STOP	
42	580.48297	CABLE, REVERSER	ALAMBRE Y VAINA L EMBR FR	
43	580.49501	CABLE, STOP 12.5 B&S	CABLE Y VAINA MOTOR STOP	
44	580.49505	CABLE, STOP, ACME & KOHLER	CABLE VAINA	
45	580.49663	CABLE, CLUTCH	CABLE VAINA	
46	580.50345	LEVER SPRING	MUELLE PALANCA	
47	581.47704	ADJUSTING SCREW	TORNILLO REGULACION	
48	581.50313	BARREL	PASADOR	
49	590.47650	HANDLEBAR	MANUBRIO	
50	590.47654	REVERSE SPEED LEVER	PALANCA MANDO TOMA DE FUERZA	
51	590.47705	STOP SWITCH SUPPORT, ACME	SOPORTE INTERRUPTOR STOP	
52	590.47949	STOP SWITCH SUPPORT, 12.5 B&S	SOPORTE INTERRUPTOR STOP	
53	590.48469	COUPLING FOR DOUBLE LEVER	ATAQUE PARA PALANCA DOBLE	
54	590.49784	STOP SWITCH SUPPORT, KOHLER	SOPORTE INTERRUPTOR STOP	



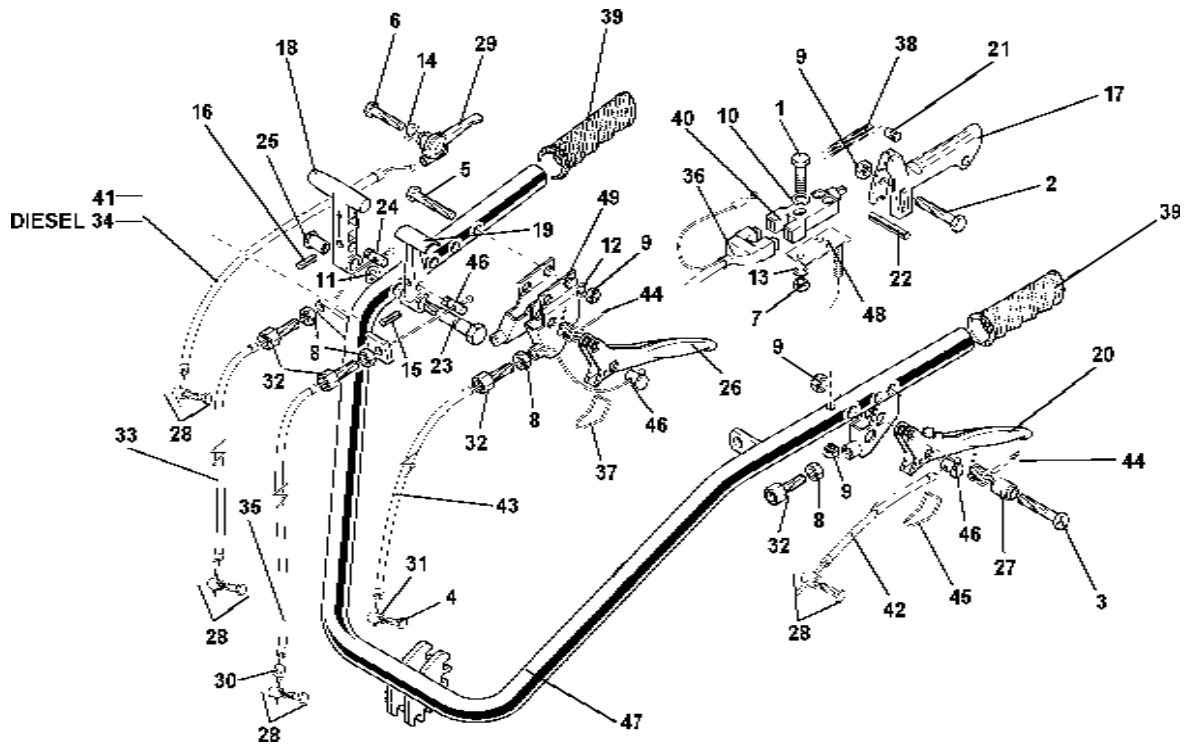
ID	PARTNO	DESCRIPTION	DENOMINACION	NOTES
1	311.11086	SCREW TE M4X25	TORNILLO TE M4X25	
2	311.11097	SCREW TE M6X45	TORNILLO TE M6X45	
3	311.12089	SCREW M6X25	TORNILLO M6X25	
4	311.12090	SCREW TE M6X16	TORNILLO TE M6X16	
5	311.12091	SCREW M6X40	TORNILLO M6X40	
6	311.12154	SCREW TE M8X40	TORNILLO TE M8X40	
7	312.11040	NUT M4	TUERCA M4	
8	312.11080	NUT M8	TUERCA M8	
9	312.41060	NUT, SELF LOCKING M6	TERCA AUTOBLOC. M6	
10	314.11043	FLAT WASHER 4,3	ARANDELA PLANA 4,3	
11	314.11084	WASHER	ARANDELA	
12	314.22064	WASHER, LOCK 6,4	ARANDELA DE RES. 6,4	
13	314.23043	LOCK WASHER B 4,3	ARAND. DE RES. B 4,3	
14	314.23084	WASHER, LOCK 8,4	ARANDELA DE RES. 8,4	
15	342.11040	PIN, LOCKING 4X20	ESPINA DE RES. 4X20	
16	342.13020	PIN, LOCKING M4X20	ESPINA DE RES. M4X20	
17	552.48041	MOTOR STOP LEVER	PALANCA MOTOR STOP	
18	552.48283	REVERSER LEVER	PALANCA MANDO TOMA DE FUERZA	
19	552.48284	LEVER DIFFERENTIAL LOCKING	PALANCA BLOCAJE	
20	561.47655	CLUTCH LEVER	PALANCA	
21	561.47711	SPRING PIN	ESPINA	
22	561.48037	LEVER STOP FOR MOTOR STOP	FIJACION PALANCA MOTOR STOP	
23	561.48285	PIN	PERNO	
24	561.48286	DRILLED PIN	PERNO FORADO	
25	561.48287	DRILLED PIN	PERNO FORADO	
26	561.48470	LEVER	PALANCA	
27	561.50361	LEVER SPACER	SEPARADOR PALANCAS	
28	580.02429	CLAMP, CABLE	PASADOR	
29	580.02538	LEVER, ACCELERATOR	PALANCA MANDO GAS	
30	580.42167	CABLE END	PASADOR	
31	580.42200	PIN, CABLE CLAMP	PERNO ABRAZADERA CABLE	
32	580.42202	SCREW, ADJUSTING M8	TORNILLO REG. M8	
33	580.43216	CABLE, CLUTCH	CABLE Y VAINA	
34	580.43219	THROTTLE CABLE, DIESEL	ALAMBRE Y VAINA GAS, DIESEL	
35	580.43223	CABLE, DIFFERENTIAL LOCK OUT	CABLE Y VAINA	

# 605

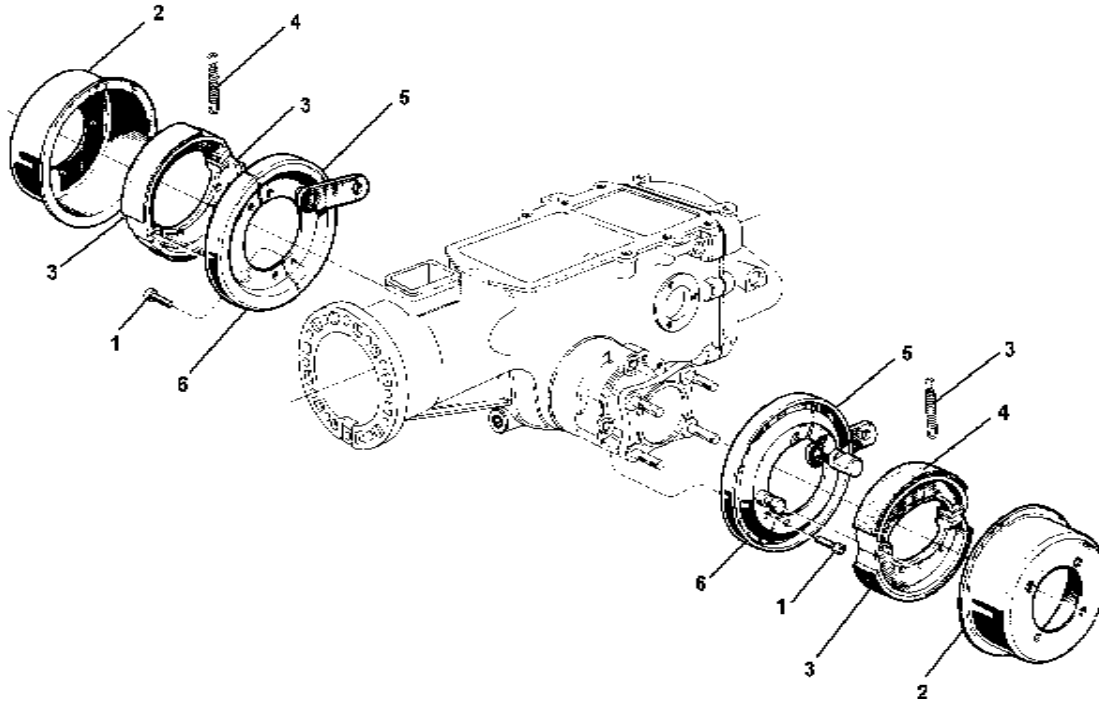
# Handlebar

Serial Number Range  
150644 - -----

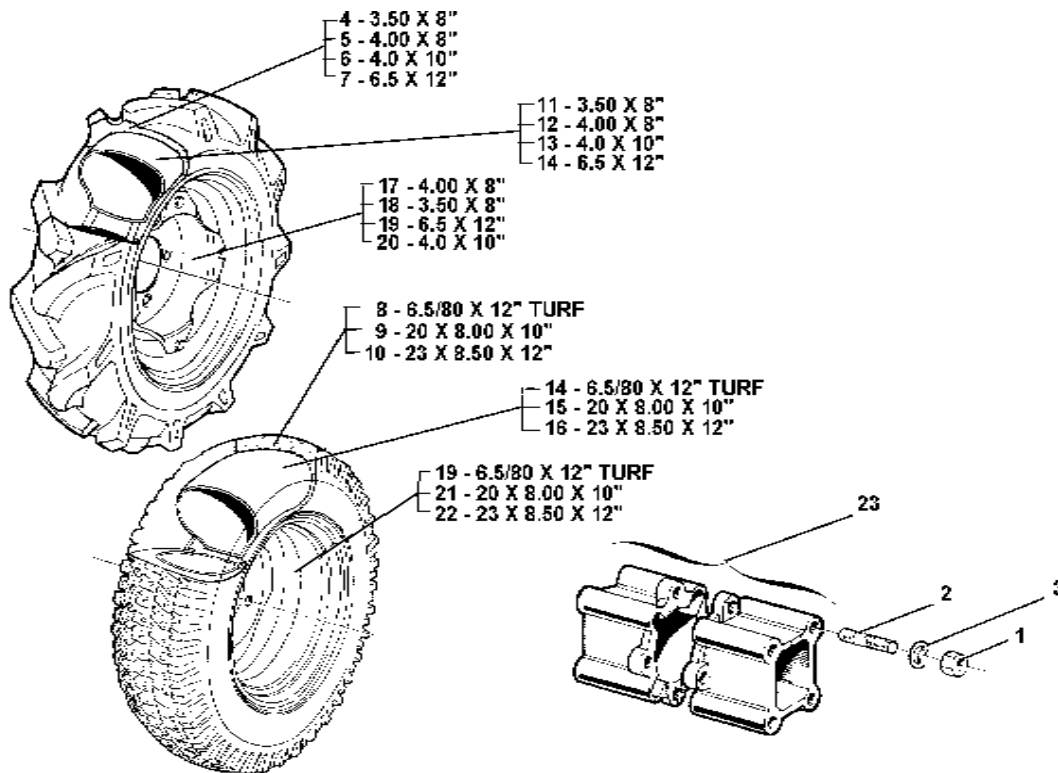
# 09.01



ID	PART NO	DESCRIPTION	DENOMINACION	NOTES
36	580.47568	SWITCH WIRING HARNESS	CABLES INTERRUPTOR	
37	580.47649	HOOK	ENGANCHE	
38	580.47712	SPRING	MUELLE	
39	580.48000	GRIP	MANIVELA	
40	580.48009	STOP SWITCH	INTERRUPTOR STOP	
41	580.48012	THROTTLE CABLE	ALAMBRE Y VAINA GAS	
42	580.49654	CLUTCH CABLE	CABLE VAINA	
43	580.49663	CABLE, CLUTCH	CABLE VAINA	
44	580.50345	LEVER SPRING	PALANCA	
45	580.51670	HOOK	ENGANCHE	
46	581.50313	BARREL	PASADOR	
47	590.47650	HANDLE ASSEMBLY	MANUBRIO	
48	590.47709	SWITCH PLATE	SOPORTE INTERRUPTOR STOP	
49	590.48469	COUPLING FOR DOUBLE LEVER	ATTAQUE PARA PALANCA DOBLE	



ID	PART NO	DESCRIPTION	DENOMINACION	NOTES
1	311.52085	SCREW TE CE M8 X 25	TORNILLO TE CE M8 X 25	
2	561.48218	BRAKE DRUM	TAMBOR FRENO	
3	580.48214	SHOE	ZAPATA	
4	580.48215	SPRING	MUELLE	
5	590.48200	SEMIDISC LEVER	PALANCA SEMIDISCO	
6	590.48208	PIN HALF-DISC	PERNO SEMIDISCO	



ID	PARTNO	DESCRIPTION	DENOMINACION	NOTES
1	312.11100	NUT M10	TUERCA M10	
2	313.12102	STUD M10 X 40 X 22 X 14	PRISIONERO M10 X 40 X 22 X 14	
3	314.23105	WASHER, LOCK 10.5	ARANDELA DE RES. 10.5	
4	391.13502	TIRE 3.50 8 TRAC.	CUBIERTA DE NEUMATICO 3.50 8	
5	391.14008	TIRE TRACTOR 4.00 X 8	CUBIERTA DE NEUMATICO 4.00 X 8	
6	391.14010	TIRE TRACTOR 4.0 X 10	CUBIERTA TM 4.0 X 10	
7	391.16018	TIRE 6.5 X 12	CUBIERTA 6.5 X 12	
8	391.16021	TIRE 6.50/80 X 12	CUBIERTA 6.5/80 X 12	
9	391.18020	TIRE 20 X 8.00 X 10	CUBIERTA 20 X 8.00 X 10	
10	391.18523	TIRE 23 X 8.50 X 12	CUBIERTA 23 X 8.50 X 12	
11	394.13502	TUBE 3.50 8P	CAMARA DE AIRE 3.50 8P	
12	394.14008	TUBE 4.00 X 8	CAMARA 4.00 X 8	
13	394.14010	TUBE 4.0 X 10	CAMARA DE AIRE 4.0 X 10	
14	394.16018	TUBE 6.5 X 12	CAMARA DE AIRE 6.5 X 12	
15	394.18020	TUBE 20 X 8.00 X 10	CAMARA DE AIRE 20 X 8.00 X 10	
16	394.18523	TUBE 23 X 8.50 X 12	CAMARA DE AIRE 23 X 8.50 X 12	
17	580.43250	WHEEL, DISK, 2.50 X 8	RUEDA EN DISCO 2.50 X 8	
18	580.43370	RIM 2.50 X 8 FOR 601	LLANTA 2.50 X 8 PARA 601	
19	580.44804	RIM 5JA - 12 INCH. ADJ. TRACK	LLANTA 5JA - 12"	
20	580.48330	RIM 3.50 D 10 (INCH) C.VAR.COM.	LLANTA 3.50 D 10"	
21	580.48331	RIM 6.00 1 - 10"	LLANTA 6.00 1 - 10"	
22	580.49795	RIM 7.00 J - 12"	LLANTA 7.00 J - 12"	
23	922.43685	WHEEL SPACERS, 2.5" (PR)	SEPARADOR RUEDA, 2.5" (PR)	