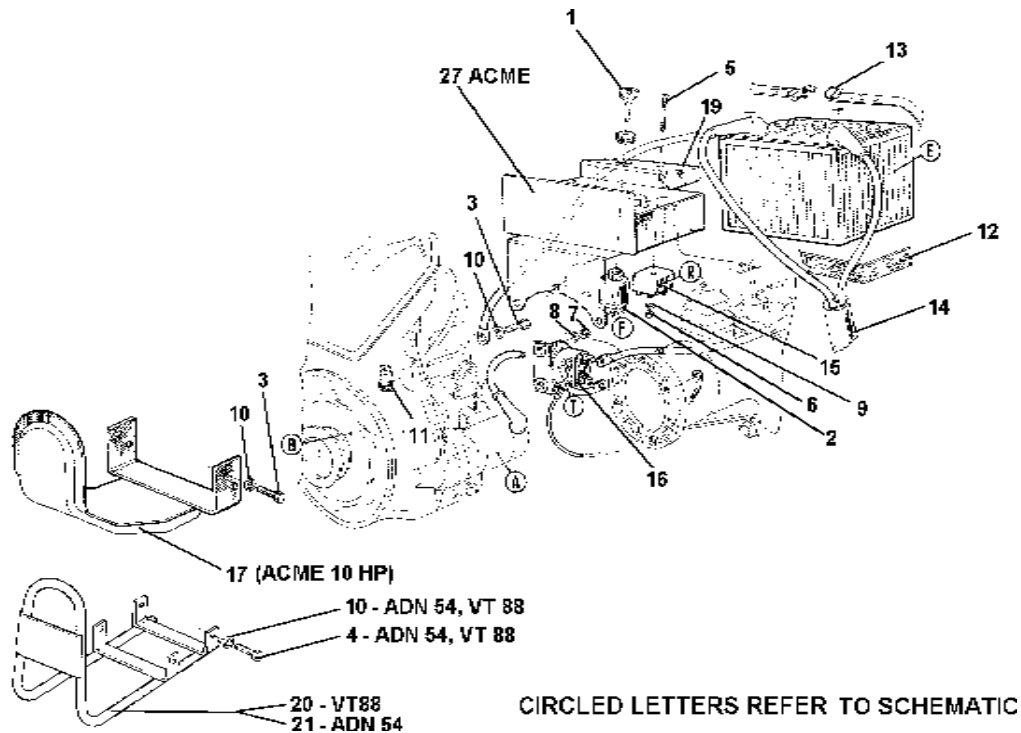




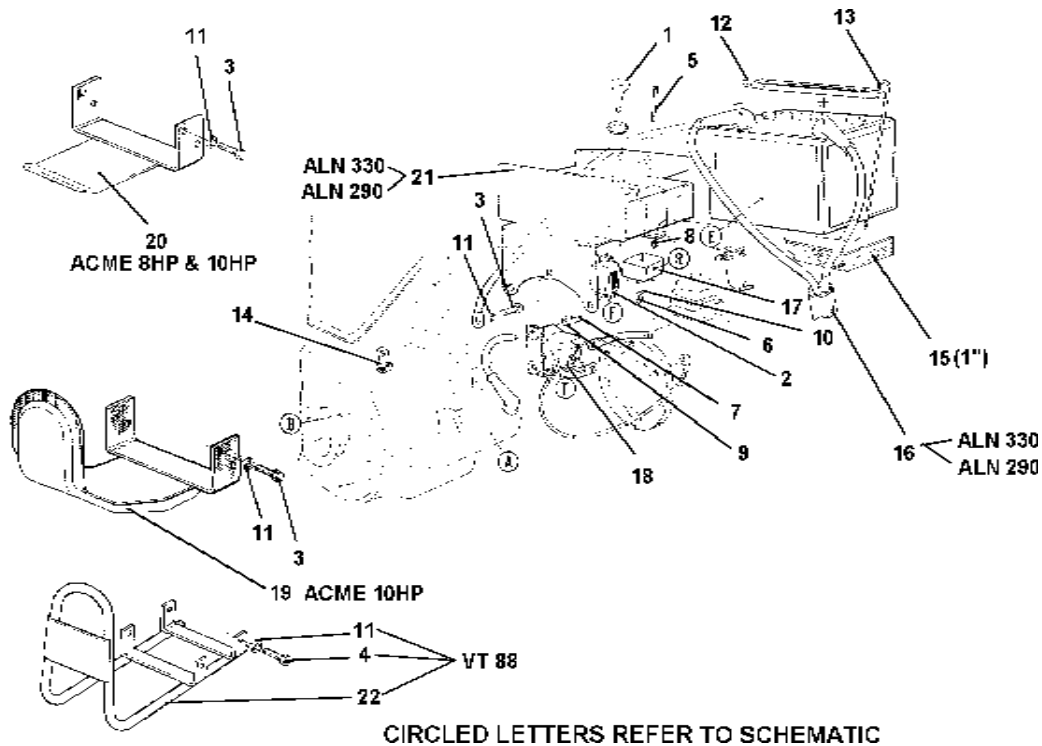
---

A M E R I C A

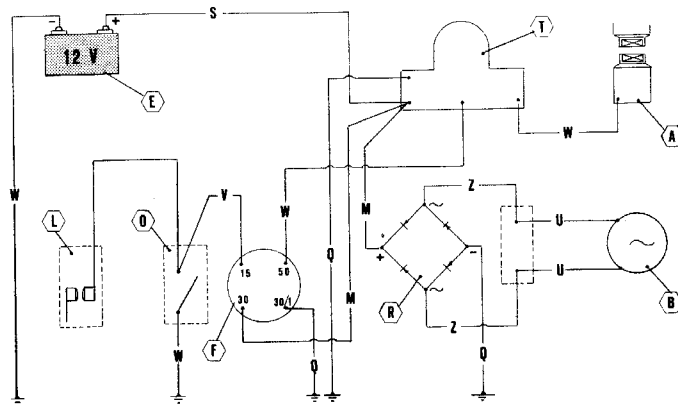
---



ID	PARTNO	DESCRIPTION	DENOMINACION	NOTES
1	300.00276	KEY	LLAVE	
2	300.00277	SWITCH	INTERRUPTOR	
3	311.11151	SCREW M8 X 16	TORNILLO M8 X 16	
4	311.12150	SCREW M8 X 20	TORNILLO M8 X 20	
5	311.61043	SCREW TC M4 X 30 UNI 6107	TORNILLO TC M4 X 30 UNI 6107	
6	312.11040	NUT M4	TUERCA M4	
7	312.11060	NUT M6	TUERCA M6	
8	314.11064	WASHER, FLAT 6.4	ARANDELA PLANA 6.4	
9	314.23043	LOCK WASHER B 4.3	ARANDELA DE RES. B 4.3	
10	314.23084	WASHER, LOCK 8.4	ARANDELA DE RES. 8.4	
11	580.42233	SUPPORT, ACCELERATOR CABLE	MORDAZA CABLE GAS	
12	580.43031	SHOCK-PROOF RUBBER	CAUCHO ANTI-COLPES	
13	580.43033	BATTERY STRAP	BANDA GOMA CON GANCIOS	
14	580.43034	ELEC. START CABLES MC 715	CABLEADO ARRANQUE ELECT MC 715	
15	580.43036	RECTIFIER	ENDEREZADOR	
16	580.47926	CHOKE DECAL	AUTOADHESIVO "CHOKE"	
17	581.00052	BOSCH RELAY 0332002160	RELAIS BOSCH	
18	590.43773	GUARD, MOWER MOTOR PULLEY	DEFENSA POLEA MOT. X MOTOSED	
19	590.47708	BATTERY SUPPORT 10HP ACME	SOPORTE BATERIA 10 HP ACME	
20	590.48042	SUPPORT BATTERY	SOPORTE BATERIA	
21	590.49750	PULLEY GUARD	PROTECCION POLEA	



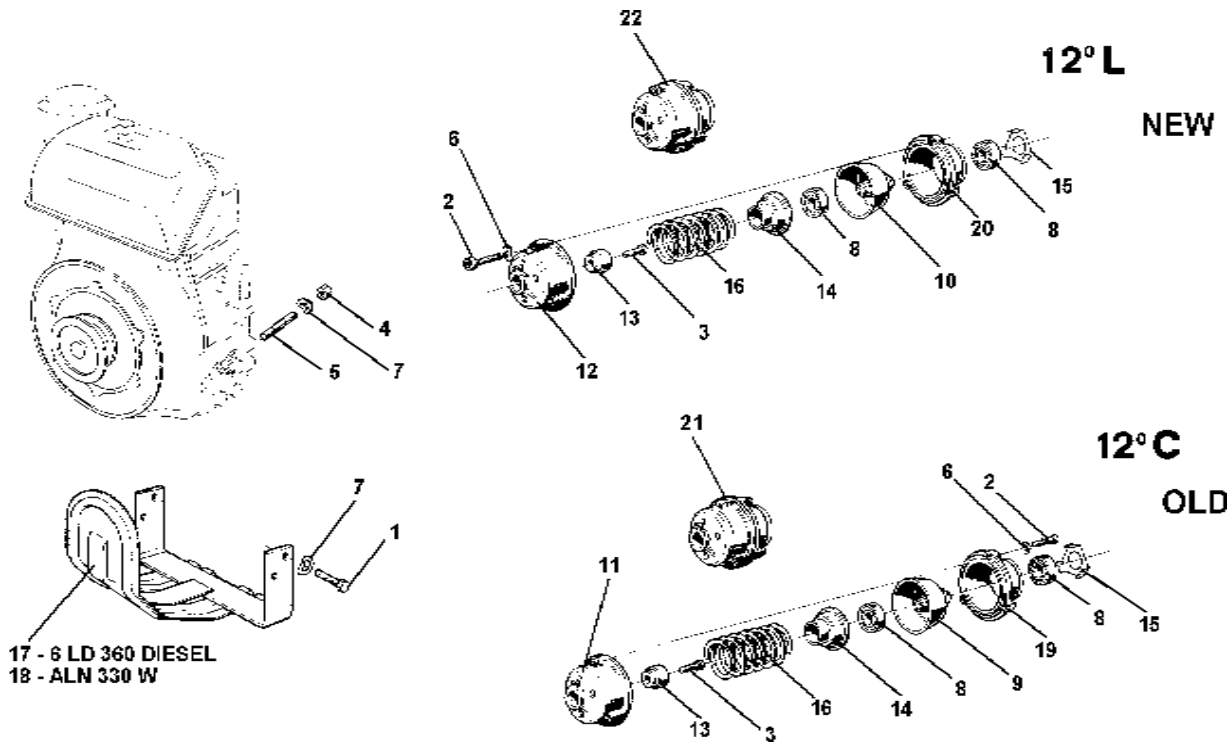
ID	PARTNO	DESCRIPTION	DENOMINACION	NOTES
1	300.00276	KEY	LLAVE	
2	300.00277	SWITCH	INTERRUPTOR	
3	311.11151	SCREW M8 X 16	TORNILLO M8 X 16	
4	311.12150	SCREW M8 X 20	TORNILLO M8 X 20	
5	311.61043	SCREW TC M4 X 30 UNI 6107	TORNILLO TC M4 X 30 UNI 6107	
6	312.11040	NUT M4	TUERCA M4	
7	312.11060	NUT M6	TUERCA M6	
8	312.41060	NUT, SELF LOCKING M6	TUERCA AUTOBLOC. M6	
9	314.11064	WASHER, FLAT 6.4	ARANDELA PLANA 6.4	
10	314.23043	LOCK WASHER B 4.3	ARANDELA DE RES. B 4.3	
11	314.23084	WASHER, LOCK 8.4	ARANDELA DE RES. 8.4	
12	561.19937	BATTERY BRACKET	SOPORTE PARA BATERIA	
13	561.49590	BATTERY TIEROD	TIRANTE PARA BATERIA	
14	580.42233	SUPPORT, ACCELERATOR CABLE	MORDAZA CABLE GAS	
15	580.43031	SHOCK-PROOF RUBBER	CAUCHO ANTI-COLPES	
16	580.43034	ELEC. START CABLES MC 715	CABLEADO ARRANQUE ELECT MC 715	
17	580.43036	RECTIFIER	ENDEREZADOR	
18	581.00052	BOSCH RELAY 0332002160	RELAIS BOSCH	
19	590.43773	GUARD, MOWER MOTOR PULLEY	DEFENSA POLEA MOT. X MOTOSD	
20	590.47450	ENGINE GUARD	PROTECCION MOTOR	
21	590.48042	SUPPORT BATTERY	SOPORTE BATERIA	
22	590.49750	PULLEY GUARD	PROTECCION POLEA	



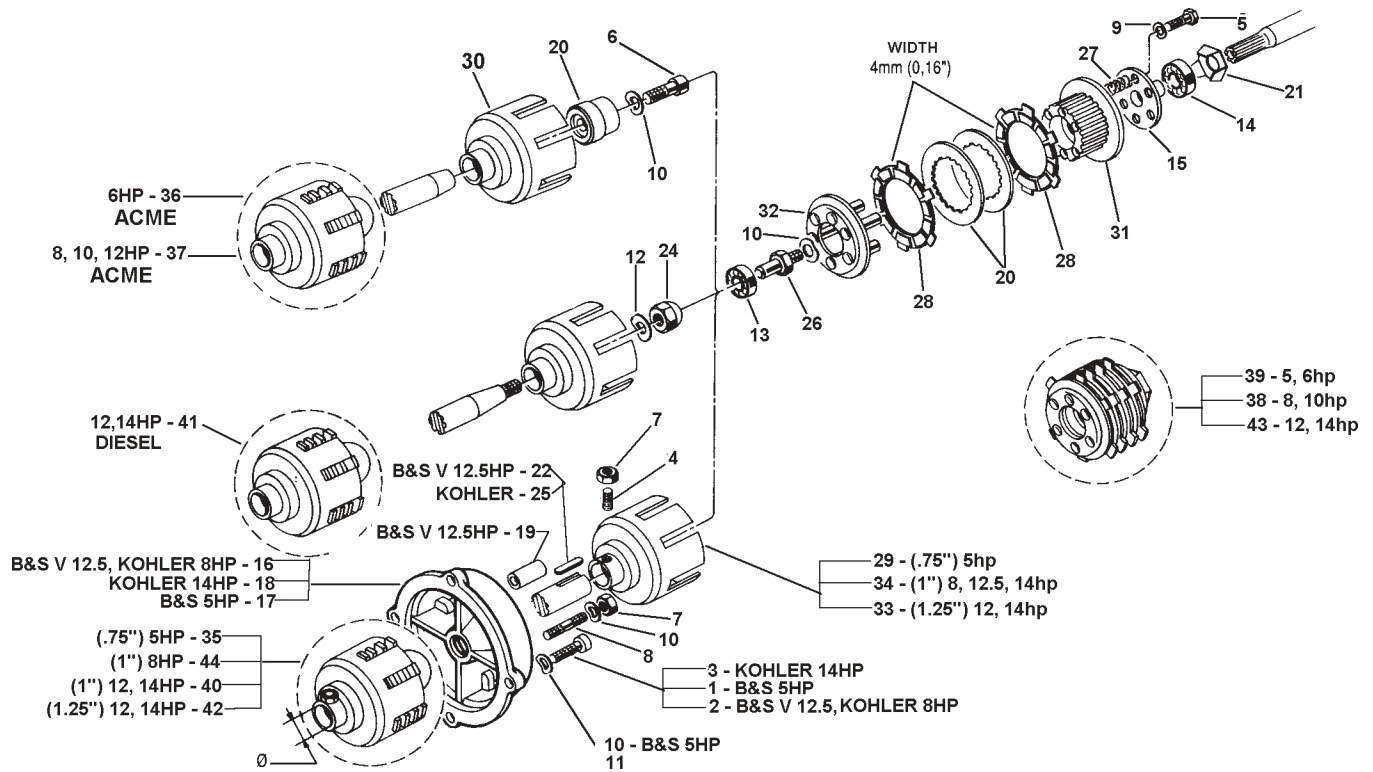
## ELECTRIC STARTER ALN 290—ALN 330 W—AT 330

- |                                     |                            |
|-------------------------------------|----------------------------|
| A: STARTER - MOT. DE ARRANQUE       | R: RECTIFIER - ENDEREZADOR |
| B: GENERATOR - GENERADOR            | M: RED - ROJO              |
| E: BATTERY - BATERIA                | S: BLUE - AZUL             |
| F: SWITCH - INTERRUPTOR             | U: YELLOW - AMARILLO       |
| L: POINTS - PLATINOS                | V: WHITE - BLANCO          |
| O: MOTOR STOP - MOTOR STOP          | Z: BROWN - CASTANO         |
| Q: YELLOW GREEN - AMARILLO VERDE    | W: BLACK - NEGRO           |
| T: REMOTE CONTR SWITCH - TELERUPTOR |                            |

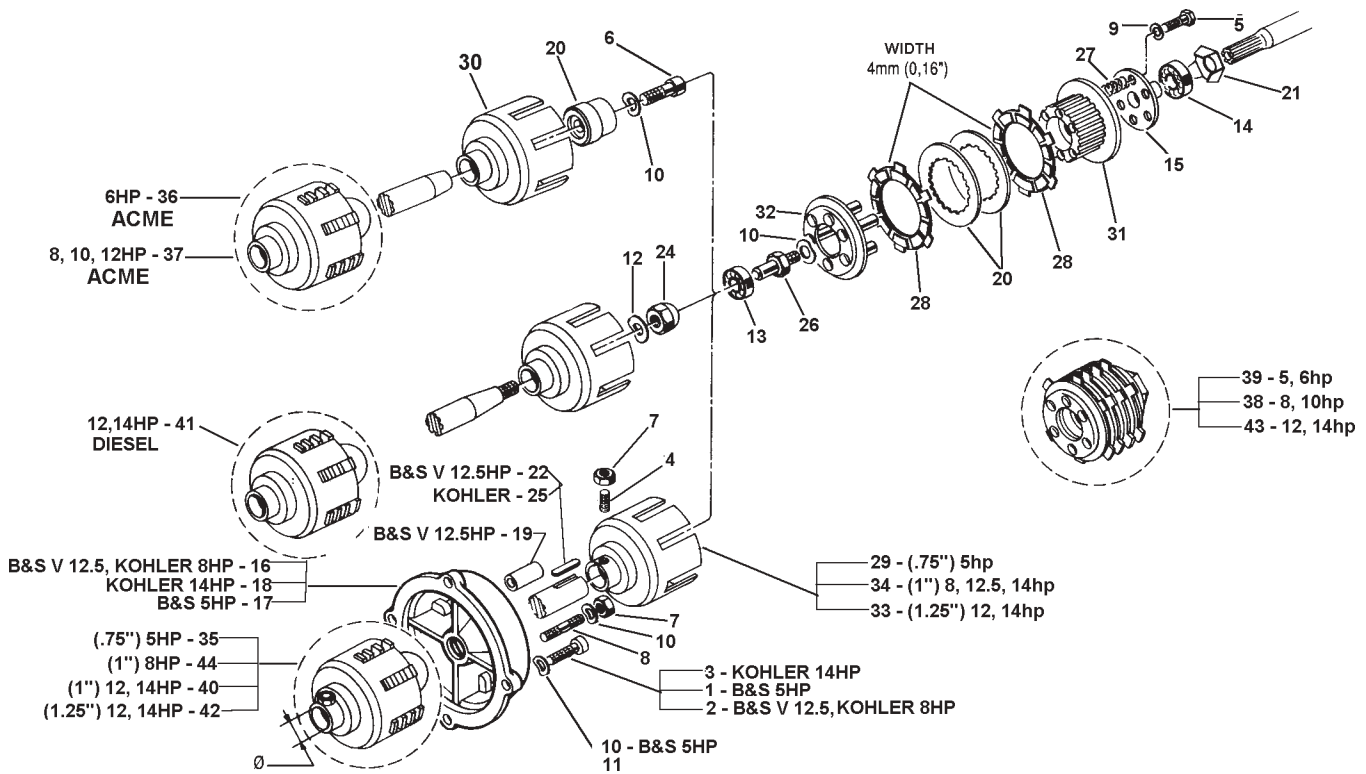
ID	PART NO	DESCRIPTION	DENOMINACION	NOTES



ID	PARTNO	DESCRIPTION	DENOMINACION	NOTES
1	311.11151	SCREW M8 X 16	TORNILLO M8 X 16	THIS PARTS ILLUSTRATION COVERS BOTH STYLES OF THE ORIGINAL CONE CLUTCH.
2	311.52059	SCREW M6 X 35	TORNILLO M6 X 35	
3	311.52085	SCREW TE CE M8 X 25	TORNILLO TE CE M8 X 25	THE 12° C CONE CLUTCH IS THE OLDER STYLE. IT CAN BE IDENTIFIED BY THE THREE BOLTS HOLDING THE CLUTCH TOGETHER (ITEM #2). THESE BOLTS ARE POINTED TOWARDS THE ENGINE.
4	312.11080	NUT M8	TUERCA M8	
5	313.12088	STUD M8 X 40 X 14 X 14	PRISIONERO M8 X 40 X 14 X 14	THE 12° L CONE CLUTCH IS THE NEWER STYLE. IT CAN BE IDENTIFIED BY THE THREE BOLTS HOLDING THE CLUTCH TOGETHER (ITEM #2). THESE BOLTS ARE POINTED AWAY FROM THE ENGINE.
6	314.22064	WASHER, LOCK 6.4	ARANDELA DE RES. 6.4	
7	314.23084	WASHER, LOCK 8.4	ARANDELA DE RES. 8.4	
8	371.12171	BEARING 17 X 40 X 12 6203 2RS	COJINETE 17 X 40 X 12 6203 2RS	
9	521.48095	CONE, CLUTCH	CONO EMBRAGUE	
10	521.48105	LONG CLUTCH CONE	CONO EMBRAGUE LARGO	
11	531.43108	BELL, CLUTCH SPRING AL 290	CAMPANA MUELLE EMBR. AL 290	
12	531.48107	LONG CLUTCH BELL	CAMPANA EMBRAGUE	
13	561.43121	CENTERING	PASTILLA CENTR.	
14	561.43122	BUSH, SPRING HOLDER	CASQUILLO SOP. MUELLE	
15	563.43106	BEARING PLATE	CHAPA SOBRE COJINETE	
16	580.43110	SPRING CLUTCH	MUELLE EMBRAGUE	
17	590.43046	MOTOR HOOD LDA 520 MF 715 C	PROT. MOTOR LDA 520 MF 715 C	
18	590.43773	GUARD, MOWER MOTOR PULLEY	DEFENSE POLEA MOT. X MOTOSD	
19	590.48092	CLUTCH RING	ANILLO EMBRAGUE	
20	590.48102	LONG CLUTCH RING	ANILLO EMBRAGUE	
21	592.48090	REPLACED BY ITEM 22 CLUTCH	EMBRAGUE NUMERO 22	
22	592.48106	FITTED LONG CLUTCH	EMBRAGUE LUNGO MONTADO	



ID	PARTNO	DESCRIPTION	DENOMINACION	NOTES
1	311.00003	SCREW 5/16 X 7/8	TORNILLO TE 5/16 X 7/8 UNF 2A AC	
2	311.00015	SCREW 3/8 X 1	TORNILLO 3/8 X 1	
3	311.00024	SCREW	TORNILLO	
4	311.00781	SCREW M8 X 14	TORNILLO M8 X 14	
5	311.12051	SCREW	TORNILLO	
6	311.52085	SCREW M8 X 25	TORNILLO M8 X 25	
7	312.11080	NUT M8	TUERCA M8	
8	313.12088	STUD M8 X 40 X 14 X 14	PRISIONERO M8 X 40 X 14 X 14	
9	314.21062	SUPER WASHER	ARANDELA SUPER	
10	314.23084	WASHER, LOCK 8.4	ARANDELA DE RES. 8.4	
11	314.23105	WASHER, LOCK 10.5	ARANDELA DE RES. 10.5	
12	314.23170	WASHER, LOCK 17	ARANDELA DE RES. 17	
13	371.12099	BEARING	COJINETE	
14	371.12171	BEARING 17 X 40 X 12	COJINETE 17 X 40 X 12	
15	523.49818	CLUTCH FLANGE	CAMPANA EMBRAGUE	
16	531.49819	FLANGE FOR KOHLER ENGINE 8HP	BRIDA PARA MOTOR KOHLER 8HP	
17	532.47468	FLANGE FOR 5HP B&S	BRIDA PARA MOTOR B&S 5HP	
18	532.49783	FLANGE FOR KOHLER ENGINE 14HP	BRIDA PARA MOTOR KOHLER 14HP	
19	561.47456	TWIN SPACER B&S	SEPARADOR B&S	
20	561.49820	INSIDE CLUTCH DISC	DISCO INTERIOR EMBRAGUE	
21	563.43106	BEARING PLATE	CHAPA SOBRE COJINETE	
22	563.47458	KEY B&S 12.5HP	LINGUETA PARA B&S 12.5HP	
23	563.47472	BEARING HOLDER BUSHING	CASQUILLO PORTA-COJINETE	
24	563.49562	SPECIAL NUT	TUERCA ESPECIAL	
25	563.49782	KEY	LINGUETA	
26	563.49816	SCREW 9 X 1	TORNILLO 9 X 1	
27	580.49815	DISC CLUTCH SPRING	MUELLE PARA EMBRAGUE A DISCO	
28	580.49821	OUTSIDE DISC	DISCO EXT.	
29	590.47466	CLUTCH BELL	CAMPANA EMBRAGUE	
30	590.49803	CLUTCH BELL	CAMPANA EMBRAGUE	
31	590.49807	CLUTCH HUB	CUBO EMBRAGUE	
32	590.49810	CLUTCH BOTTOM	CASQUILLO EMBRAGUE	
33	590.49813	KOHLER CLUTCH BELL	CAMPANA EMBRAGUE KOHLER	
34	590.49823	CLUTCH BELL	CAMPANA EMBRAGUE	
35	592.47465	DISC CLUTCH ASSEMBLY	EMBRAGUE A DISCO	



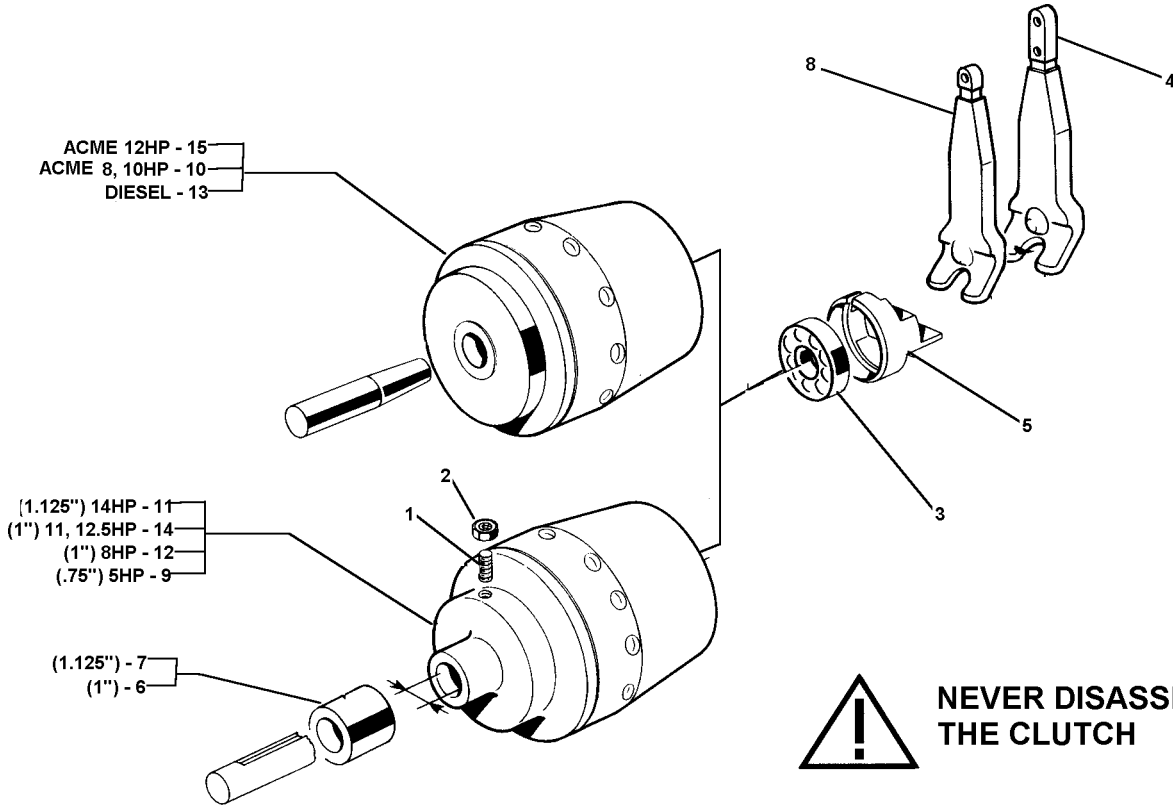
ID	PARTNO	DESCRIPTION	DENOMINACION	NOTES
36	592.47469	DISC CLUTCH ASSEMBLY		36- REPLACED BY 592.47884
37	592.47470	DISC CLUTCH ASSEMBLY	EMBRAGUE A DISCO	
38	592.47471	DISC ASSEMBLY	DISCO EMBRAGUE	
39	592.47475	DISC ASSEMBLY	DISCO EMBRAGUE	
40	592.47478	DISC CLUTCH ASSEMBLY	EMBRAGUE A DISCO	
41	592.49800	DISC CLUTCH ASSEMBLY		41- REPLACED BY 592.47924
42	592.49801	DISC CLUTCH ASSEMBLY		42- REPLACED BY 592.47906
43	592.49802	DISC ASSEMBLY	DISCO EMBRAGUE	
44	592.49809	DISC CLUTCH ASSEMBLY		43- REPLACED BY 592.47907

# 604

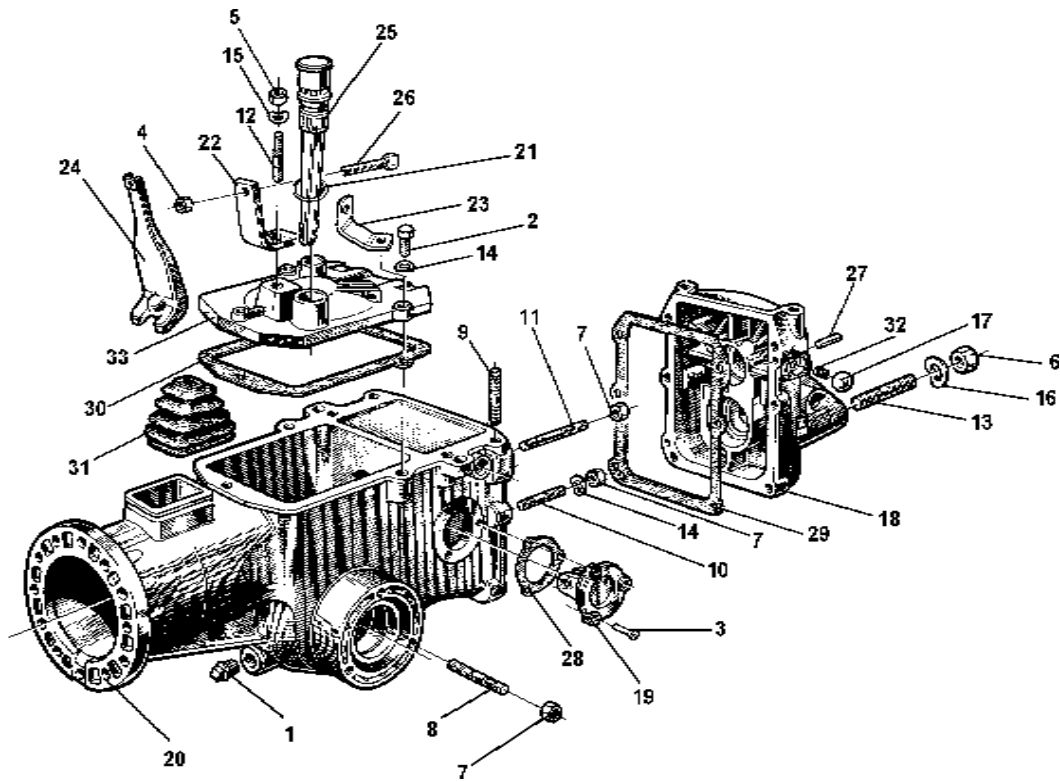
## H.D. Cone Clutch

Serial Number Range  
Used As A Replacement Part

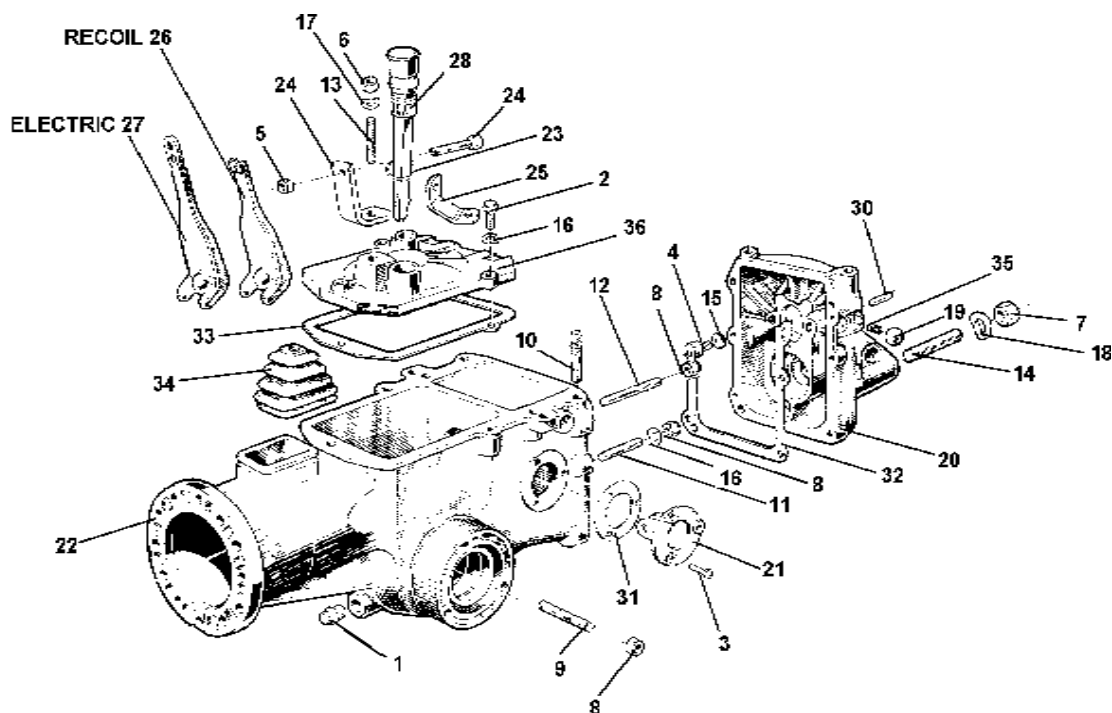
# 05.00



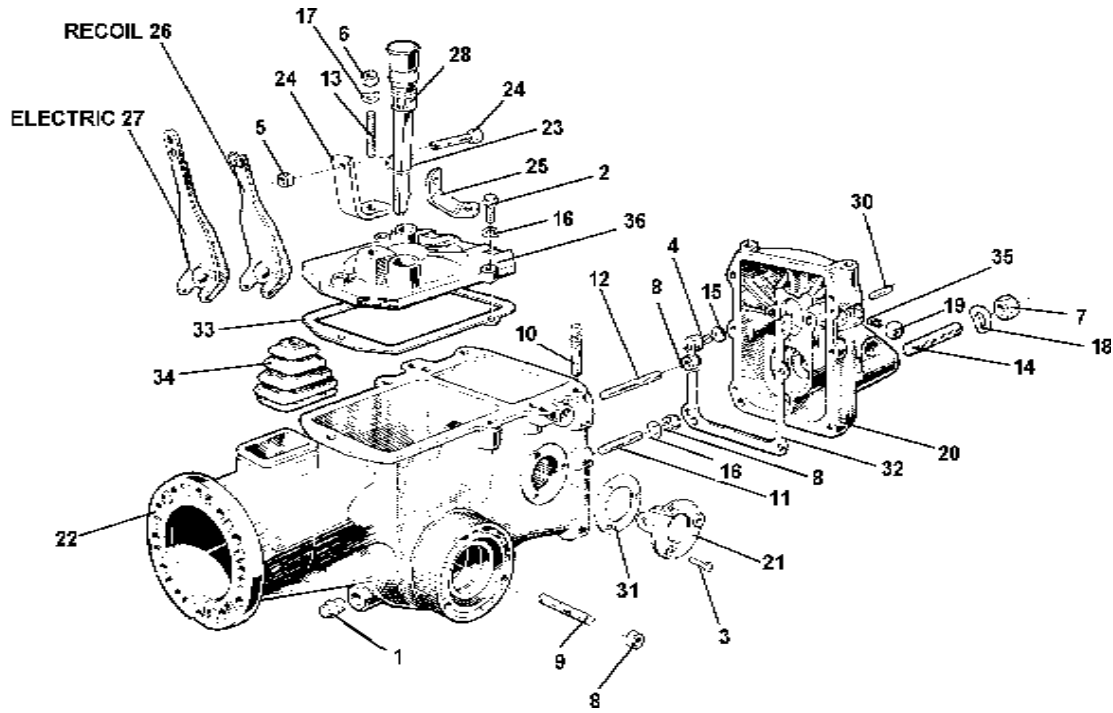
ID	PARTNO	DESCRIPTION	DENOMINACION	NOTES
1	311.00786	SET SCREW M8 X 30	TORNILLO M8 X 30 UNI 5923	ANY HEAVY DUTY CLUTCH WILL WORK ON ALL PREVIOUS MODELS.
2	312.11080	NUT M8	TUERCA M8	
3	371.12173	BEARING 17 X 40 X 12	COJINETE 17 X 40 X 12	
4	522.47874	CLUTCH LEVER - RECOIL START	PALANCA EMBRAGUE	
5	524.47896	CONE PUSHER	EMPUJADOR CONO	
6	561.47480	SPACER 12.5HP VANGARD	SEPARADOR 12.5HP VANGARD	
7	561.47849	SPACER	SEPARADOR	
8	562.47899	CLUTCH LEVER - ELECTRIC START	PALANCA EMBRAGUE	
9	592.43150	HEAVY DUTY CLUTCH	EMBRAGUE A CONICO	
10	592.47884	HEAVY DUTY CLUTCH	EMBRAGUE A CONICO	
11	592.47906	HEAVY DUTY CLUTCH	EMBRAGUE A CONICO	
12	592.47907	HEAVY DUTY CLUTCH	EMBRAGUE A CONICO	
13	592.47924	HEAVY DUTY CLUTCH	EMBRAGUE A CONICO	
14	592.47970	HEAVY DUTY CLUTCH	EMBRAGUE A CONICO	
15	592.47971	HEAVY DUTY CLUTCH	EMBRAGUE A CONICO	



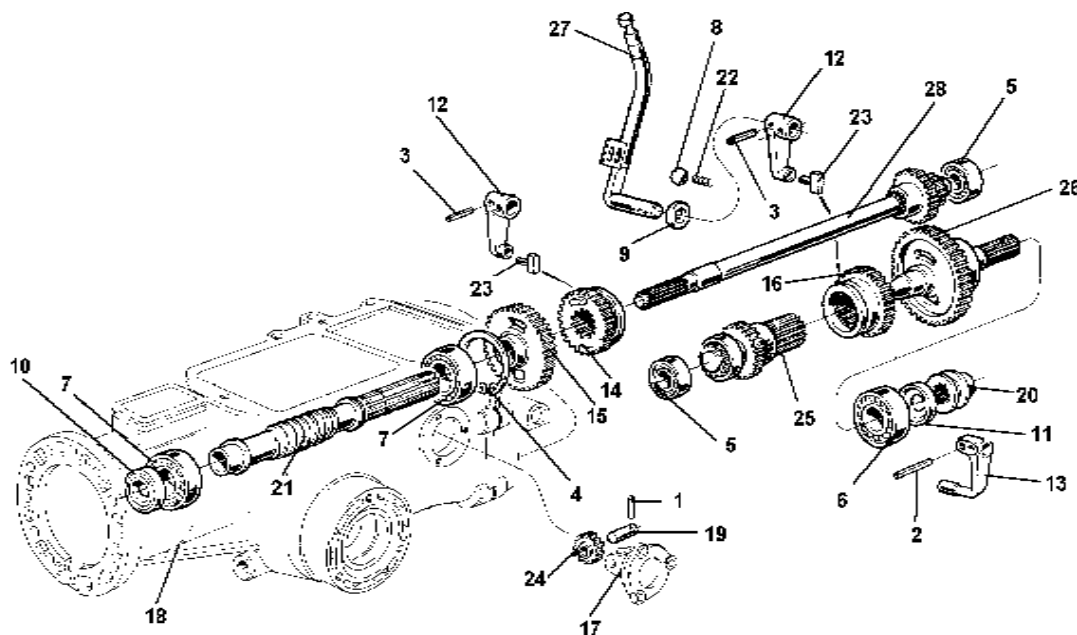
ID	PARTNO	DESCRIPTION	DENOMINACION	NOTES
1	300.40001	PLUG 1/4 GAS	TAPON 1/4 GAS	
2	311.12152	SCREW TE M8 X 30	TORNILLO TE M8 X 30	
3	311.31061	SCREW TSV M6 X 16 UNI 260-5S	TORNILLO TSV M6 X 16 UNI 260-5S	
4	312.11080	NUT M8	TUERCA M8	
5	312.11100	NUT M10	TUERCA M10	
6	312.21121	NUT M12 X 1.25 UNI 5587 6S	TUERCA M12 X 1.25 UNI 5587 6S	
7	312.41080	NUT, SELF LOCKING M8	TUERCA AUTOBLOC. M8	
8	313.12080	STUD M8 X 46 X 20 X 12	PRISIONERO M8 X 46 X 20 X 12	
9	313.12082	STUD M8 X 38 X 14 X 20	PRISIONERO M8 X 38 X 14 X 20	
10	313.12083	STUD M8 X 46 X 16 X 16	PRISIONERO M8 X 46 X 16 X 16	
11	313.12084	STUD M8 X 58 X 16 X 16	PRISIONERO M8 X 58 X 16 X 16	
12	313.12101	STUD M10 X 37 X 19 X 15 8G	PRISIONERO M10 X 37 X 19 X 15 8G	
13	313.12124	ST.56XM12X1.25X26XM12X22 8G	PRIS.56XM12X1.25X26XM12X22 8G	
14	314.23084	WASHER, LOCK 8.4	ARANDELA DE RES. 8.4	
15	314.23105	WASHER, LOCK 10.5	ARANDELA DE RES. 10.5	
16	314.23130	WASHER, LOCK 13	ARANDELA DE RES. 13	
17	379.11532	BALL 15/32 RIV RB-11.906	BOLA 15/32 RIV RB-11.906	
18	531.43056	HOUSING COVER	TAPA COVER	
19	531.43068	FLANGE, REVERSE SPEED	BRIDA MARCHA ATRAS	
20	531.48055	CASING 5 SPEEDS GEARBOX	CAJA 5 MARCHAS	
21	551.02678	RUBBER RING	ANILLO GOMA	
22	561.43878	BRACKET CLUTCH CONTRAST	SOPORTE CONTRASTE	
23	561.43883	CONTRAST DIFFERENTIAL SHEATH	CONTRASTE VAINA DIFERENT.	
24	562.43100	CLUTCH LEVER	PALANCA EMBRAGUE	
25	580.02666	CAP, WITH MEASURING ROD	VARILLA NIVEL ACEITE CON TAPON	
26	580.42202	SCREW, ADJUSTING M8	TORNILLO REGULACION M8	
27	580.43053	PARALLEL PIN D 6 X 20	ESPIÑA CIL. D 6 X 20	
28	580.43069	GASKET	GUARNICION	
29	580.43094	GASKET, COVER	TAPA GUARNICION	
30	580.43117	GASKET, COVER	TAPA GUARNICION	
31	580.43129	BELLOWS	FUELLE	
32	580.43176	SPRING	MUELLE	
33	590.43876	COVER DIFFERENTIAL	TAPA DIFERENTIAL	



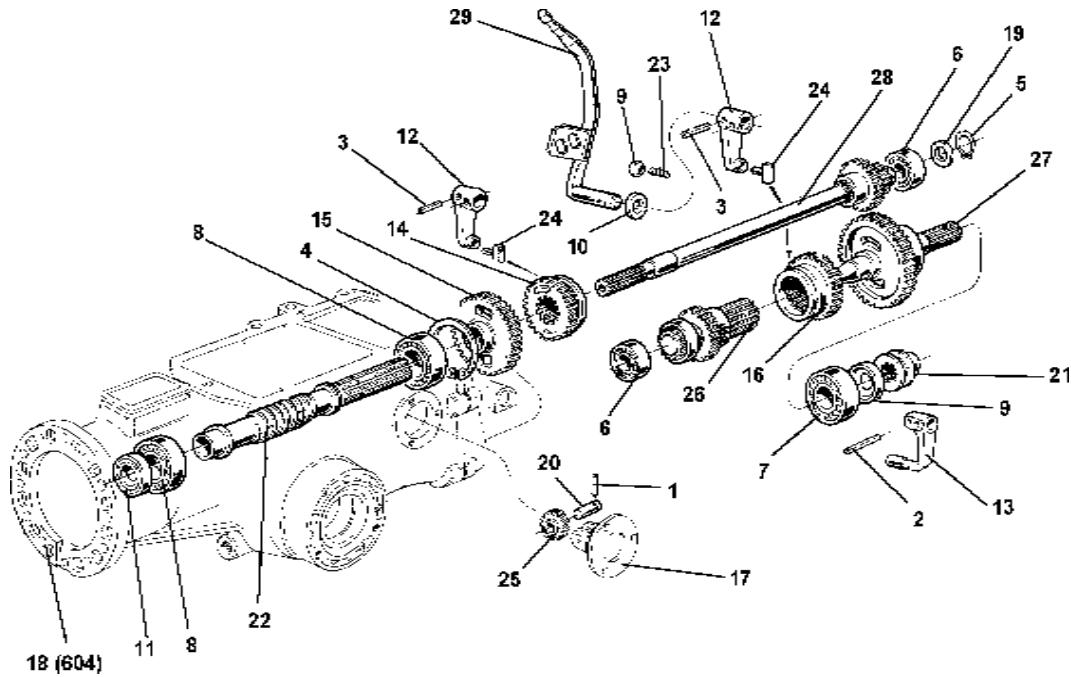
ID	PARTNO	DESCRIPTION	DENOMINACION	NOTES
1	300.40001	PLUG 1/4 GAS	TAPON 1/4 GAS	
2	311.12152	SCREW TE M8 X 30	TORNILLO TE M8 X 30	
3	311.32562	SCREW M6 X 16	TORNILLO M6 X 16	
4	311.52079	SCREW TCCEI M8 X 12	TORNILLO TCCEI M8 X 12	
5	312.11080	NUT M8	TUERCA M8	
6	312.11100	NUT M10	TUERCA M10	
7	312.21121	NUT M12 X 1.25 UNI 5587 6S	TUERCA M12 X 1.25 UNI 5587 6S	
8	312.41080	NUT, SELF LOCKING M8	TUERCA AUTOBLOC. M8	
9	313.12080	STUD M8 X 46 X 20 X 12	PRISIONERO M8 X 46 X 20 X 12	
10	313.12082	STUD M8 X 38 X 14 X 20	PRISIONERO M8 X 38 X 14 X 20	
11	313.12083	STUD M8 X 46 X 16 X 16	PRISIONERO M8 X 46 X 16 X 16	
12	313.12084	STUD M8 X 58 X 16 X 16	PRISIONERO M8 X 58 X 16 X 16	
13	313.12101	STUD M10 X 37 X 19 X 15 8G	PRISIONERO M10 X 37 X 19 X 15 8G	
14	313.12124	ST.56X1.25X26XM12X22 8G	PRIS.56X1.25X26XM12X22 8G	
15	314.21083	SUPER WASHER 8 DIN 6796	ARANDELA SUPER 8 DIN 6796	
16	314.23084	WASHER, LOCK 8.4	ARANDELA DE RES. 8.4	
17	314.23105	WASHER, LOCK 10.5	ARANDELA DE RES. 10.5	
18	314.23130	WASHER, LOCK 13	ARANDELA DE RES. 13	
19	379.11532	BALL 15/32 RIV RB-11.906	BOLA 15/32 RIV RB-11.906	
20	531.43056	HOUSING COVER	TAPA CARTER	
21	531.43068	FLANGE, REVERSE SPEED	BRIDA MARCHA ATRAS	
22	531.48055	CASING 5 SPEEDS GEARBOX	CAJA 5 MARCHAS	
23	551.02678	RUBBER RING	ANILLO GOMA	
24	561.43878	BRACKET CLUTCH CONTRAST	SOPORTE CONTRASTE	
25	561.43883	CONTRAST DIFFERENTIAL SHEATH	CONTRASTE VAINA DIFERENTIAL	
26	562.43100	CLUTCH LEVER	PALANCA EMBRAGUE	
27	562.43113	CLUTCH LEVER	PALANCA EMBRAGUE	
28	580.02666	CAP, WITH MEASURING ROD	VARILLA NIVEL ACEITE CON TAPON	
29	580.42202	SCREW, ADJUSTING M8	TORNILLO REGULACION M8	
30	580.43053	PARALLEL PIN D 6 X 20	ESPINA CIL. D 6 X 20	
31	580.43069	GASKET	GUARNICION	
32	580.43094	GASKET COVER	TAPA GUARNICION	
33	580.43117	GASKET, COVER	TAPA GUARNICION	
34	580.43129	BELLOWS	FUELLE	
35	580.48369	P.T.O. SPRING	MUELLE TOMA DE FUERZA	



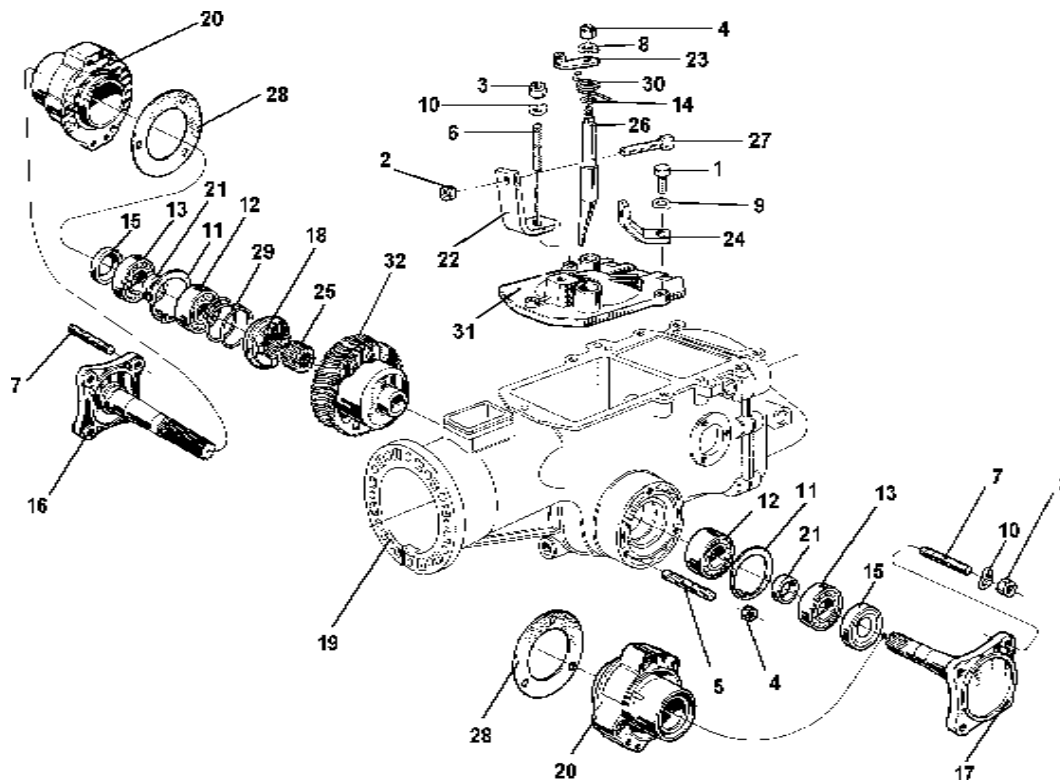
ID	PART NO	DESCRIPTION	DENOMINACION	NOTES
36	590.43876	COVER DIFFERENTIAL	TAPA DIFERENTIAL	



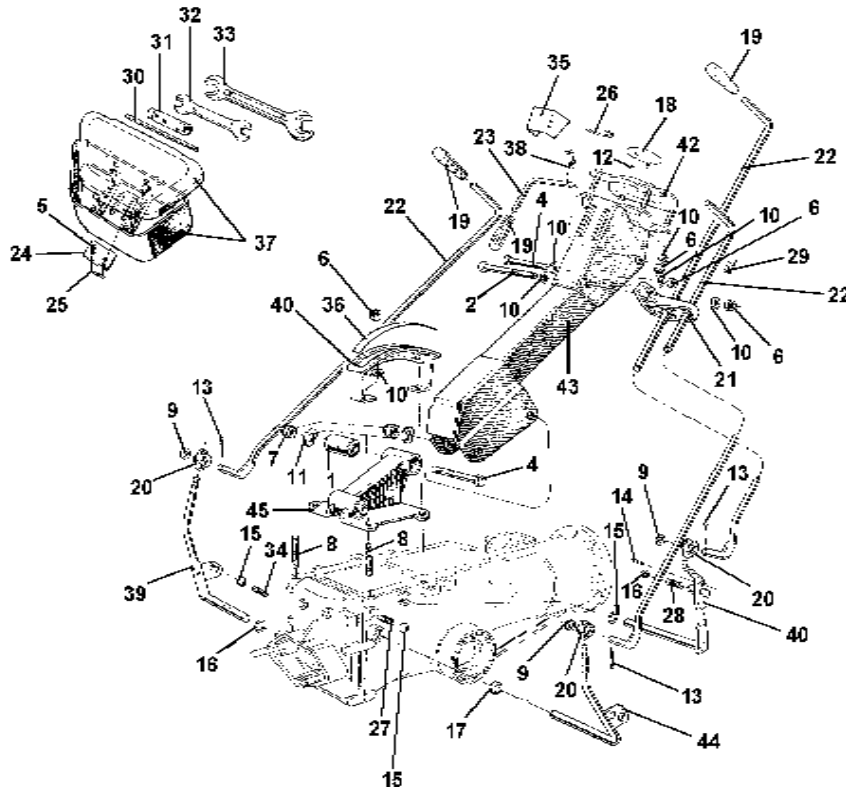
ID	PARTNO	DESCRIPTION	DENOMINACION	NOTES
1	342.11025	PIN, LOCKING 2.5 X 22 DIN 1481	ESPINA DE RES. 2.5 X 22 DIN 1481	
2	342.13020	LOCKING PIN 4 X 20 SPIRAL	ESPINA DE RES. 4 X 20 ESPIRAL	
3	342.13024	LOCKING PIN 4 X 24 SPIRAL	ESPINA DE RES. 4 X 24 ESPIRAL	
4	351.11052	CIRCLIP, INTERN D 52	SEEGER INT. D 52	
5	371.11151	BEARING 15 X 35 X 11 6202	COJINETE 15 X 35 X 11 6202	
6	371.11201	BEARING 20 X 47 X 14 6204	COJINETE 20 X 47 X 14 6204	
7	371.11255	BEARING 25 X 52 X 15 6205	COJINETE 25 X 52 X 15 6205	
8	379.11532	BALL 15/32 RIV RB-11.906	BOLA 15/32 RIV RB-11.906	
9	382.11201	SEAL, OIL 12 X 19 X 5 STANDARD	CHAPA RET. AC. 12 X 19 X 5 NORM.	
10	382.11501	SEAL, OIL 15 X 40 X 10 STANDARD	CHAPA RET. AC. 15 X 40 X 10 NORM.	
11	382.12001	SEAL, OIL 20 X 35 X 7 STANDARD	CHAPA RET. AC 20 X 35 X 7 NORM.	
12	521.43171	LEVER, SPEED CHG SLDG GR	PALANCA ENGR. DESLIZABLE MAR.	
13	523.43168	SLIDE ELVER	PALANCA CURSOR	
14	524.48060	SLIDER SPEEDS	MANDO DESP. MARCHAS	
15	524.48078	WHEELS FIRST SPEED	BARRA I VELOCIDAD	
16	524.48523	SLIDER, REDUCTION UNIT	DESPLAZABLE	
17	531.43068	FLANGE, REVERSE SPEED	BRIDA MARCHA ATRAS	
18	531.48055	CASING 5 SPEEDS GEARBOX	CAJA 5 MARCHAS	
19	564.43074	PIN	PERNO	
20	564.43164	SLIDER	CURSOR	
21	564.48525	WORM GEAR	TORNILLO SIN FIN	
22	580.42059	SPRING	MUELLE	
23	580.43086	SHOE	ZAPATO	
24	590.43071	REVERSE SPEED GEAR	COMPL. MARCHA ATRAS	
25	590.48065	GEAR TRIPLE	TRIPLO	
26	590.48073	P.T.O. SHAFT	ARBOL TOMA DE FUERZA	
27	590.48520	SHIFT LEVER	PALANCA REDUCCION	
28	590.48527	CLUTCH SHAFT	ARBOL EMBRAGUE	



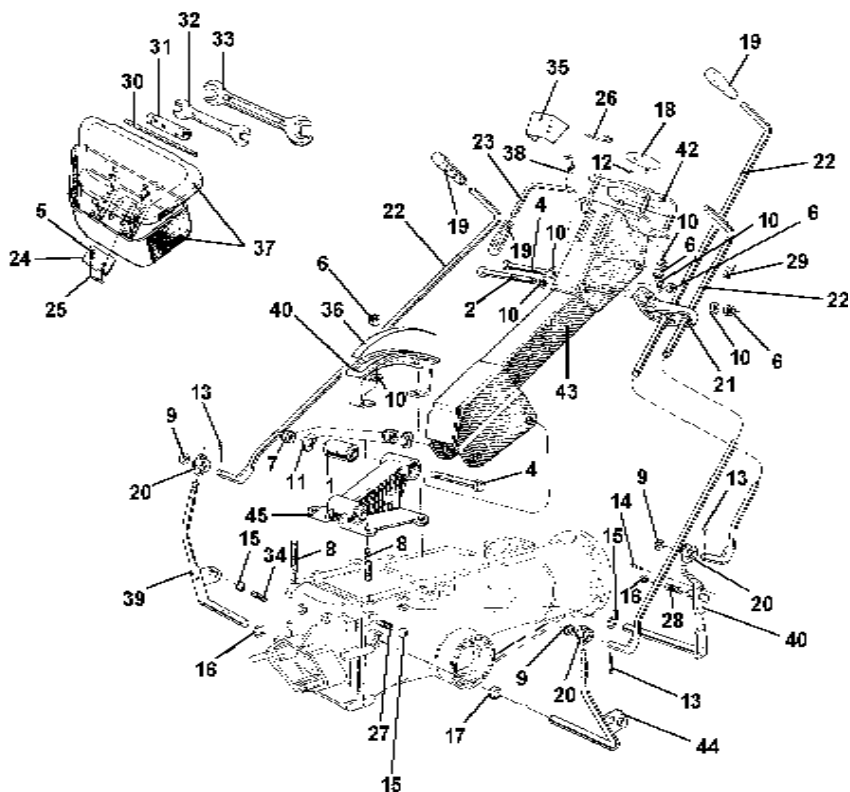
ID	PARTNO	DESCRIPTION	DENOMINACION	NOTES
1	342.11025	PIN, LOCKING 2.5 X 22 DIN 1481	ESPINA DE RES. 2.5 X 22 DIN 1481	
2	342.13020	LOCKING PIN 4 X 20 SPIRAL	ESPINA DE RES. 4 X 20 ESPIRAL	
3	342.13024	LOCKING PIN 4 X 24 SPIRAL	ESPINA DE RES. 4 X 24 ESPIRAL	
4	351.11052	CIRCLIP, INTERN D 52	SEEGER INT. D 52	
5	351.21015	CIRCLIP	SEEGER	
6	371.11151	BEARING 15 X 35 X 11 6202	COJINETE 15 X 35 X 11 6202	
7	371.11201	BEARING 20 X 47 X 14 6204	COJINETE 20 X 47 X 14 6204	
8	371.11255	BEARING 25 X 52 X 15 6205	COJINETE 25 X 52 X 15 6205	
9	379.11532	BALL 15/32 RIV RB-11.906	BOLA 15/32 RIV RB-11.906	
10	382.11201	SEAL, OIL 12 X 19 X 5 STANDARD	CHAPA RET. AC. 12 X 19 X 5 NORM.	
11	382.11501	SEAL, OIL 15 X 40 X 10 STANDARD	CHAPA RET. AC. A5 X 40 X 10 NORM.	
12	521.43171	LEVER, SPEED CHG SLDG GR	PALANCA ENGR. DESLIZABLE MAR.	
13	523.43168	SLIDE LEVER	PALANCA CURSOR	
14	524.48060	SLIDER SPEEDS	MANDO DESP. MARCHAS	
15	524.48078	WHEELS FIRST SPEED	BARRA I VELOCIDAD	
16	524.48523	SLIDER, REDUCTION UNIT	DESPLAZABLE	
17	531.43068	FLANGE, REVERSE SPEED	BRIDA MARCHA ATRAS	
18	531.48055	CASING 5 SPEEDS GEARBOX	CAJA 5 MARCHAS	
19	561.43932	WASHER 15.1 X 25 X 2	ARANDELA 15.1 X 25 X 2	
20	564.43074	PIN	PERNO	
21	564.43164	SLIDER	CURSOR	
22	564.48525	WORM GEAR	TORNILLO SIN FIN	
23	580.42059	SPRING	MUELLE	
24	580.43086	SHOE	PATIN	
25	590.43071	REVERSE SPEED GEAR	COMPL. MARCHA ATRAS	
26	590.48065	GEAR TRIPLE	TRIPLO	
27	590.48073	P.T.O. SHAFT	ARBOL TOMA DE FUERZA	
28	590.48499	CLUTCH SHAFT F. MOTOR MOWER	ARBOL EMBRAGUE MOTOSEGAD.604	
29	590.48520	SHIFT LEVER	PALANCA REDUCCION	



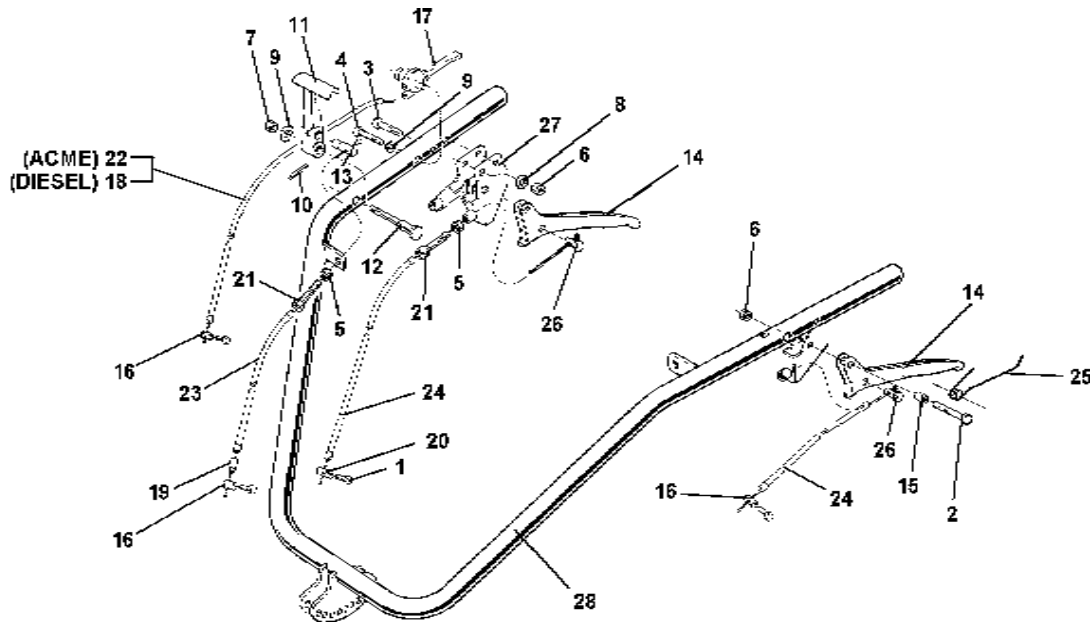
ID	PARTNO	DESCRIPTION	DENOMINACION	NOTES
1	311.12152	SCREW TE M8 X 30	TORNILLO TE M8 X 30	
2	312.11080	NUT M8	TUERCA M8	
3	312.11100	NUT M10	TUERCA M10	
4	312.41080	NUT, SELF LOCKING M8	TUERCA AUTOBLOC. M8	
5	313.12080	STUD M8 X 46 X 20 X 12	PRISIONERO M8 X 46 X 20 X 12	
6	313.12101	STUD M10 X 37 X 19 X 15 8G	PRISIONERO M10 X 37 X 19 X 15 8G	
7	313.12102	STUD M10 X 40 X 22 X 14	PRISIONERO M10 X 40 X 22 X 14	
8	314.11084	WASHER, FLAT 8.4	ARANDELA PLANA 8.4	
9	314.23084	WASHER, LOCK 8.4	ARANDELA DE RES. 8.4	
10	314.23105	WASHER, LOCK 10.5	ARANDE DE RES. 10.5	
11	351.11047	CIRCLIP, INTERN. D 47	SEEGER INT. D 47	
12	371.11202	BEARING 20 X 52 X 15 6304	COJINETE 20 X 52 X 15 6304	
13	371.11253	BEARING 25 X 47 X 12	COJINETE 25 X 47 X 12 6005	
14	381.11400	O-RING 2056 14.00 X 1.78	OR 2056 14.00 X 1.78	
15	382.13002	SEAL, OIL 30 X 40 X 7 STANDARD	CHAPA RET. ACEITE 30 X 40 X 7 NORM.	
16	524.43852	HALF AXLE RIGHT LONG	MANDO DERECHO LARGO	
17	524.43853	HALF AXLE LEFT SHORT	MANDO IZQUIERDO CORTO	
18	524.48182	COUPLING	AUMENTADOXDIF.	
19	531.48055	CASING 5 SPEEDS GEARBOX	CAJA 5 MARCHAS	
20	532.43851	HUB FOR HALF-AXLE	CUBO	
21	561.43865	RING FOR HALF AXLE	BARRA	
22	561.43878	BRACKET CLUTCH CONTRAST	SOPORTE CONTRASTE	
23	561.43880	LEVER RELEASE	PALANCA DE DESENGANCHE	
24	561.43883	CONTRAST DIFFERENTIAL SHEATH	CONTRASTE VAINA DIFERENTIAL	
25	564.43857	SPACER FOR DIFFERENTIAL	SEPARADOR	
26	564.43871	ROD	BARRA	
27	580.42202	SCREW, ADJUSTING M8	TORNILLO REGULACION M8	
28	580.43855	JOINT GASKET	GUARNICION	
29	580.43874	SPRING	MUELLE	
30	580.43881	SPRING	MUELLE	
31	590.43876	COVER DIFFERENTIAL	TAPA DIFERENTIAL	
32	590.48490	LEFT DIFFERENTIAL	DIFERENTIAL IZQUIERDO	



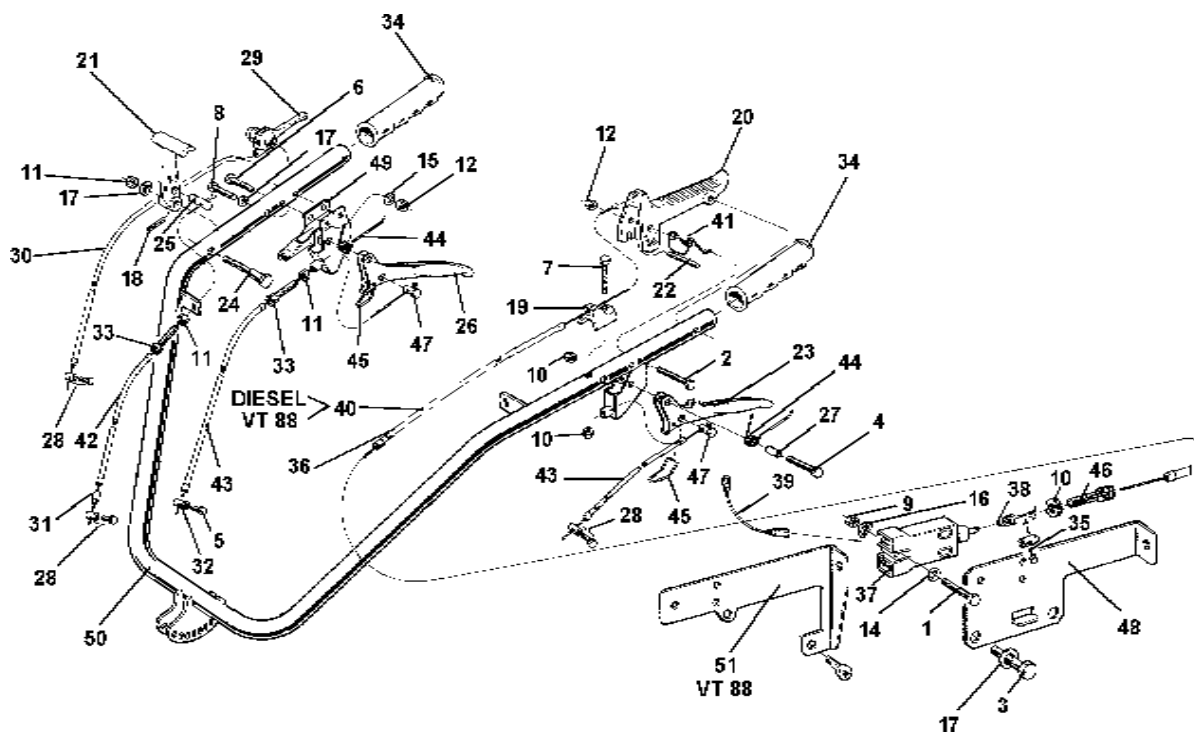
ID	PARTNO	DESCRIPTION	DENOMINACION	NOTES
1	300.10142	SILENTBLOCK	SILENTBLOC	
2	311.11165	SCREW TE M8 X 100	TORNILLO TE M8X 100	
3	311.11216	SCREW TE M10 X 70	TORNILLO TE M10 X 70	
4	311.12156	SCREW M8 X 60	TORNILLO M8 X 60	
5	312.41060	NUT, SELF LOCKING M6	TUERCA AUTOBLOC. M6	
6	312.41080	NUT, SELF LOCKING M8	TUERCA AUTOBLOC. M8	
7	312.41100	NUT, SELF LOCKING M10	TUERCA AUTOBLOC. M10	
8	313.12082	STUD M8 X 38 X 14 X 20	PRISIONERO M8 X 38 X 14 X 20	
9	314.11104	WASHER P10.5 X 18	ARANDELA P10.5 X 18	
10	314.23084	WASHER, LOCK 8.4	ARANDELA DE RES. 8.4	
11	314.23105	WASHER, LOCK 10.5	ARANDELA DE RES. 10.5	
12	314.40004	WASHER, LOCK FOR PINS	D-4 ARAND.ELAST.PARA PERNO D-4	
13	341.10028	COTTER PIN	PASADOR A 3 X 15 UNI 1336 AC.	
14	342.13025	LOCKING PIN SPIRAL	ESPIÑA DE RES. ESPIRAL	
15	379.11532	BALL 15/32 RIV RB-11.906	BOLA 15/32 RIV RB-11.906	
16	381.11191	O-RING 115 11.91 X 2.62	OR 115 11.91 X 2.62	
17	382.11201	SEAL, OIL 12 X 19 X 5 STANDARD	CHAPA RET. AC. 12 X 19 X 5 NORM.	
18	530.48656	MARK OVAL	OVAL MARCA	
19	551.42076	KNOB	POMO	
20	552.42528	JOINT, D 10	MANGUETA D 10	
21	552.43339	ROD SUPPORT	SOPORTE BARRA	
22	561.43360	ROD, CONTROL, POWER TILLER	TIRANTE MANDOS MC.	
23	561.48280	LEVER FOR SECTOR	PALANCA PARA SECTOR	
24	561.49467	PLATE	PLETINA	
25	561.49468	U-BOLT	PUENTE	
26	561.49667	SHEATH HOOK	GANCIO VAINA	
27	580.42059	SPRING	MUELLE	
28	580.43176	SPRING	MUELLE	
29	580.43321	PLATE SLOW/FAST SPEEDS	PLETINA VELOC. LENT./RAP.	
30	580.43718	PARALLEL PIN D 7 X 130	CLAVIJA CILINDRICA D 7 X 130	
31	580.43719	TUBE KEY 10 - 13	LLAVE A TUBO 10 - 13	
32	580.43720	OPEN KEY 13 - 17	LLAVE A BOCA 13 - 17	
33	580.43722	OPEN KEY 19 - 22	LLAVE A BOCA 19 - 22	
34	580.48369	P.T.O. SPRING	MUELLE TOMA DE FUERZA	
35	580.48468	ADHESIVE LABEL 604	AUTOADHESIVO 604	



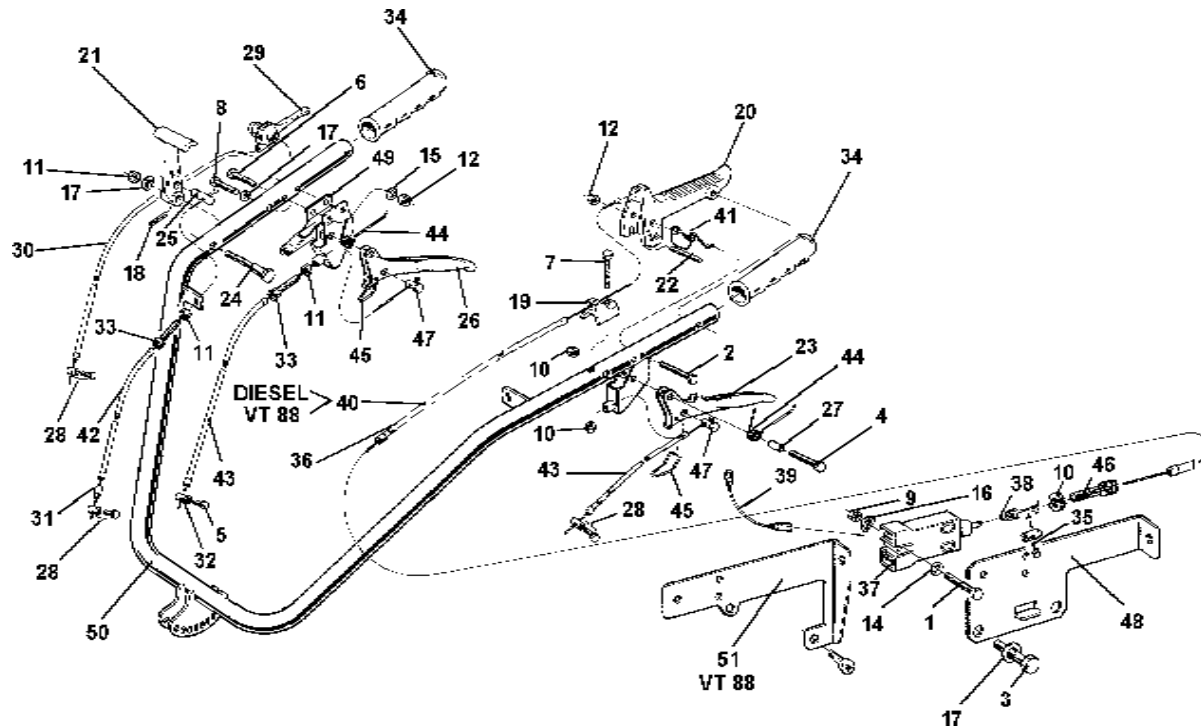
ID	PART NO	DESCRIPTION	DENOMINACION	NOTES
36	580.48521	PLATE, SPEEDS	PLANQUITA, VELOCID.	
37	580.49466	NEUTRAL TOOL BOX	CAJA ACCESORIOS NEUTRA	
38	580.50533	PIN	PASADOR	
39	590.43166	P.T.O. LEVER	PALANCA TOMA DE FUERZA	
40	590.48048	MOTOR MOWER GEARBOX LEVER	PALANCA CAMBIO MOTOSEGADORA	
41	590.48052	SELECTOR	SELECTOR	
42	590.48266	COVER ENDS	TAPA EXTREMIDAD	
43	590.48478	MOTOR MOWER STEERING COLUMN	COLUMNA PARA MOTOSEGADORA	
44	590.48520	SHIFT LEVER	PALANCA REDUCCION	
45	590.48522	SUPPORT COMPL. SILENTBLOCK	SOPORTE COMPL. PARA SILENTBLOC	



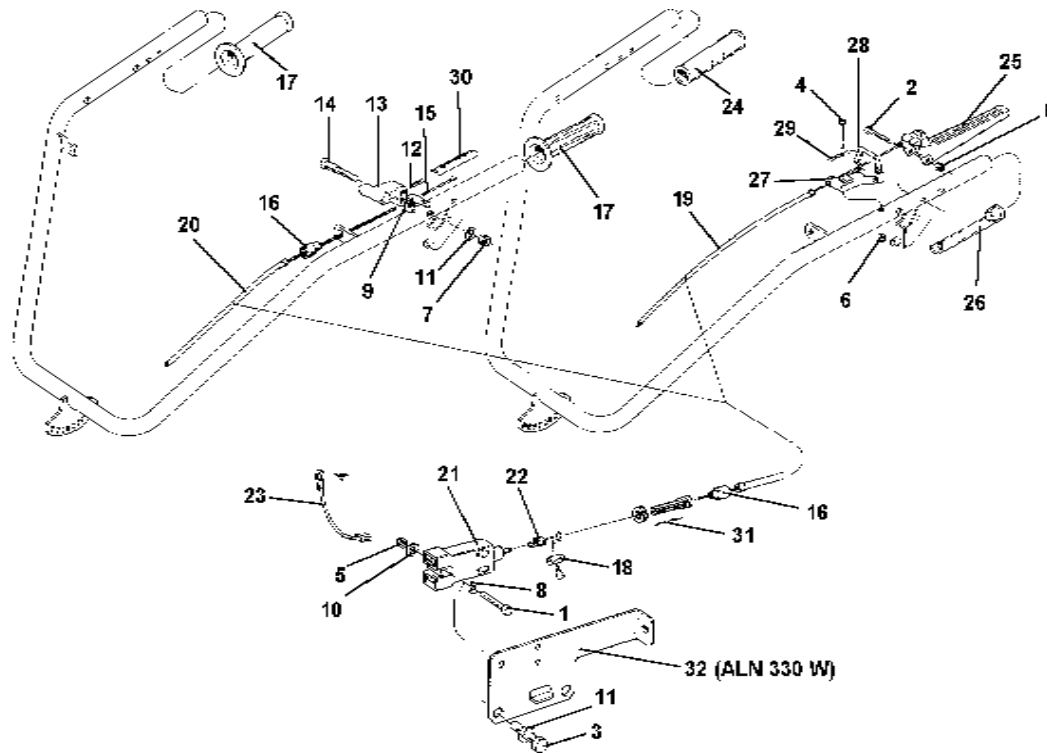
ID	PARTNO	DESCRIPTION	DENOMINACION	NOTES
1	311.11091	SCREW TE M6 X 14	TORNILLO TE M6 X 14	<b>THIS PARTS ILLUSTRATION COVERS THE OLDER STYLE HANLEBARS. IT DOES NOT INCLUDE THE ENGINE STOP CONTROLS. THE ENGINE STOP CONTROLS ARE ON PAGE 11.00</b>
2	311.12089	SCREW M6 X 25	TORNILLO M6 X 25	
3	311.12091	SCREW M6 X 40	TORNILLO M6 X 40	
4	311.12154	SCREW TE M8 X 40	TORNILLO TE M8 X 40	
5	312.11080	NUT M8	TUERCA M8	
6	312.41060	NUT, SELF LOCKING M6	TUERCA AUTOBLOC. M6	
7	312.41080	NUT, SELF LOCKING M8	TUERCA AUTOBLOC. M8	
8	314.22064	WASHER, LOCK 6.4	ARANDELA DE RES. 6.4	
9	314.23084	WASHER, LOCK 8.4	ARANDELA DE RES. 8.4	
10	342.11040	PIN, LOCKING 4 X 20	ESPINA DE RES. 4 X 20	
11	552.48284	LEVER DIFFERENTIAL LOCKING	PALANCA BLOCAJE	
12	561.48285	PIN	PERNO	
13	561.48286	DRILLED PIN	PERNO FORADO	
14	561.48470	LEVER	PALANCA	
15	561.50361	LEVER SPACER	SEPARADOR PALANCA	
16	580.02429	CLAMP, CABLE	PASADOR	
17	580.02538	LEVER, ACCELERATOR	PALANCA MANDO GAS	
18	580.26222	CABLE & SHEATH, ACCEL AD114	CABLE Y VAINA GAS AD114	
19	580.42167	END, SHEATH	BULON CABLE EMBRAGUE	
20	580.42200	PIN, CABLE CLAMP	PERNO ABRAZADERA CABLE	
21	580.42202	SCREW, ADJUSTING M8	TORNILLO REGULACION M8	
22	580.43242	CABLE & SHEATH, ACCEL. L 1380	CABLE Y VAINA GAS L 1380	
23	580.48547	WIRE AND SHEATH L 800	ALAMBRE Y VAINA L 800	
24	580.49670	SHEATH CABLE	CABLE VAINA	
25	580.50345	LEVER SPRING	MUELLE PALANCA	
26	581.50313	BARREL	PASADOR	
27	590.48469	COUPLING FOR DOUBLE LEVER	ATTAQUE PARA PALANCA DOBLE	
28	590.48481	HANDLEBAR	MANILLAR	



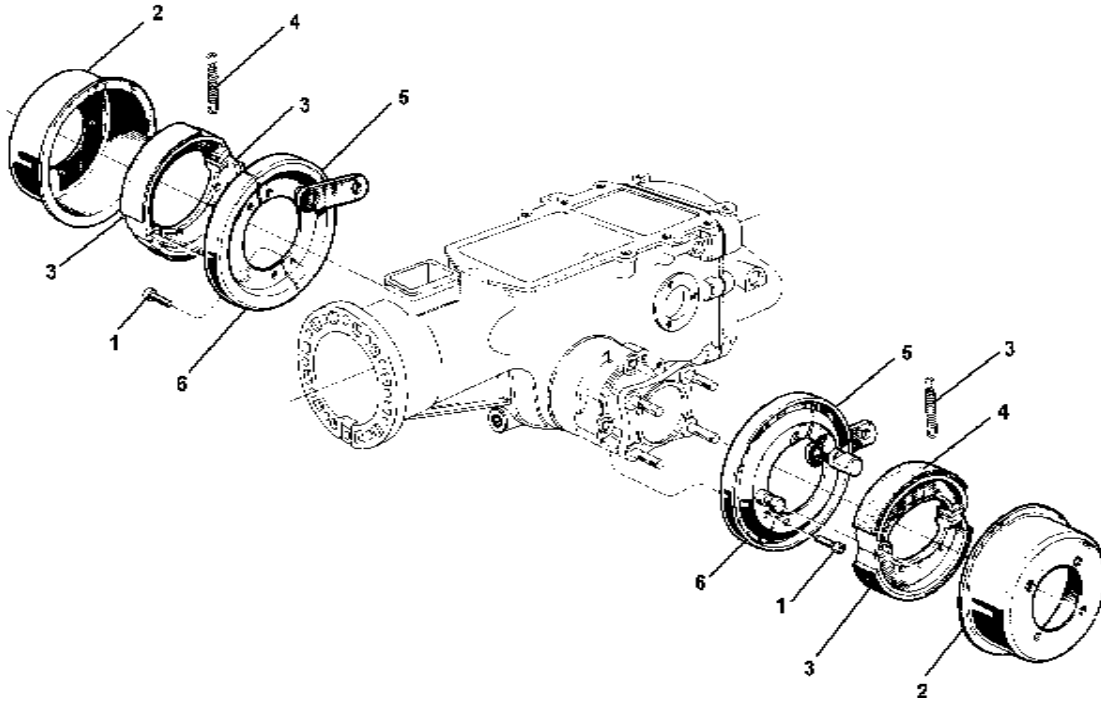
ID	PARTNO	DESCRIPTION	DENOMINACION	NOTES
1	311.11086	SCREW TE M4 X 25	TORNILLO TE M4 X 25	THIS PARTS ILLUSTRATION COVERS THE HANDLEBARS FOR THE UNITS THAT USED AN ACME ENGINE. THE BRIGGS & STRATTON ENGINE HANDLEBARS ARE ON PAGE 12.00
2	311.11097	SCREW TE M6 X 45	TORNILLO TE M6 X 45	
3	311.11150	SCREW TE M8 X 12	TORNILLO M8 X 12	
4	311.12089	SCREW M6 X 25	TORNILLO M6 X 25	
5	311.12090	SCREW TE M6 X 16	TORNILLO TE M6 X 16	
6	311.12091	SCREW M6 X 40	TORNILLO M6 X 40	
7	311.12092	SCREW M6 X 35	TORNILLO M6 X 35	
8	311.12154	SCREW TE M8 X 40	TORNILLO TE M8 X 40	
9	312.11040	NUT M4	TUERCA M4	
10	312.11060	NUT M6	TUERCA M6	
11	312.11080	NUT M8	TUERCA M8	
12	312.41060	NUT, SELF LOCKING M6	TUERCA AUTOBLOC. M6	
13	312.41080	NUT, SELF LOCKING M8	TUERCA AUTOBLOC. M8	
14	314.11043	FLAT WASHER 4.3	ARANDELA PLANA 4.3	
15	314.22064	WASHER, LOCK 6.4	ARANDELA DE RES. 6.4	
16	314.23043	LOCK WASHER B 4.3	ARANDELA DE RES. B 4.3	
17	314.23084	WASHER, LOCK B 8.4	ARANDELA DE RES. B 8.4	
18	342.11040	PIN, LOCKING 4 X 20	ESPIÑA DE RES. 4 X 20	
19	552.48038	SHEATH STOP OF MOTOR STOP	FUNDA VAINA MOTOR STOP	
20	552.48041	MOTOR STOP LEVER	PALANCA MOTOR STOP	
21	552.48284	LEVER DIFFERENTIAL LOCKING	PALANCA BLOCAJE	
22	561.48037	LEVER STOP FOR MOTOR STOP	FIJACION PALANCA MOTOR STOP	
23	561.48040	CLUTCH LEVER	PALANCA	
24	561.48285	PIN	PERNO	
25	561.48286	DRILLED PIN	PERNO FORADO	
26	561.48470	LEVER	PALANCA	
27	561.50361	LEVER SPACER	SEPARADOR PALANCAS	
28	580.02429	CLAMP, CABLE	PASADOR	
29	580.02538	LEVER, ACCELERATOR	PALANCA MANDO GAS	
30	580.26222	CABLE & SHEATH, ACCEL. AD114	CABLE Y VAINA GAS AD 114	
31	580.42167	END, SHEATH	BULON CABLE EMBRAGUE	
32	580.42200	PIN, CALE CLAMP	PERNO ABRAZADERA CABLE	
33	580.42202	SCREW, ADJUSTING M8	TORNILLO REGULACION M8	
34	580.48000	GRIP	MANIVELA	
35	580.48002	CABLE CLAMP	PASADOR	



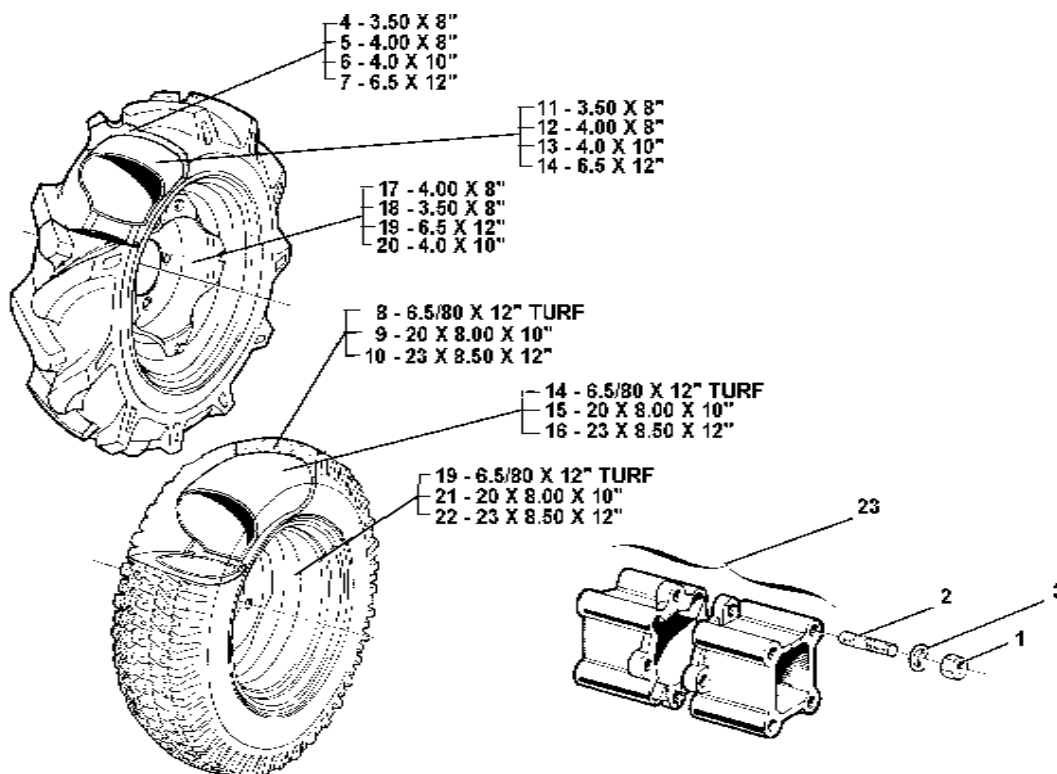
ID	PARTNO	DESCRIPTION	DENOMINACION	NOTES
36	580.48005	SHEATH CABLE	FILOVAINA	THIS PARTS ILLUSTRATION COVERS THE HANDLEBARS FOR THE UNITS THAT USED AN ACME ENGINE. THE BRIGGS & STRATTON ENGINE HANDLEBARS ARE ON PAGE 12.00
37	580.48009	STOP SWITCH	INTERRUPTOR STOP	
38	580.48010	SWITCH SPRING	MUELLE PARA INTERRUPTOR	
39	580.48011	SWITCH CABLES	CABLES INTERRUPTOR	
40	580.48025	SHEATH CABLE	CABLE VAINA	
41	580.48039	MOTOR STOP LEVER SPRING	MUELLE PALANCA MOTOR STOP	
42	580.48547	WIRE AND SHEATH L 800	ALAMBRE Y VAINA L 800	
43	580.49670	SHEATH CABLE	CABLE VAINA	
44	580.50345	LEVER SPRING	PALANCA	
45	580.51670	LEVER HOOK	GANCHO PALANCA	
46	581.47704	ADJUSTING SCREW	TORNILLO REGULACION	
47	581.50313	BARREL	PASADOR	
48	590.48003	SUPPORT FOR ACME STOP SWITCH	SOPORTE INTERR. STOP ACME	
49	590.48469	COUPLING FOR DOUBLE LEVER	ATTAQUE PARA PALANCA DOBLE	
50	590.48481	HANDLEBAR	MANILLAR	
51	590.49511	SUPPORT	SOPORTE	



ID	PART NO	DESCRIPTION	DENOMINACION	NOTES
1	311.11086	SCREW TE M4 X 25	TORNILLO TE M4 X 25	THIS PARTS ILLUSTRATION COVERS THE OLDER STYLE ENGINE STOP CONTROLS FOR THE HANDLE BARS ON PAGE 10.00.
2	311.11097	SCREW TE M6 X 45	TORNILLO TE M6 X 45	
3	311.11150	SCREW TE M8 X 12	TORNILLO TE M8X 12	
4	311.31064	SCREW TSV M6 X 40	TORNILLO TSV M6 X 40	
5	312.11040	NUT M4	TUERCA M4	
6	312.41060	NUT, SELF LOCKING M6	TUERCA AUTOBLOC. M6	
7	312.41080	NUT, SELF LOCKING M8	TUERCA AUTOBLOC. M8	
8	314.11043	FLAT WASHER 4.3	ARANDELA PLANA 4.3	
9	314.11084	WASHER, FLAT 8.4	ARANDELA PLANA 8.4	
10	314.23043	LOCK WASHER B 4.3	ARANDELA DE RES. B 4.3	
11	314.23084	WASHER, LOCK 8.4	ARANDELA DE RES. 8.4	
12	342.11040	PIN, LOCKING 4 X 20	ESPIÑA DE RES. 4 X 20	
13	552.48484	LOCKING LEVER	PALANCA BLOCAJE	
14	561.48285	PIN	PERNO	
15	561.48286	DRILLED PIN	PERNO FORADO	
16	580.42167	END, SHEATH	BULON CABLE EMBRAGUE	
17	580.42692	KNOB RUBBER HOLE D 25	MANETA GOMA TALADRO D 25	
18	580.48002	CABLE CLAMP	PASADOR	
19	580.48005	SHEATH CABLE	FILO VAINA	
20	580.48008	SHEATH CABLE	FILO VAINA	
21	580.48009	STOP SWITCH	INTERRUPTOR STOP	
22	580.48010	SWITCH SPRING	MUELLE PARA INTERRUPTOR	
23	580.48011	SWITCH CABLES	CABLES INTERRUPTOR	
24	580.48014	GRIP	MANIVELA	
25	580.48015	MOVABLE MOTOR STOP BODY	CUERPO MOTOR STOP	
26	580.48016	FIXED BODY	CUERPO FIJO	
27	580.48017	SHEATH LOCK	ESTACIONAMIENTO VAINA	
28	580.48018	MOVABLE BODY LOCK	ESTACIONAMIENTO CUERPO	
29	580.48019	SPRING	MUELLE	
30	580.48485	RUN-STOP LABEL	ETIQUETA RUN-STOP	
31	581.50309	ADJUSTING SCREW	TORNILLO REGULACION	
32	590.48003	SUPPORT OR ACME STOP SWITCH	SOPORTE INTERR. STOP ACME	



ID	PARTNO	DESCRIPTION	DENOMINACION	NOTES
1	311.52085	SCREW TE CE M8 X 25	TORNILLO TE CE M8 X 25	
2	561.48218	BRAKE DRUM	TAMBOR FRENO	
3	580.48214	SHOE	ZAPATA	
4	580.48215	SPRING	MUELLE	
5	590.48200	SEMIDISC LEVER	PALANCA SEMIDISCO	
6	590.48208	PIN HALF-DISC	PERNO SEMIDISCO	



ID	PARTNO	DESCRIPTION	DENOMINACION	NOTES
1	312.11100	NUT M10	TUERCA M10	
2	313.12102	STUD M10 X 40 X 22 X 14	PRISIONERO M10 X 40 X 22 X 14	
3	314.23105	WASHER, LOCK 10.5	ARANDELA DE RES. 10.5	
4	391.13502	TIRE 3.50 8 TRAC.	CUBIERTA DE NEUMATICO 3.50 8	
5	391.14008	TIRE TRACTOR 4.00 X 8	CUBIERTA DE NEUMATICO 4.00 X 8	
6	391.14010	TIRE TRACTOR 4.0 X 10	CUBIERTA TM 4.0 X 10	
7	391.16018	TIRE 6.5 X 12	CUBIERTA 6.5 X 12	
8	391.16021	TIRE 6.50/80 X 12	CUBIERTA 6.5/80 X 12	
9	391.18020	TIRE 20 X 8.00 X 10	CUBIERTA 20 X 8.00 X 10	
10	391.18523	TIRE 23 X 8.50 X 12	CUBIERTA 23 X 8.50 X 12	
11	394.13502	TUBE 3.50 8P	CAMARA DE AIRE 3.50 8P	
12	394.14008	TUBE 4.00 X 8	CAMARA 4.00 X 8	
13	394.14010	TUBE 4.0 X 10	CAMARA DE AIRE 4.0 X 10	
14	394.16018	TUBE 6.5 X 12	CAMARA DE AIRE 6.5 X 12	
15	394.18020	TUBE 20 X 8.00 X 10	CAMARA DE AIRE 20 X 8.00 X 10	
16	394.18523	TUBE 23 X 8.50 X 12	CAMARA DE AIRE 23 X 8.50 X 12	
17	580.43250	WHEEL, DISK, 2.50 X 8	RUEDA EN DISCO 2.50 X 8	
18	580.43370	RIM 2.50 X 8 FOR 601	LLANTA 2.50 X 8 PARA 601	
19	580.44804	RIM 5JA - 12 INCH. ADJ. TRACK	LLANTA 5JA - 12"	
20	580.48330	RIM 3.50 D 10 (INCH) C.VAR.COM.	LLANTA 3.50 D 10"	
21	580.48331	RIM 6.00 1 - 10"	LLANTA 6.00 1 - 10"	
22	580.49795	RIM 7.00 J - 12"	LLANTA 7.00 J - 12"	
23	922.43685	WHEEL SPACERS, 2.5" (PR)	SEPARADOR RUEDA, 2.5" (PR)	