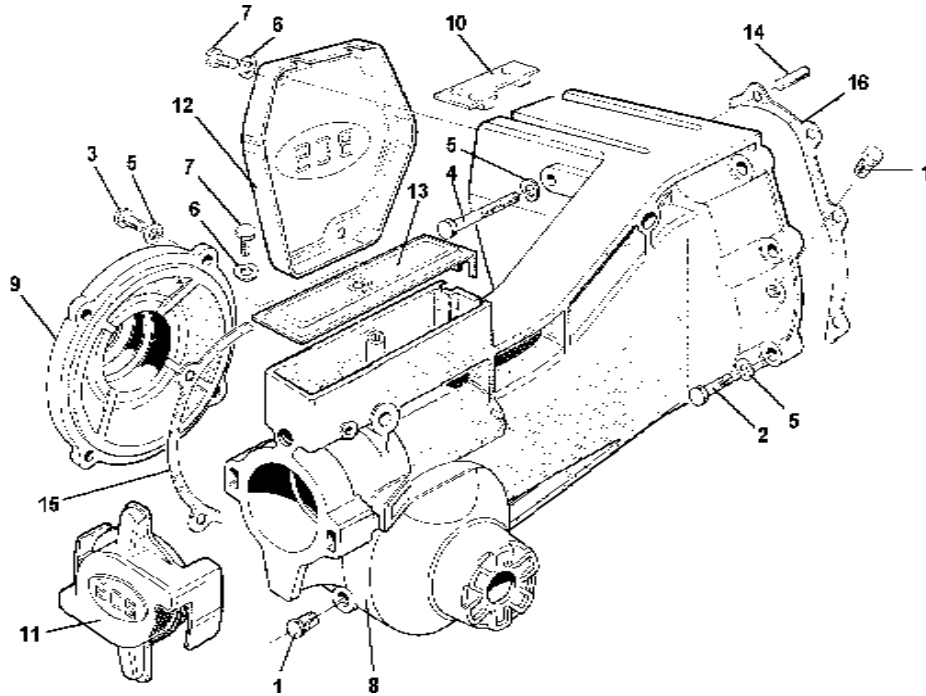
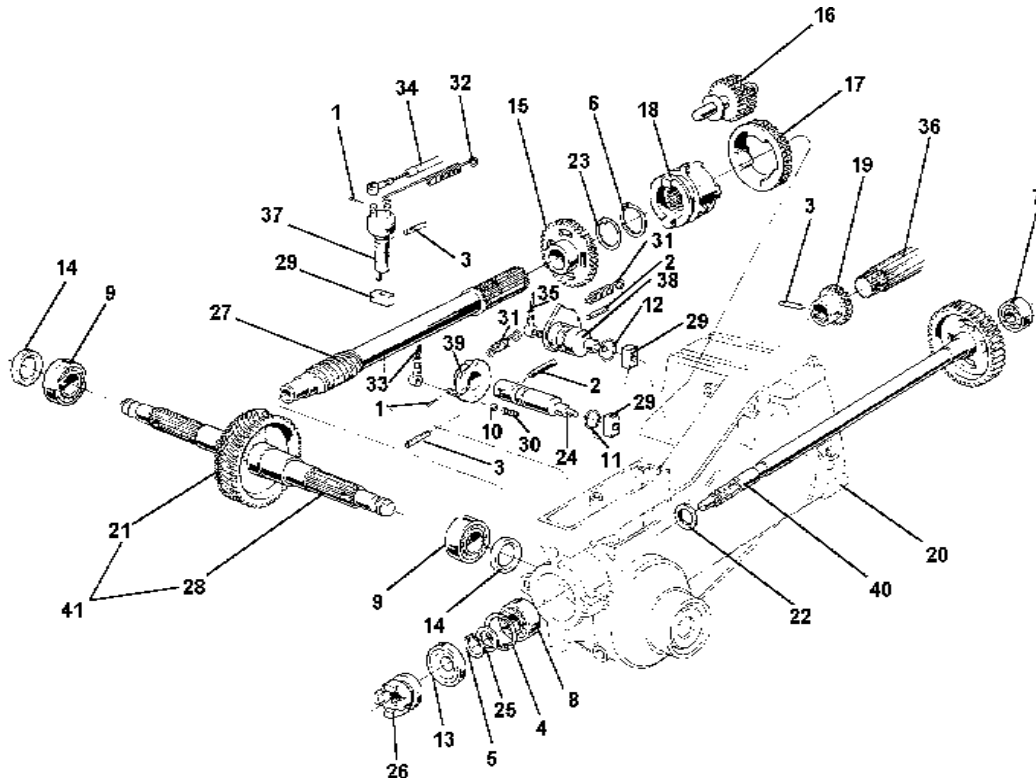




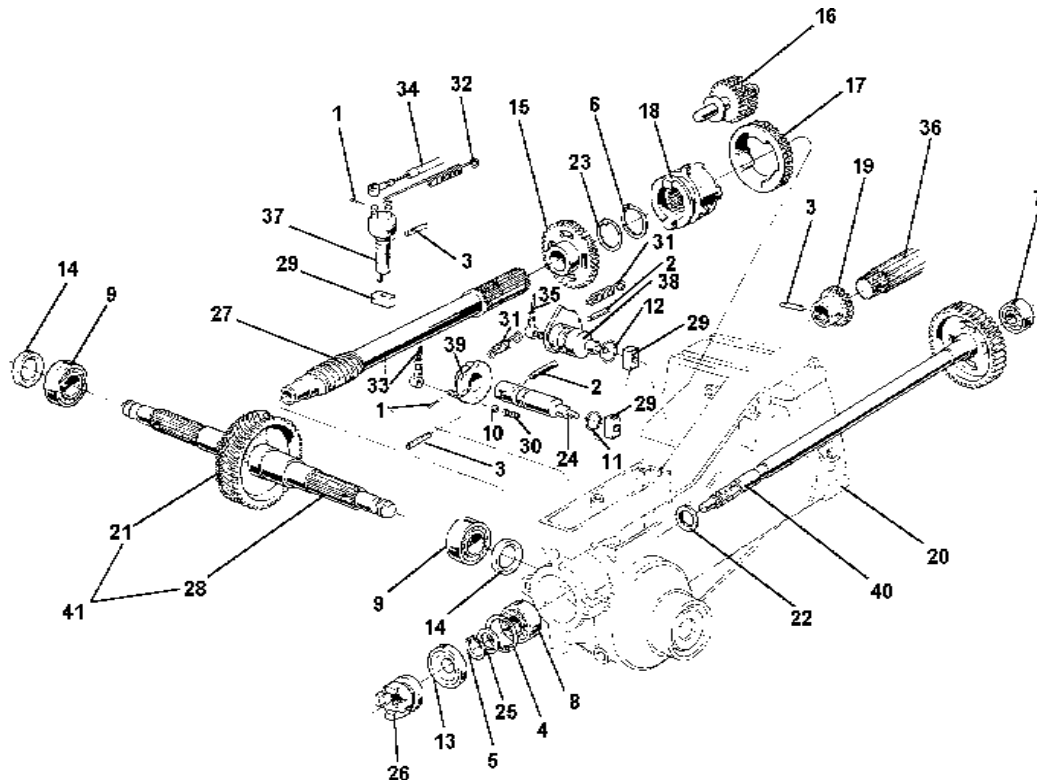
A M E R I C A



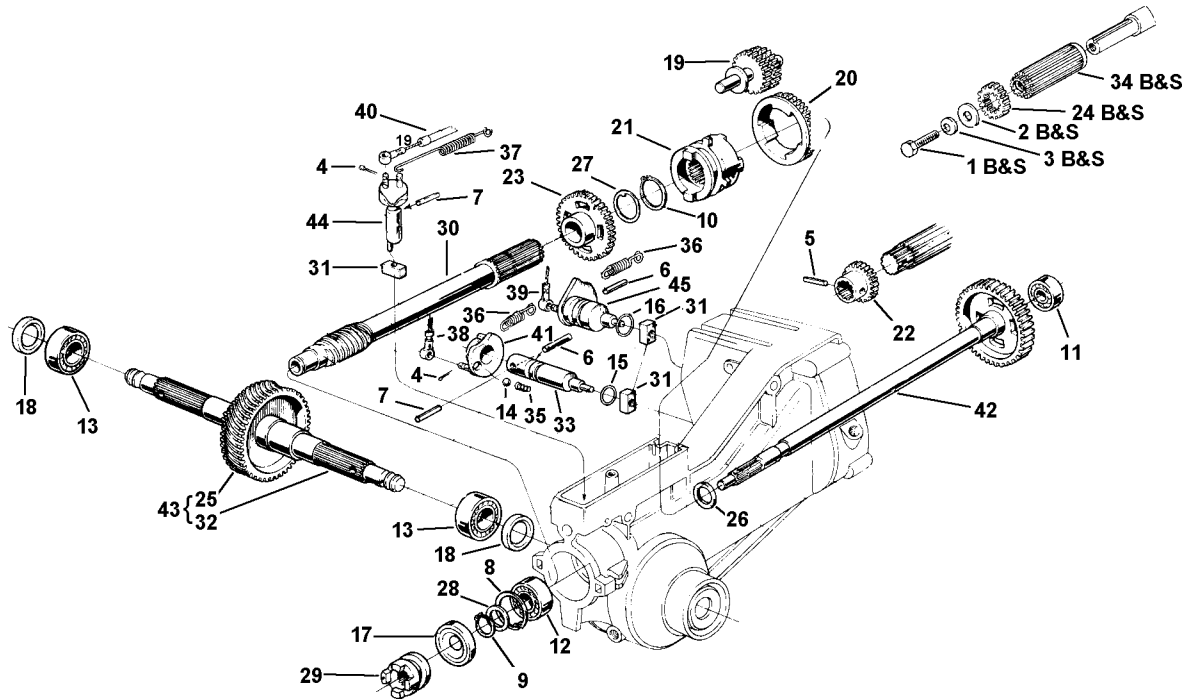
ID	PART NO	DESCRIPTION	DENOMINACION	NOTES
1	300.40001	PLUG 1/4 GAS	TAPON 1/4 GAS	
2	311.12086	SCREW	TORNILLO	
3	311.12093	SCREW M6 X 20	TORNILLO M6 X 20	
4	311.12096	SCREW M6 X 85	TORNILLO M6 X 85	
5	314.22064	WASHER, LOCK 6.4	ARANDELA DE RES. 6.4	
6	314.23053	WASHER, LOCK 5.3	ARANDELA DE RES. 5.3	
7	315.10052	SCREW M5 X 10	TORNILLO M5 X 10	
8	531.50201	GEARBOX	CAJA DE CAMBIO	
9	531.50202	GEARBOX COVER	TAPA CAJA CAMBIO	
10	551.50272	CABLE PROTECTION	PROTECCION CABLES	
11	552.50266	IMPL. COUPLING PROTECTION	PROTECCION	
12	561.50263	SIDE COVER	TAPA LATERAL	
13	561.50265	UPPER COVER	TAPA SUPERIOR	
14	580.43053	PARALLEL PIN D 6 X 20	ESPINA CIL. D 6 X 20	
15	580.50203	COVER GASKET	GUARNICION TAPA	
16	580.50251	GEARBOX GASKET	GUARNICION CAJA CAMBIO	



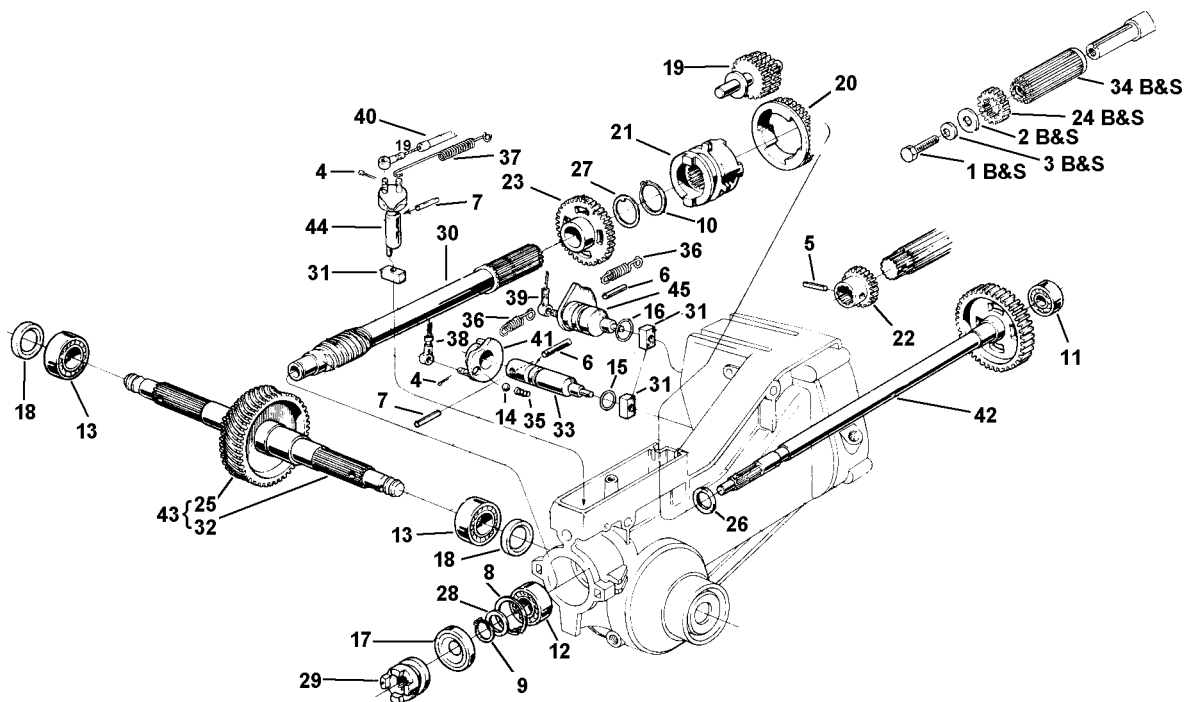
ID	PARTNO	DESCRIPTION	DENOMINACION	NOTES
1	341.10020	PIN, COTTER 2 X 12	PASADOR 2 X 12	
2	342.13054	PIN, LOCKING SW 5 X 24 SPIRAL	ESPINA DE RES. SW 5 X 24 ESPIRAL	
3	342.13055	PIN, LOCKING 5 X 30 SPIRAL	ESPINA DE RES. 5 X 30 ESPIRAL	
4	351.11047	CIRCLIP, INTERN. D 47	SEEGER INT. D 47	
5	351.21020	CIRCLIP, EXTERN. D 20	SEEGER EXT. D 20	
6	351.21028	CIRCLIP, EXT. D 28	SEEGER EXT. D 28	
7	371.11120	BEARING 12 X 37 X 12 6301	COJINETE 12 X 37 X 12 6301	
8	371.11201	BEARING 20 X 47 X 14 6204	COJINETE 20 X 47 X 14 6204	
9	371.11255	BEARING 25 X 52 X 15 6205	COJINETE 25 X 52 X 15 6205	
10	379.11532	BALL 15/32 RIV RB-11.906	BOLA 15/32 RIV RB-11.906	
11	381.11508	O-RING 119 15.08 X 2.62	OR 119 15.08 X 2.62	
12	381.12022	O-RING 4081 20.22 X 3.53	OR 4081 20.22 X 3.53	
13	382.11503	OIL SEAL 15 X 50 X 7	CHAPA RET. ACEITE 15 X 50 X 7	
14	382.12500	OIL SEAL 25 X 40 X 7	CHAPA RET. ACEITE 25 X 40 X 7	
15	524.50226	IDLE GEAR	ENGRANAJE	
16	524.50245	REVERSE SPEED GEAR	ENGRANAJE	
17	524.50247	SLIDING GEAR	ENGRANAJE ESCURRIDIZO	
18	524.50248	SLIDING HUB	CUBO ESCURRIDIZO	
19	524.50254	GEAR FOR HIGH SPEEDS	ENGRANAJE MARCHAS	
20	531.50250	GEARBOX	CAJA CAMBIO	
21	541.50269	GEAR	CORONA	
22	563.50236	STOP WASHER	ARANDELA DE CONTRASTE	
23	563.50238	STOP WASHER	ARANDELA TOPE	
24	563.50249	SPEED CONTROL PIN	PERNO MARCHA	
25	563.50256	WASHER	ARANDELA	
26	564.50212	PTO COUPLING	ACOPLAMIENTO APEROS	
27	564.50268	WORM GEAR	TORNILLO SIN FIN	
28	565.50271	WHEEL SHAFT	EJE RUEDAS	
29	571.50221	BLOCK	PATIN	29 & 37 ARE NO LONGER AVAILABLE. IF EITHER PART IS NEEDED PLEASE ORDER 564.50279 BLOCK AND 590.50276 PIN. THIS WILL UPDATE THE UNIT TO A S/N 60,000+ CONFIGURATION.
30	580.20258	SPRING, GEAR SPEED RELEASE	DISPARO MARCHAS	
31	580.50262	SPEED SPRING	RESORTE MARCHAS	
32	580.50264	PTO SPRING	RESORTE ACOPLAMIENTO	
33	580.50396	CABLE	CABLE	
34	580.50397	CABLE	CABLE	
35	580.50398	CABLE	CABLE	



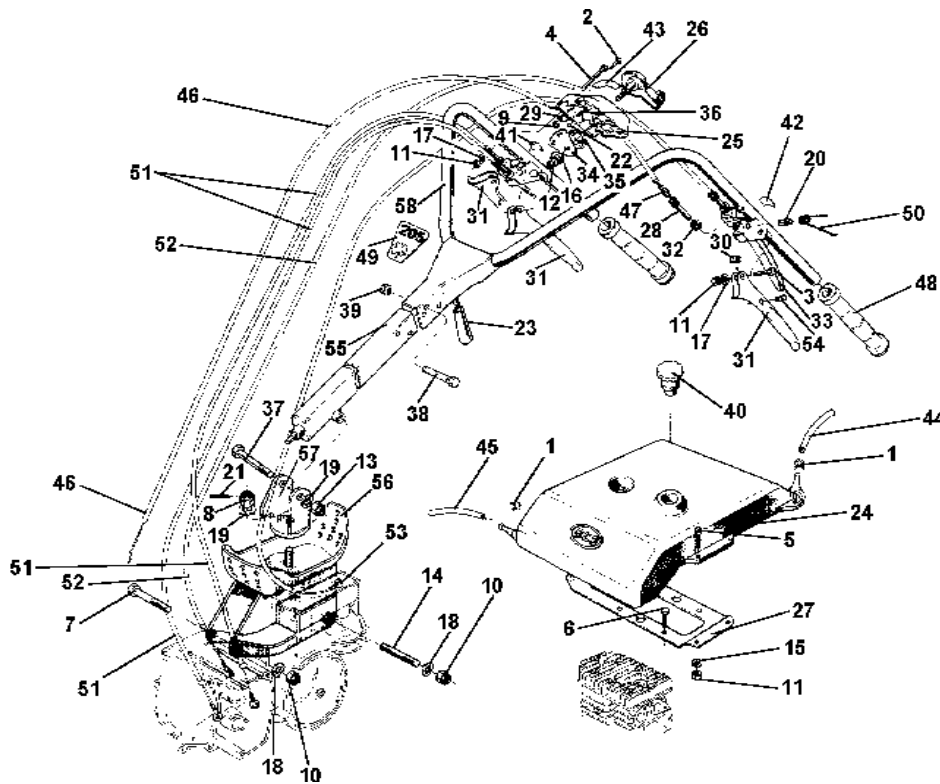
ID	PARTNO	DESCRIPTION	DENOMINACION	NOTES
36	581.50013	CRANKSHAFT	ARBOL MOTOR	
37	590.50224	IMPLEMENT PIN	APEROS PERNO	
38	590.50234	PIN REV. SPEED	PERNO PARA MARCHA ATR.	
39	590.50257	FLANGE FOR SPEED PIN	BRIDA - PERNO	
40	590.50259	PTO SHAFT	ARBOL TOMA DE FUERZA	
41	590.50270	WHEEL SHAFT & GEAR	ARBOL RUEDAS Y ENGRANAJE	



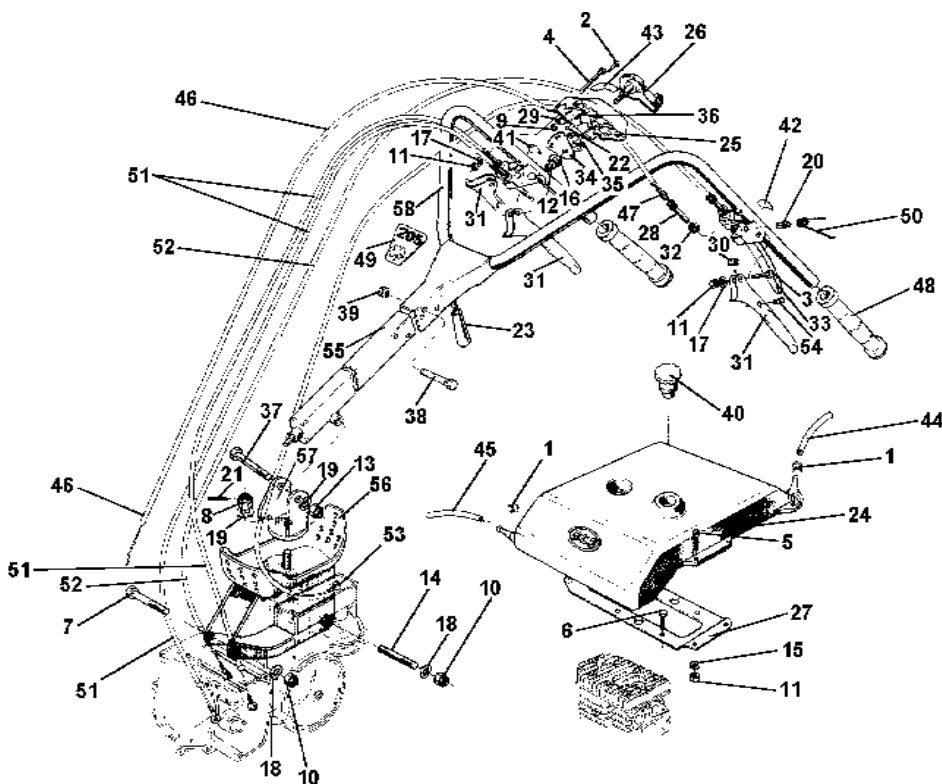
ID	PARTNO	DESCRIPTION	DENOMINACION	NOTES
1	311.00016	HEX HEAD BOLT, 5/16 X 24	TORNILLO 5/16 X 24	
2	314.11092	WASHER	ARANDELA	
3	314.21083	WASHER	ARANDELA	
4	341.10020	COTTER PIN, 2 X 12	PASADOR 2 X 12	
5	342.11054	PIN, LOCKING 5 X 30	ESPINA DE RES. 5 X 30	
6	342.13054	PIN, LOCKING SW 5 X 24 SPIRAL	ESPINA DE RES. SW 5 X 25 ESPIRAL	
7	342.13055	PIN, LOCKING 5 X 30 SPIRAL	ESPINA DE RES. 5 X 30 ESPIRAL	
8	351.11047	RETAINING RING, INTERNAL D 47	SEEGER INT. D 47	
9	351.21020	RETAINING RING, EXTERNAL D 20	SEEGER EXT. D 20	
10	351.21028	RETAINING RING, EXTERNAL D 28	SEEGER EXT. D 28	
11	371.11120	BEARING, 12 X 37 X 12 6301	COJINETE 12 X 37 X 12 6301	
12	371.11201	BEARING, 20 X 47 X 14 6204	BARRA 20 X 47 X 14 6204	
13	371.11255	BEARING, 25 X 52 X 15 6205	COJINETE 25 X 52 X 15 6205	
14	379.11532	BALL 15/32 RIV RB-11.906	BOLA 15/32 RIV RB-11.906	
15	381.11508	O-RING, 119 15.08 X 2.62	OR 119 15.08 X 2.62	
16	381.12022	O-RING 4081 20.22 X 3.53	OR 4081 20.22 X 3.53	
17	382.11503	OIL SEAL, 15 X 50 X 7	CHAPA RET. ACEITE 15 X 50 X 7	
18	382.12500	SEAL, 25 X 40 X 7	CHAPA RET. ACEITE 25 X 40 X 7	
19	524.50245	REVERSE DRIVE GEAR	ENGRANAJE	
20	524.50247	SLIDING GEAR	ENGRANAJE ESCURRIDIZO	
21	524.50248	SLIDING HUB	CUBO ESCURRIDIZO	
22	524.50280	HIGH SPEED GEAR, ACME & BCS	ENGRANAJE MARCHA VELOZ.	
23	524.50281	IDLE GEAR	ENGRANAJE NEUTRO MARCHAS VEL	
24	524.50282	GEAR, HIGH SPEED B & S ENGINE	ENGRANAJE MARCHA VELOZ, B & S	
25	541.50269	GEAR, WHEEL SHAFT	CORONA	
26	563.50236	STOP WASHER	ARANDELA DE CONTRASTE	
27	563.50238	STOP WASHER	ARANDELA TOPE	
28	563.50256	WASHER	ARANDELA	
29	564.50212	PTO COUPLING	ACOPLAMIENTO APEROS	
30	564.50268	WORM GEAR	TORNILLO SIN FIN	
31	564.50279	SHOE, DRIVE	PATIN	
32	565.50271	WHEEL SHAFT	ARBOL RUEDAS	
33	565.50278	PIN FOR DRIVE CONTROL	PERNO MANDO MARCHAS	
34	565.50290	CRANKSHAFT GEAR	ENGRANAJE	
35	580.20258	SPRING, GEAR DRIVE RELEASE	DISPARO MARCHAS	



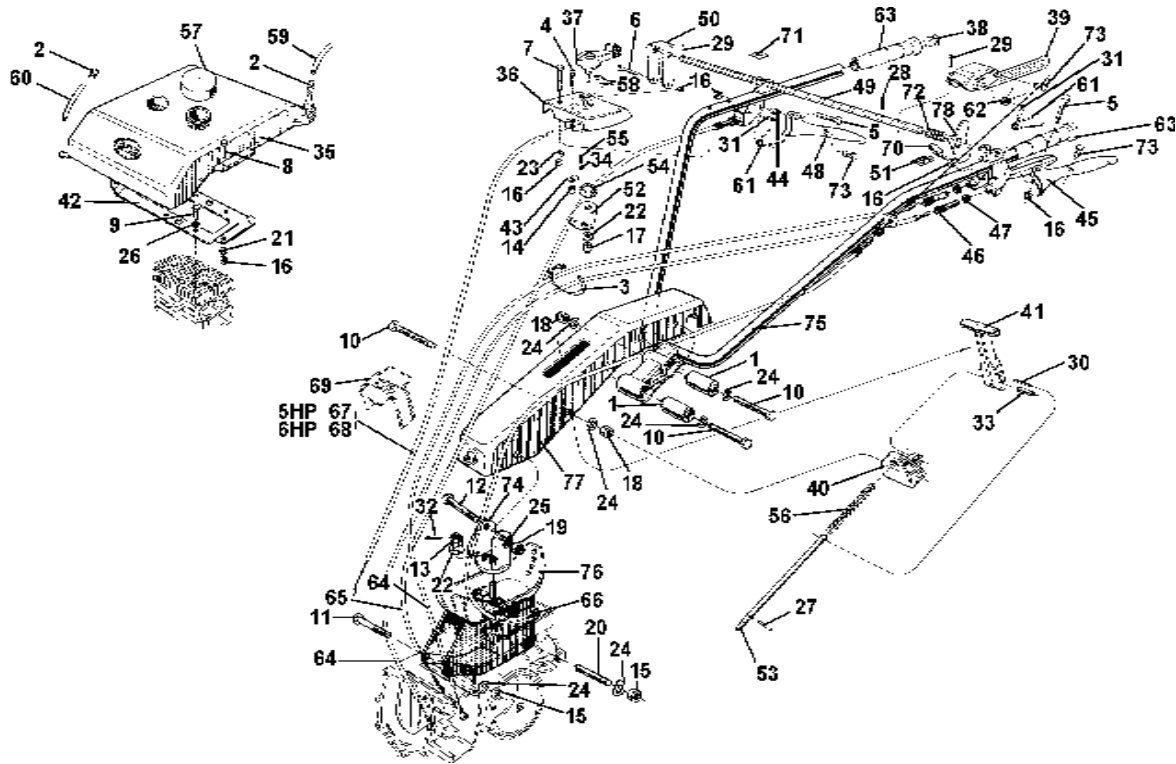
ID	PART NO	DESCRIPTION	DENOMINACION	NOTES
36	580.50262	SPRING, DRIVE CONTROL	RESORTE MARCHAS	
37	580.50264	SPRING, PTO DISENGAGEMENT	RESORTE ACOPLAMIENTO	
38	580.51675	CABLE, FORWARD DRIVE	FILO MARCHA ADELANTE	
39	580.51676	CABLE, REVERSE DRIVE	FILO MARCHA ATRA	
40	580.51677	CABLE, PTO ENGAGEMENT	FILO TOMA DE FUERZA	
41	590.50257	FLANGE FOR DRIVE PIN	BRIDA - PERNO	
42	590.50259	PTO SHAFT	ARBOL TOMA DE FUERZA	
43	590.50270	WHEEL SHAFT AND GEAR	ARBOL RUEDAS	
44	590.50276	PIN, PTO ENGAGEMENT	PERNO PARA ATAQUE APEROS	
45	590.50277	PIN, REVERSE SPEED CONTROL	PERNO PARA MANDO MARCHA ATRA	



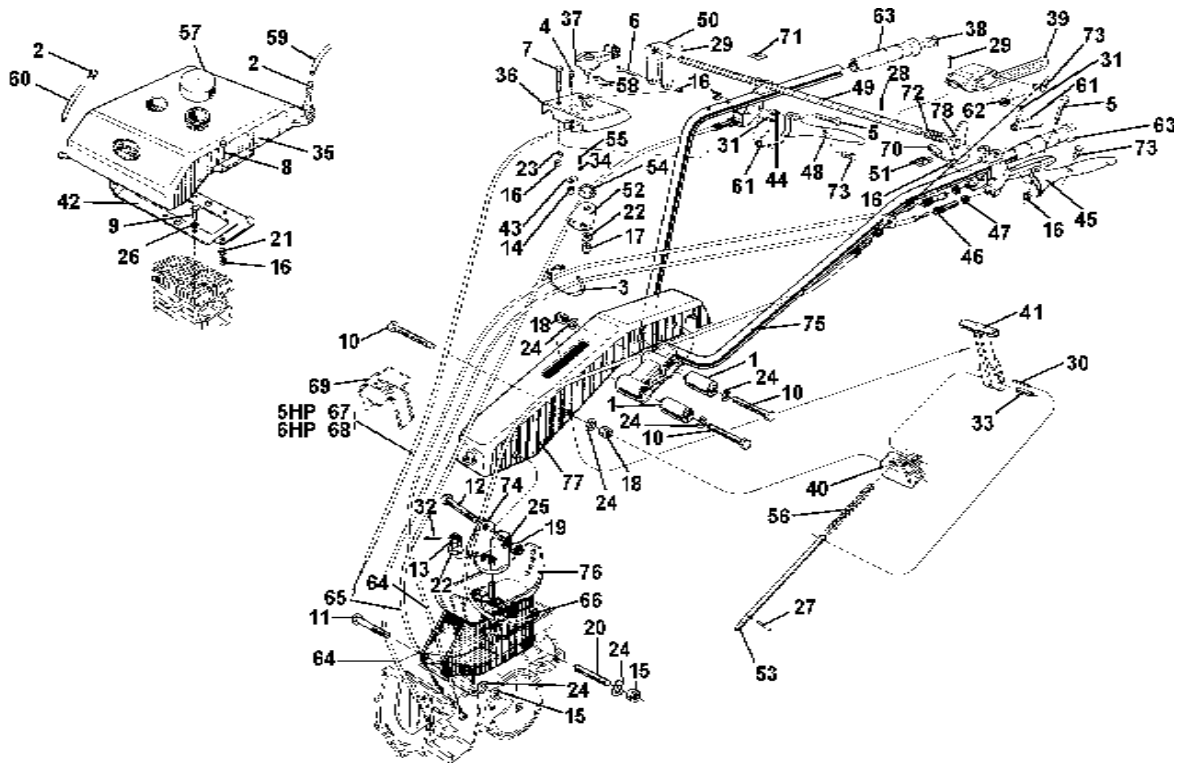
ID	PARTNO	DESCRIPTION	DENOMINACION	NOTES
1	300.21008	CLAMP	BRIDA	
2	311.11089	SCREW M5 X 10	TORNILLO M5 X 10	
3	311.12089	SCREW M6 X 25	TORNILLO M6 X 25	
4	311.12092	SCREW M6 X 35	TORNILLO M6 X 35	
5	311.12093	SCREW M6 X 20	TORNILLO M6 X 20	
6	311.12157	SCREW M8 X 50	TORNILLO M8 X 50	
7	311.12215	SCREW M10 X 60	TORNILLO M10 X 60	
8	312.01212	NUT, HEX INT. M12 UNI 5593 6S	TUERCA HEX. INT. M12 UNI 5593 6S	
9	312.11050	NUT M5	TUERCA M5	
10	312.11100	NUT M10	TUERCA M10	
11	312.41060	NUT, SELF LOCKING M6	TUERCA AUTOBLOC. M6	
12	312.41083	NUT, SELF LOCKING M8	TUERCA AUTOBLOC. M8	
13	312.41120	NUT, SELF LOCKING M12	TUERCA AUTOBLOC. M12	
14	313.12107	STUD	PRISIONERO	
15	314.11064	WASHER, FLAT 6.4	ARANDELA PLANA 6.4	
16	314.11130	WASHER, FLAT 13	ARANDELA PLANA 13	
17	314.22064	WASHER, LOCK 6.4	ARANDELA DE RES. 6.4	
18	314.23105	WASHAER, LOCK 10.5	ARANDELA DE RES. 10.5	
19	314.23130	WASHER, LOCK 13	ARANDELA DE RES. 13	
20	342.11060	PIN, LOCKING 6 X 20 DIN 1481	ESPINA DE RES. 6 X 20 DIN 1481	
21	342.13022	PIN, LOCKING SW 3 X 22 SPIRAL	ESPINA DE RES. SW 3 X 22 ESPIRAL	
22	379.10832	BALL 1/4 RIV RB 6.35	BOLA 1/4 RIV RB 6.35	
23	551.42076	KNOB	POMO	
24	552.50184	GASOLINE TANK	TANQUE GASOLINA	
25	552.50305	THROTTLE	MANDO GAS	
26	552.50310	THROTTLE LEVER	PALANCA MANDO GAS	
27	561.50185	TANK SUPPORT	SOPORTE TANQUE	
28	561.50332	ADJUSTING SCREW	TORNILLO REGULACION	
29	561.50358	PLATE	PLETINA	
30	561.50361	LEVER SPACER	SEPARADOR PALANCA	
31	561.50363	FORWARD SPEEDS LEVER	PALANCA MARCHAS ADELANTE	
32	561.50367	RING NUT	CASQUILLO	
33	561.50374	REVERSE SPEED LEVER	PALANCA MARCHA ATRAS	
34	563.50306	THROTTLE LEVER	PALANCA MANDO GAS	
35	571.50312	SPRING	MUELLE	



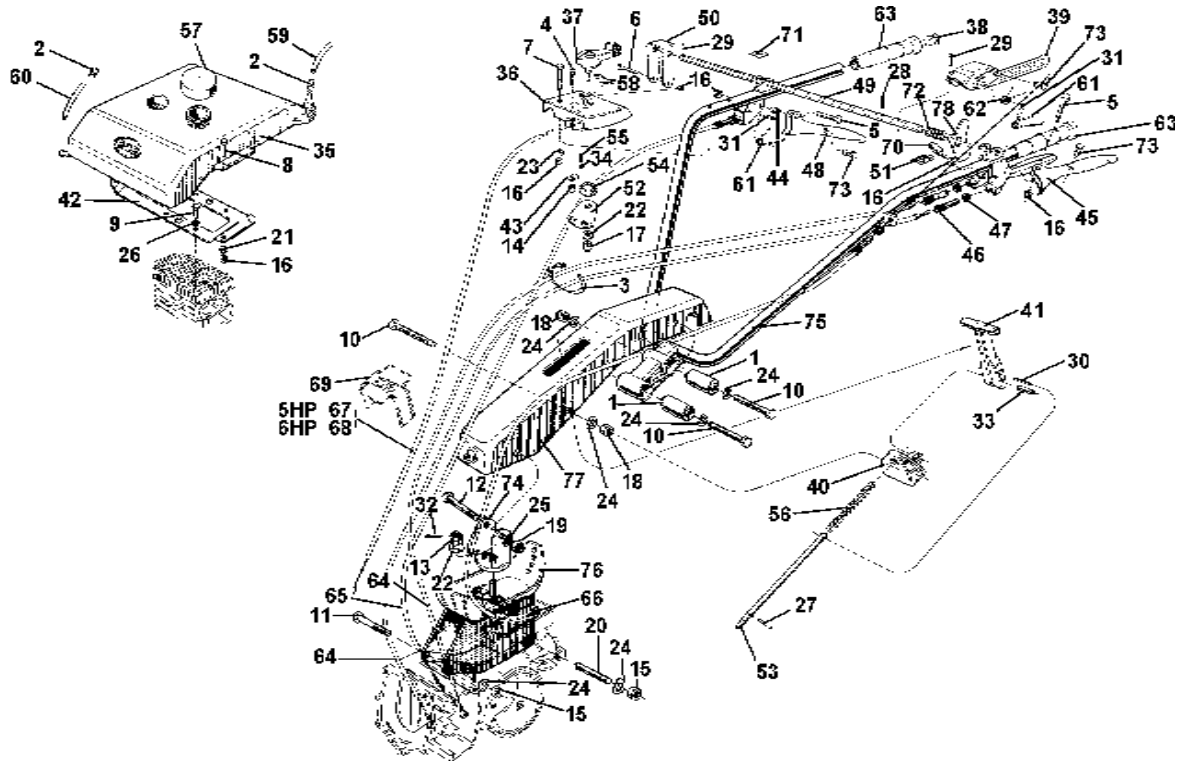
ID	PART NO	DESCRIPTION	DENOMINACION	NOTES
36	580.42059	SPRING	MUELLE	
37	580.43228	SCREW, SPECIAL M12 X 70	TORNILLO ESPECIAL M12 X 70	
38	580.43247	COLUMN SCREW M8 X 40	TORNILLO COLUMNA M8 X 40	
39	580.43248	BEVEL NUT M8	TUERCA CONICA M8	
40	580.50187	GASOLINE TANK CAP	TAPON TANQUE GASOLINA	
41	580.50302	DECAL - SPEED	AUTOADHESIVO - MARCHA	
42	580.50303	PTO DECAL	AUTOADHESIVO TOMA DE FUERZA	
43	580.50327	THROTTLE TRANSFER	AUTOADHESIVO MANDO GAS	
44	580.50329	LONG GASOLINE PIPE	TUBO GASOLINA	
45	580.50330	SHORT GASOLINE PIPE	TUBO GASOLINA	
46	580.50331	THROTTLE CABLE	FILO MANDO GAS	
47	580.50333	SHEATH END	BULON CABLE EMBRAGUE	
48	580.50339	GRIP	MANIVELA	
49	580.50340	DECAL	AUTOADHESIVO	
50	580.50345	LEVER SPRING	PALANCA	
51	580.50396	FORWARD SPEED WIRE	FILO MARCHA ADELANTE	
52	580.50397	REVERSE SPEED WIRE	FILO MARCHA ATRA	
53	580.50398	PTO CABLE	FILO TOMA DE FUERZA	
54	581.50313	BARREL	PASADOR	
55	590.50347	STEERING COLUMN	COLUMNA MANUBRIO	
56	590.50378	CUP	TAPON	
57	590.50383	HANDLEBAR SUPPORT	SOPORTE MANILLAR	
58	590.50388	HANDLEBAR	MANILLAR	



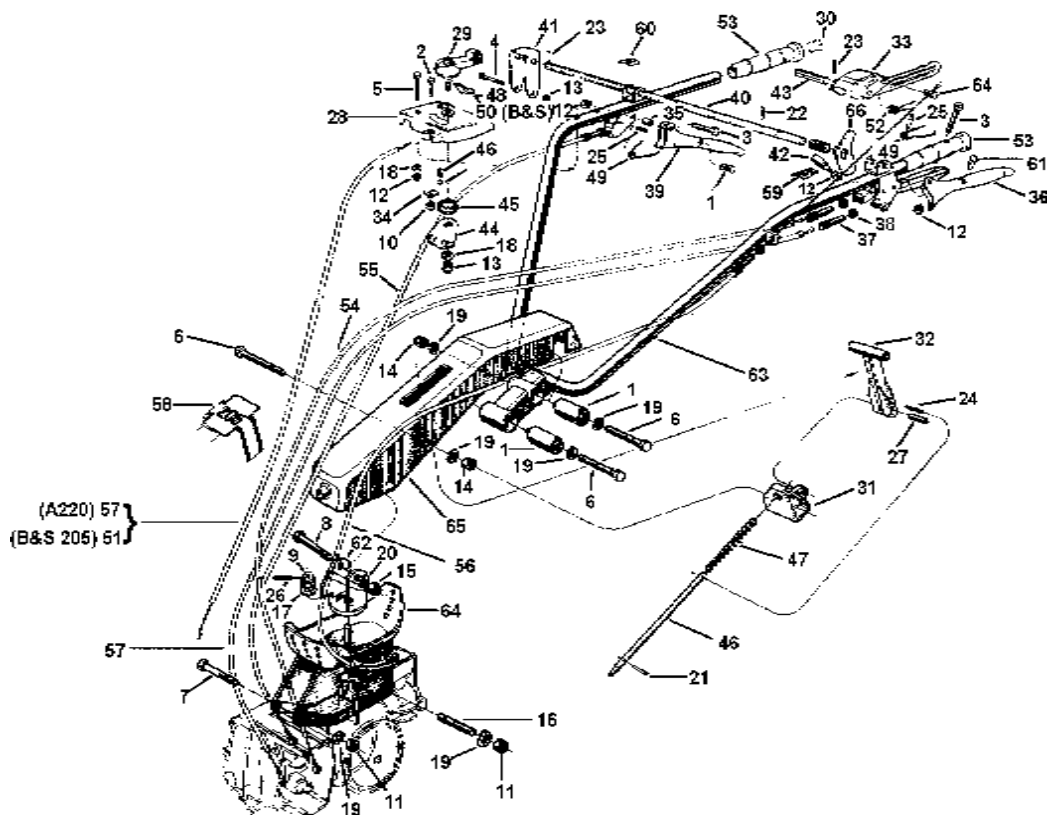
ID	PARTNO	DESCRIPTION	DENOMINACION	NOTES
1	300.10103	SILENTBLOCK	SILENTBLOC	
2	300.21008	CLAMP	BRIDA	
3	300.22091	COLLAR	COLLARIN	
4	311.11089	SCREW M5 X 10	TORNILLO M5 X 10	
5	311.12089	SCREW M6 X 25	TORNILLO M6 X 25	
6	311.12091	SCREW M6 X 40	TORNILLO M6 X 40	
7	311.12092	SCREW M6 X 35	TORNILLO M6 X 35	
8	311.12093	SCREW M6 X 20	TORNILLO M6 X 20	
9	311.12157	SCREW M8 X 50	TORNILLO M8 X 50	
10	311.12217	SCREW TE M10 X 80 UNI 5739 8G	TORNILLO TE M10 X 80 UNI 5739 8G	
11	311.12225	SCREW	TORNILLO	
12	311.12294	SCREW	TORNILLO	
13	312.01212	NUT, HEX. INT. M12 UNI 5593 6S	TUERCA HEX. INT. M12 UNI 5593 6S	
14	312.11050	NUT M5	TUERCA M5	
15	312.11100	NUT M10	TUERCA M10	
16	312.41060	NUT, SELF LOCKING M6	TUERCA AUTOBLOC. M6	
17	312.41083	SELF LOCKING NUT M8	TUERCA M8	
18	312.41100	NUT, SELF LOCKING M10	TUERCA AUTOBLOC. M10	
19	312.41120	NUT, SELF LOCKING M12	TUERCA AUTOBLOC. M12	
20	313.12107	STUD	PRISIONERO	
21	314.11064	WASHER, FLAT 6.4	ARANDELA PLANA 6.4	
22	314.11130	WASHER, FLAT 13	ARANDELA PLANA 13	
23	314.22064	WASHER, LOCK 6.4	ARANDELA DE RES. 6.4	
24	314.23105	WASHER, LOCK 10.5	ARANDELA DE RES. 10.5	
25	314.23130	WASHER, LOCK 13	ARANDELA DE RES. 13	
26	314.24084	WASHER, LOCK 8.4	ARANDELA DE RES. 8.4	
27	342.11028	PIN, LOCKING	ESPINA DE RESISTENCIA	
28	342.11029	PIN, LOCKING	ESPINA DE RESISTENCIA	
29	342.11040	PIN, LOCKING 4 X 20	ESPINA DE RESISTENCIA 4 X 20	29 - USED ON UNITS STARTING AT SERIAL NUMBER 62105.
30	342.11041	PIN, LOCKING 4 X 35	ESPINA DE RESISTENCIA 4 X 35	
31	342.11060	PIN, LOCKING 6 X 20 DIN 1481	ESP. DE RES. 6 X 20 DIN 1481	
32	342.13022	PIN, LOCKING SW 3 X 22 SPIRAL	ESP. DE RES. SW 3 X 22 ESPIRAL	
33	342.21070	PARALLEL PIN	ESPINA CILINDRICA	
34	379.10832	BALL 1/4 RIV RB 6.35	BOLA 1/4 RIV RB 6.35	
35	552.50196	GASOLINE TANK BCS	TANQUE GASOLINA BCS	



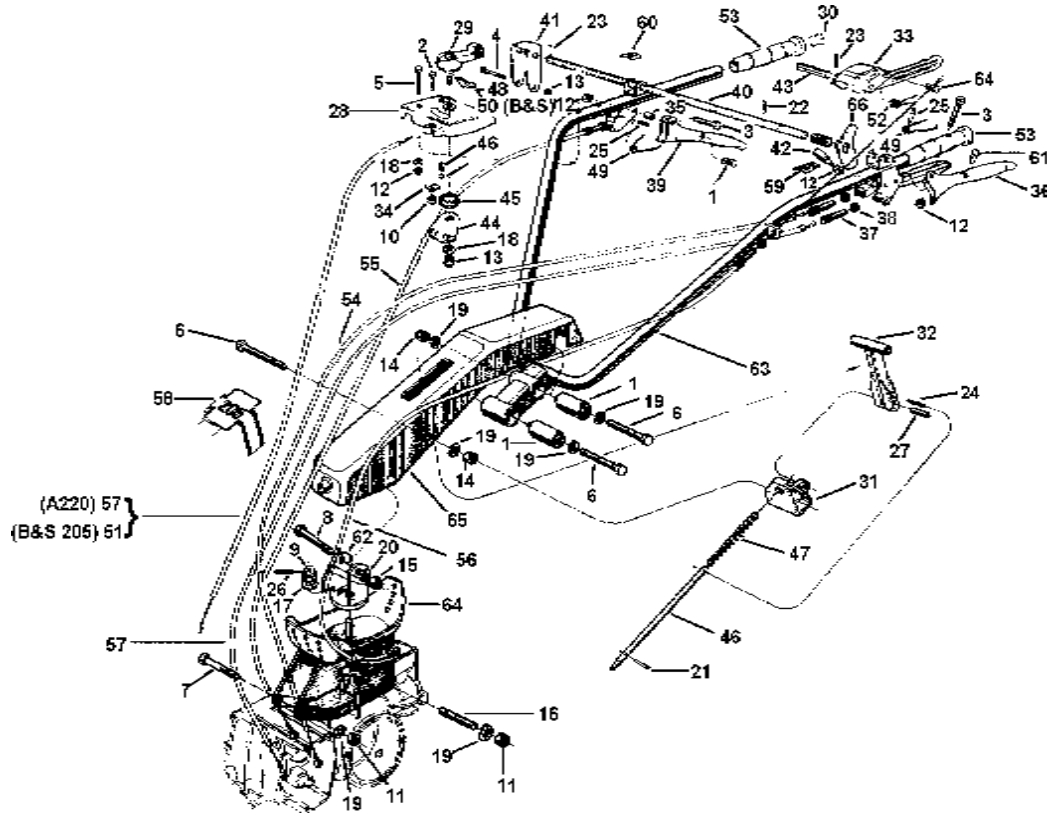
ID	PART NO	DESCRIPTION	DENOMINACION	NOTES
36	552.50305	THROTTLE	MANDO GAS	38 - USED ON UNITS STARTING AT SERIAL NUMBER 62105.
37	552.50310	THROTTLE LEVER	PALANCA MANDO GAS	
38	552.51634	PLUG D 20	TAPON D 20	
39	552.51699	P.T.O. LEVER	PALANCA TOMA DE FUERZA	
40	552.51686	LEVER SUPPORT	SOPORTE PALANCA	
41	552.51688	ADJUSTING LEVER	PALANCA DE REGULACION	
42	561.50185	TANK SUPPORT	SOPORTE TANQUE	
43	561.50358	PLATE	PLETINA	
44	561.50361	LEVER SPACER	SEPARADOR PALANCAS	
45	561.50363	FORWARD SPEEDS LEVER	PALANCA MARCHAS ADELANTE	
46	561.50365	ADJUSTING SCREW 10 X 1	TORNILLO REGULACION M10 X 1	
47	561.50367	RING NUT	CASQUILLO	
48	561.50374	REVERSE SPEED LEVER	PALANCA MARCHA ATRAS	
49	561.51660	HEXAGONAL BAR	BARRA	
50	561.51663	REVERSE SPEED LEVER STOP	CONTRASTE PALANCA MARCHA ATRA	
51	561.51695	STOP PIN	PASADOR DE CONTRASTE	
52	563.50306	THROTTLE LEVER	PALANCA MANDO GAS	
53	563.51685	HANDLEBAR POSITION ROD	VARILLA MANILLAR	
54	571.50312	SPRING	MUELLE	
55	580.42059	SPRING	MUELLE	
56	580.42219	SPRING	MUELLE	
57	580.50198	GASOLINE TANK CAP	TAPON TANQUE GASOLINA	
58	580.50327	THROTTLE TRANSFER	AUTOADHESIVO MANDO GAS	
59	580.50329	LONG GASOLINE PIPE	TUBO GASOLINA	
60	580.50330	SHORT GASOLINE PIPE	TUBO GASOLINA	
61	580.50345	LEVER SPRING	PALANCA	
62	580.51662	P.T.O. LEVER SPRING	MUELLE PALANCA TOMA DE FUERZA	
63	580.51665	KNOB	MANILLA	
64	580.51675	FORWARD SPEED WIRE	FILO MARCHA ADELANTE	
65	580.51676	REVERSE SPEED WIRE	FILO MARCHA ATRA	
66	580.51677	P.T.O. WIRE	FILO TOMA DE FUERZA	
67	580.51678	GAS WIRE AND SHEATH	FILO Y VAINA GAS	
68	580.51679	THROTTLE CABLE	CABLE MANDO GAS	
69	580.51691	TRANSFER FOR 205	ADHESIVO 205	
70	580.51692	SPEEDS/P.T.O. TRANSFER	ADHESIVO MARCHAS/T.D.F.	



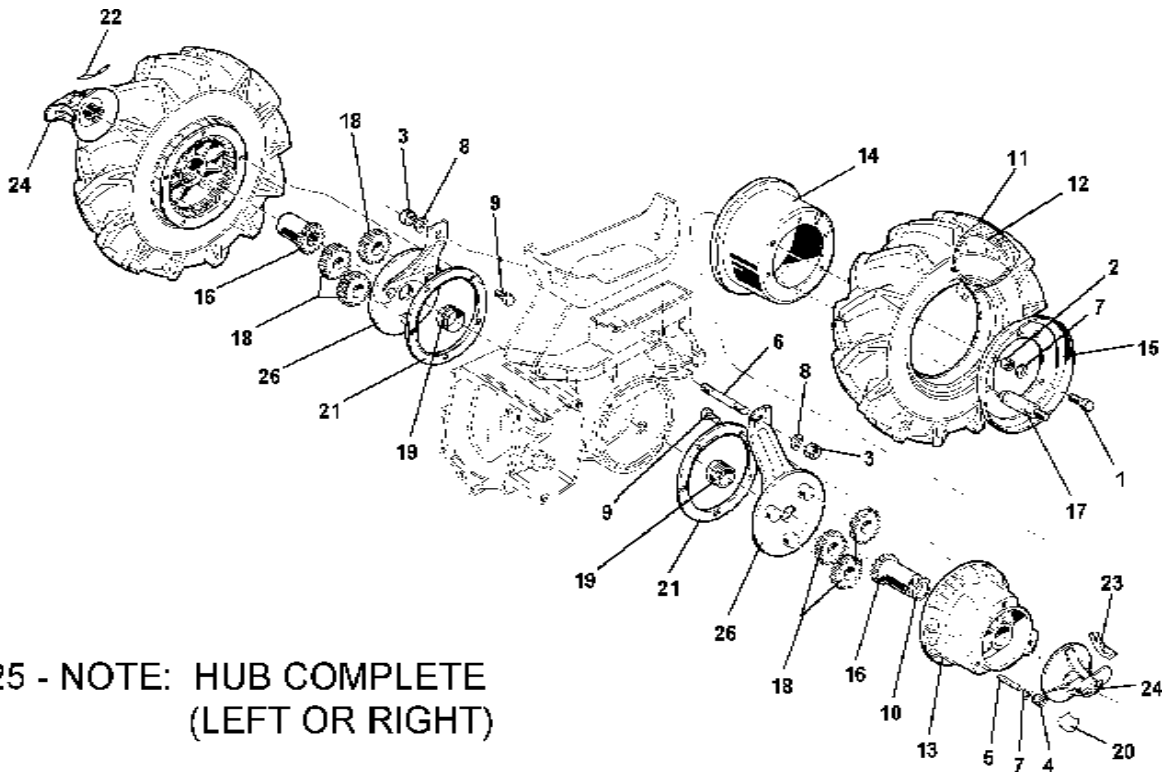
ID	PARTNO	DESCRIPTION	DENOMINACION	NOTES
71	580.51693	REVERSE SPEED TRANSFER	ADHESIVO MARCHA ATRA	
72	580.51697	SPRING	MUELLE	
73	581.50313	BARREL	PASADOR	
74	590.50383	HANDLEBAR SUPPORT	SOPORTE MANILLAR	
75	590.51655	HANDLEBAR WITH SILENTBLOCK	MANILLAR CON SILENTBLOC	
76	590.51680	HANDLEBAR HOUSING	ATAQUE MANILLAR	
77	590.51682	HANDLEBAR STEERING COLUMN	COLUMNA MANILLAR	
78	590.51694	P.T.O. LEVER STOP	CONTRASTE PALANCA T.D.F.	



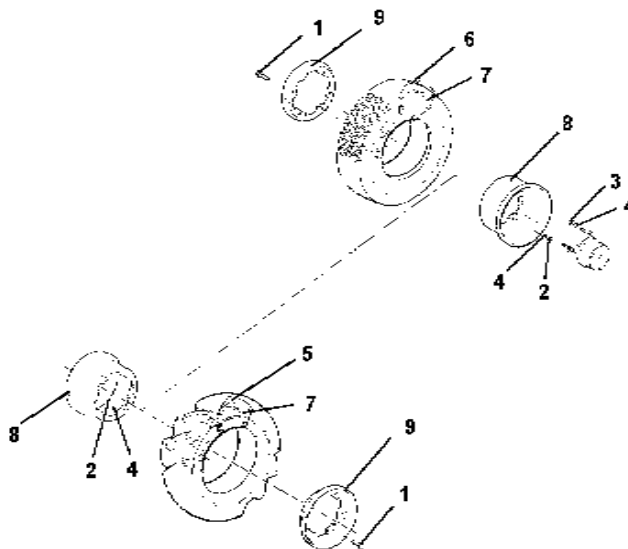
ID	PARTNO	DESCRIPTION	DENOMINACION	NOTES
1	300.10103	HANDLEBAR SPACERS	SILENTBLOC	
2	311.11089	SCREW M5 X 10	TORNILLO M5 X 10	
3	311.12089	HEX HEAD BOLT, M6 X 25	TORNILLO M6 X 25	
4	311.12091	HEX HEAD BOLT, M6 X 40	TORNILLO M6 X 40	
5	311.12092	SCREW, M6 X 35	TORNILLO M6 X 35	
6	311.12217	HEX HEAD BOLT, M10 X 80 UNI	TORNILLO TE M10 X 80 UNI 5739 8G	
7	311.12225	HEX HEAD BOLT	TORNILLO	
8	311.12294	HEX HEAD BOLT, M12 X 85	TORNILLO M12 X 85	
9	312.01212	HEX NUT, SELF LOCKING M12	TUERCA HEX. INT. M12	
10	312.11050	HEX NUT, M5	TUERCA M5	
11	312.11100	HEX HEAD NUT, M10	TUERCA M10	
12	312.41060	HEX NUT, SELF LOCKING M6	TUERCA AUTOBLOC. M6	
13	312.41080	HEX NUT, SELF LOCKING M8	TUERCA AUTOBLOC. M8	
14	312.41100	HEX NUT, SELF LOCKING M10	TUERCA HEX. INT. M10	
15	312.41120	HEX NUT, SELF LOCKING M12	TUERCA AUTOBLOC. M12	
16	313.12107	STUD	PRISIONERO	
17	314.11130	SPRING WASHER	ARANDELA 13	
18	314.22064	WAVE WASHER	ARANDELA DE RES.	
19	314.23105	WAVE WASHER, 10.5	ARANDELA DE RES. 10.5	
20	314.23130	WAVE WASHER, 13	ARANDELA DE RES. 13	
21	342.11028	PIN, LOCKING	ESPINA DE RESISTENCIA	
22	342.11029	SPRING PIN	ESPINA DE RESISTENCIA	
23	342.11040	PIN, LOCKING 4 X 20	ESPINA DE RESISTENCIA 4 X 20	
24	342.11041	PIN, LOCKING 4 X 35	ESPINA DE RESISTENCIA 4 X 35	
25	342.11060	PIN, LOCKING 6 X 20	ESPINA DE RESISTENCIA 6 X 20	
26	342.13022	PIN, LOCKING 3 X 22	ESPINA DE RESISTENCIA 3 X 22	
27	342.21070	PIN	ESPINA CILINDRIC	
28	552.50305	THROTTLE CONTROL COVER	MANDO GAS	
29	552.50310	THROTTLE LEVER	PALANCA MANDO GAS	
30	552.51634	PLUG	TAPON	
31	552.51686	SUPPORT, ROD	SOPORTE PALANCA	
32	552.51688	ADJUSTING LEVER	PALANCA DE REGULACION	
33	552.51699	PTO LEVER	PALANCA TOMA DE FUERZA	
34	561.50358	PLATE	PLETINA	
35	561.50361	SPACER, LEVER	SEPARADOR PALANCAS	



ID	PARTNO	DESCRIPTION	DENOMINACION	NOTES
36	561.50363	DRIVE WHEEL LEVER	PALANCA MARCHAS ADELANTE	
37	561.50365	ADJUSTING SCREW	TORNILLO REGULACION	
38	561.50367	ADJUSTING NUT	CASQUILLO	
39	561.50374	LEVER, REVERSE	PALANCA MARCHA ATRAS	
40	561.51660	BAR, HEXAGONAL	BARRA	
41	561.51663	REVERSE SPEED LEVER STOP	CONTRASTE PALANCA MARCHA ATRA	
42	561.51695	STOP PIN	PASADOR DE CONTRASTE	
43	561.51718	PIN, HEXAGONAL	PERNO HEXAGONAL	
44	563.50306	QUADRANT, THROTTLE CONTROL	PALANCA MANDO GAS	
45	571.50312	SPRING WASHER	MUELLE	
46	580.42059	SPRING THROTTLE CONTROL	MUELLE	
47	580.42219	SPRING, ROD	MUELLE	
48	580.50327	DECAL, THROTTLE CONTROL (ACME)	AUTOADHESIVO MANDO GAS (ACME)	
49	580.50345	SPRING, CLUTCH LEVER	PALANCA	
50	580.51601	DECAL, THROTTLE CONTROL (B & S)	AUTOADHESIVO MANDO GAS (B & S)	
51	580.51603	CABLE, THROTTLE CONTROL (B & S)	CABLE MANDO GAS (B & S)	
52	580.51662	PTO LEVER SPRING	MUELLE PALANCA TOMA DE FUERZA	
53	580.51665	COVER, HANDLEBAR	MANILLA	
54	580.51675	CABLE, FORWARD WHEEL DRIVE	FILO MARCHA ADELANTE	
55	580.51676	CABLE, REVERSE WHEEL DRIVE	FILO MARCHA ATRA	
56	580.51677	CABLE, PTO ENGAGEMENT	FILO TOMA DE FUERZA	
57	580.51679	CABLE, THROTTLE CONTROL (ACME)	CABLE MANDO GAS (ACME)	
58	580.51691	DECAL (205)	AUTOADHESIVO (205)	
59	580.51692	DECAL, FORWARD SPEEDS/PTO	ADHESIVO MARCHAS/T.D.F.	
60	580.51693	DECAL, REVERSE	ADHESIVO MARCHA ATRA	
61	581.50313	BARREL, PTO CABLE	PASADOR	
62	590.50383	HANDLEBAR SUPPORT	SOPORTE MANILLAR	
63	590.51655	HANDLEBAR	SOPORTE MANILLAR	
64	590.51680	HANDLEBAR ANCHOR	ATAQUE MANILLAR	
65	590.51682	STEERING COLUMN	COLUMNA MANILLAR	
66	590.51694	PTO LEVER STOP	CONTRASTE PALANCA T.D.F.	



ID	PARTNO	DESCRIPTION	DENOMINACION	NOTES
1	311.12149	SCREW M8 X 12	TORNILLO M8 X 12	
2	312.11080	NUT M8	TUERCA M8	
3	312.11100	NUT M10	TUERCA M10	
4	312.21080	NUT, HIGH M8 UNI 5587-5S	TUERCA ALTA M8 UNI 5587-5S	
5	313.12078	STUD M8 X 32 X 14 X 14	PRISIONERO M8 X 32 X 14 X 14	
6	313.12107	STUD	PRISIONERO	
7	314.23084	WASHER, LOCK 8.4	ARANDELA DE RES. 8.4	
8	314.23105	WASHER, LOCK 10.5	ARANDELA DE RES. 10.5	
9	315.10062	SCREW M6 X 15	TORNILLO M6 X 15	
10	381.13305	O-RING 2131	OR 2131	
11	391.13500	TIRE 3.50-6	CUBIERTA 3.50-6	
12	394.14007	TUBE 4.10/3.50-6	CAMARA DE AIRE 4.10/3.50-6	
13	531.50492	HUB FOR REDUCTION UNIT WHEEL	CUBO REDUCTOR RUEDA	
14	561.50466	INSIDE SEMICIRCLE FOR WHEEL 6	SEMICIRCULO INT. RUEDA 6	
15	561.50467	OUTSIDE SEMICIRCLE WHEEL 6	SEMICIRCULO EXT. RUEDA 6	
16	561.50468	WHEEL CROWN	PLANETARIO	
17	561.50473	WHEEL EXTENSION	PROLONGACION RUEDA	
18	572.50477	PLANETARY GEAR	SATELITE	
19	580.50424	REDUCER GASKET	GUARNICION REDUCTOR	
20	580.50493	FLANGE TRANSFER	AUTOADHESIVOBRIDA	
21	580.50495	PROTECTION DISC	DISCO DE PROTECCION	
22	580.50496	TRANSFER FOR RIGHT FLANGE	AUTOADHESIVO PARA BRIDA DER.	
23	580.50497	TRANSFER FOR LEFT FLANGE	AUTOADHESIVO PARA BRIDA IZQ.	
24	590.50486	R.H. FLANGE	BRIDA DERECHA	
25	592.50469	HUB COMPLETE	CUBO COMPLETO	
26	592.50494	FLANGE WITH GASKET	BRIDA CON GUARNICION	



ID	PARTNO	DESCRIPTION	DENOMINACION	NOTES
1	311.12149	SCREW M8 X 12	TORNILLO M8 X 12	
2	312.11080	NUT M8	TUERCA M8	
3	312.21080	NUT, HIGH M8 UNI 5587-5S	TUERCA ALTA M8 5587-5S	
4	314.23084	WASHER, LOCK 8.4	ARANDELA DE RES. 8.4	
5	391.13500	TIRE 3.50-6	CUBIERTA 3.50-6	
6	391.14007	TIRE 4.10/3.50-6	CUBIERTA NEUM. 4.10/3.50-6	
7	394.14007	TUBE 4.10/3.50-6	CAMARA DE AIRE 4.10/3.50-6	
8	561.50466	INSIDE SEMICIRCLE FOR WHEEL 6	SEMICIRCULO INT. RUEDA 6	
9	561.50467	OUTSIDE SEMICIRCLE WHEEL 6	SEMICIRCULO EXT. RUEDA 6	