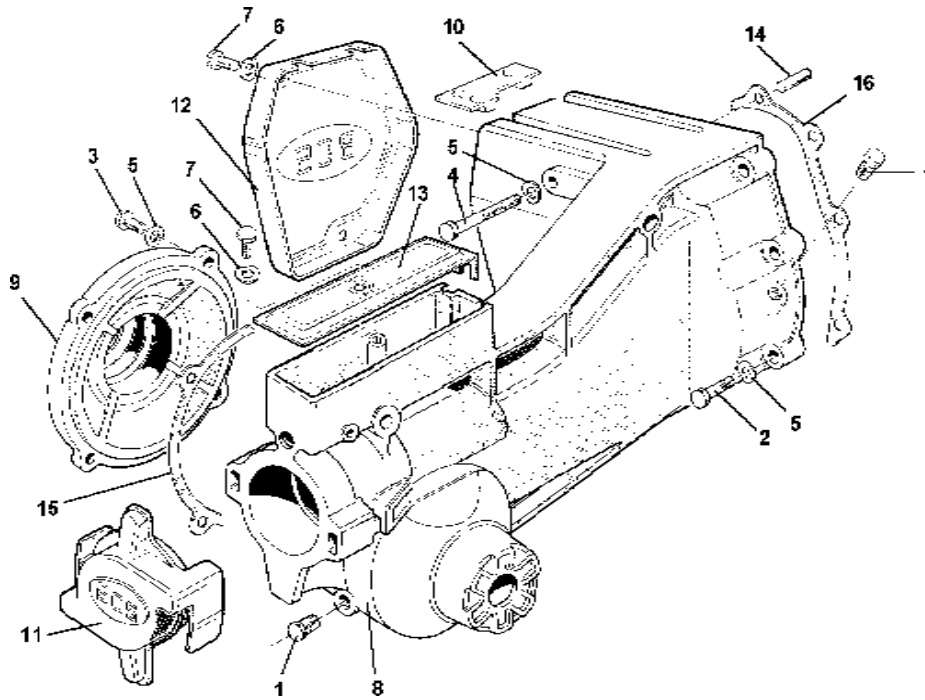
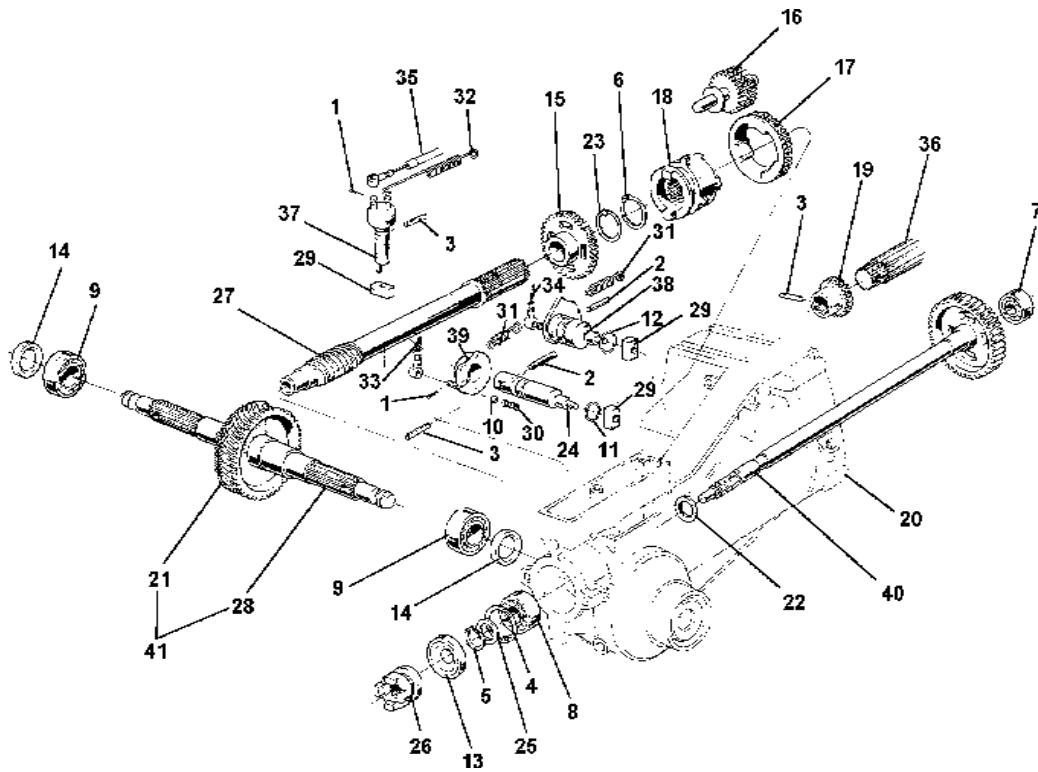




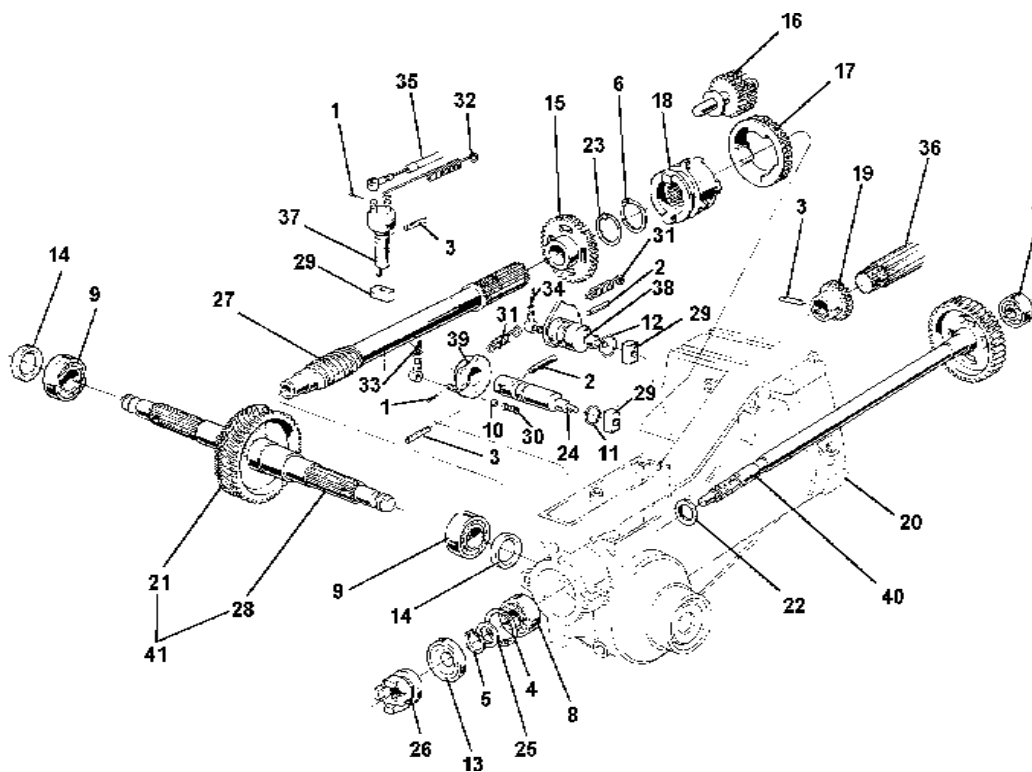
A M E R I C A



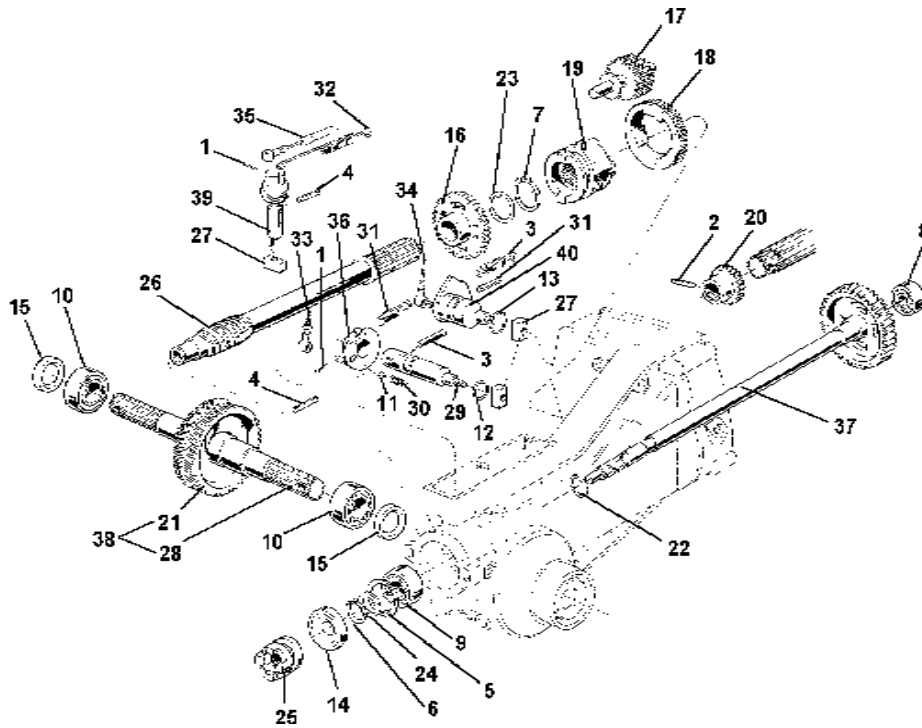
ID	PARTNO	DESCRIPTION	DENOMINACION	NOTES
1	300.40001	PLUG 1/4 GAS	TAPON 1/4 GAS	
2	311.12086	SCREW	TORNILLO	
3	311.12093	SCREW M6 X 20	TORNILLO M6 X 20	
4	311.12096	SCREW M6 X 85	TORNILLO M6 X 85	
5	314.22064	WASHER, LOCK 6.4	ARANDELA DE RES. 6.4	
6	314.23053	WASHER, LOCK 5.3	ARANDELA DE RES. 5.3	
7	315.10052	SCREW M5 X 10	TORNILLO M5 X 10	
8	531.50201	GEARBOX	CAJA DE CAMBIO	
9	531.50202	GEARBOX COVER	TAPA CAJA CAMBIO	
10	551.50272	CABLE PROTECTION	PROTECCION CABLES	
11	552.50266	IMPL. COUPLING PROTECTION	PROTECCION	
12	561.50263	SIDE COVER	TAPA LATERAL	
13	561.50265	UPPER COVER	TAPA SUPERIOR	
14	580.43053	PARALLEL PIN D 6 X 20	ESPINA CIL. D 6 X 20	
15	580.50203	COVER GASKET	GUARNICION TAPA	
16	580.50251	GEARBOX GASKET	GUARNICION CAJA CAMBIO	



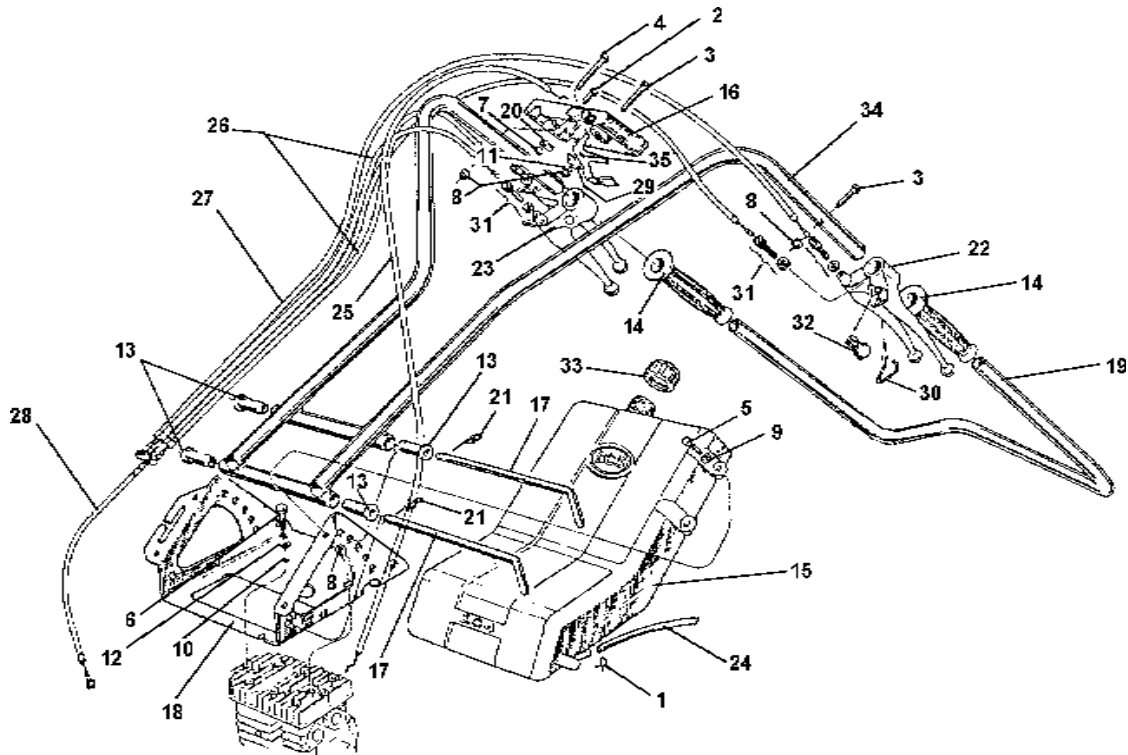
ID	PARTNO	DESCRIPTION	DENOMINACION	NOTES
1	341.10020	PIN, COTTER 2 X 12	PASADOR 2 X 12	
2	342.13054	PIN, LOCKING SW 5 X 24 SPIRAL	ESPINA DE RES. SW 5 X 24 ESPIRAL	
3	342.13055	PIN, LOCKING 5 X 30 SPIRAL	ESPINA DE RES. 5 X 30 ESPIRAL	
4	351.11047	CIRCLIP, INTERN. D 47	SEEGER INT. D 47	
5	351.21020	CIRCLIP, EXTERN. D 20	SEEGER EXT. D 20	
6	351.21028	CIRCLIP, EXT. D 28	SEEGER EXT. D 28	
7	371.11120	BEARING 12 X 37 X 12 6301	COJINETE 12 X 37 X 12 6301	
8	371.11201	BEARING 20 X 47 X 14 6204	COJINETE 20 X 47 X 14 6204	
9	371.11255	BEARING 25 X 52 X 15 6205	COJINETE 25 X 52 X 15 6205	
10	379.11532	BALL 15/32 RIV RB-11.906	BOLA 15/32 RIV RB-11.906	
11	381.11508	O-RING 119 15.08 X 2.62	OR 119 15.08 X 2.62	
12	381.12022	O-RING 4081 20.22 X 3.53	OR 4081 20.22 X 3.53	
13	382.11503	OIL SEAL 15 X 50 X 7	CHAPA RET. ACEITE 15 X 50 X 7	
14	382.12500	OIL SEAL 25 X 40 X 7	CHAPA RET. ACEITE 25 X 40 X 7	
15	524.50226	IDLE GEAR	ENGRANAJE	
16	524.50245	REVERSE SPEED GEAR	ENGRANAJE	
17	524.50247	SLIDING GEAR	ENGRANAJE ESCURRIDIZO	
18	524.50248	SLIDING HUB	CUBO ESCURRIDIZO	
19	524.50254	GEAR FOR HIGH SPEEDS	ENGRANAJE MARCHAS	
20	531.50250	GEARBOX	CAJA CAMBIO	
21	541.50269	GEAR	CORONA	
22	563.50236	STOP WASHER	ARANDELA DE CONTRASTE	
23	563.50238	STOP WASHER	ARANDELA TOPE	
24	563.50249	SPEED CONTROL PIN	PERNO MARCHA	
25	563.50256	WASHER	ARANDELA	
26	564.50212	PTO COUPLING	ACOPLAMIENTO APEROS	
27	564.50268	WORM GEAR	TORNILLO SIN FIN	
28	565.50253	WHEEL SHAFT	EJE RUEDAS	
29	571.50221	BLOCK	PATIN	
30	580.20258	SPRING, GEAR SPEED RELEASE	DISPARO MARCHAS	
31	580.50262	SPEED SPRING	RESORTE MARCHAS	
32	580.50264	PTO SPRING	RESORTE ACOPLAMIENTO	
33	580.50352	CABLE	CABLE	
34	580.50353	CABLE	CABLE	
35	580.50354	CABLE	CABLE	



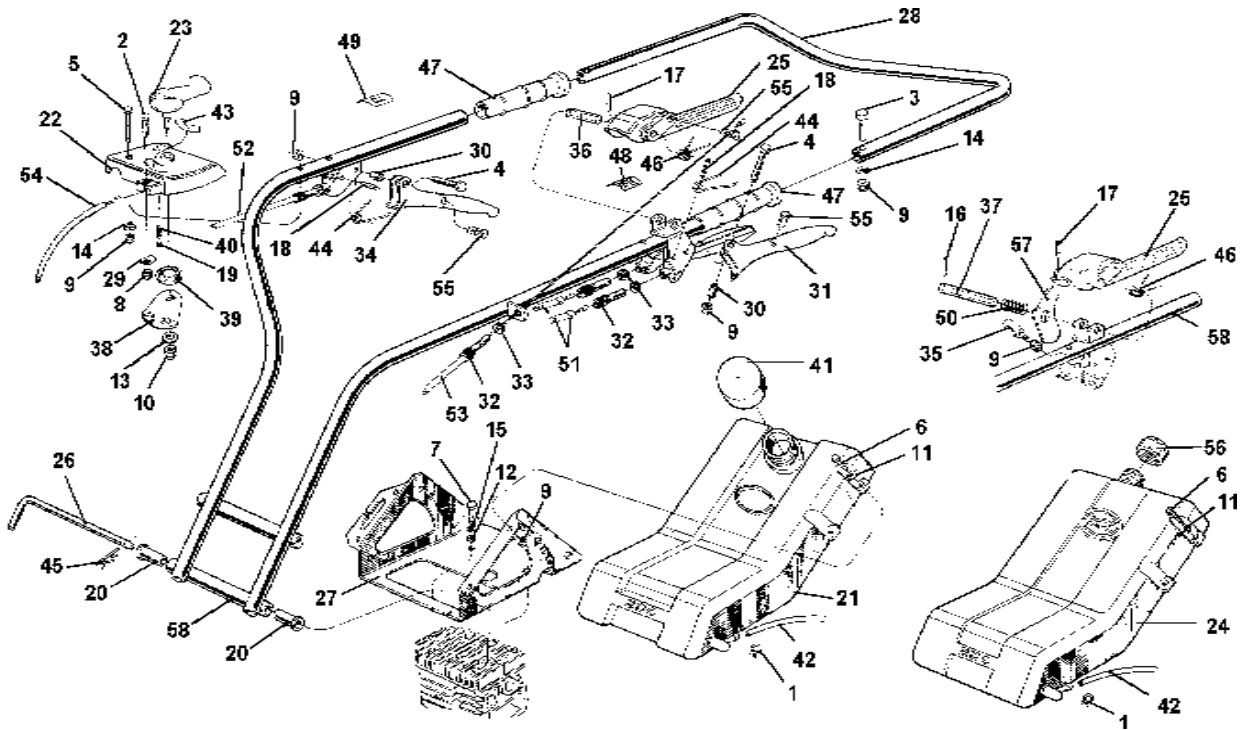
ID	PART NO	DESCRIPTION	DENOMINACION	NOTES
36	581.50013	CRANKSHAFT	ARBOL MOTOR	
37	590.50224	IMPLEMENT PIN	APEROS PERNO	
38	590.50234	PIN REV. SPEED	PERNO PARA MARCHA ATR.	
39	590.50257	FLANGE FOR SPEED PIN	BRIDA - PERNO	
40	590.50259	PTO SHAFT	ARBOL TOMA DE FUERZA	
41	590.50267	WHEEL SHAFT & GEAR	ARBOL RUEDAS Y ENGRANAJE	



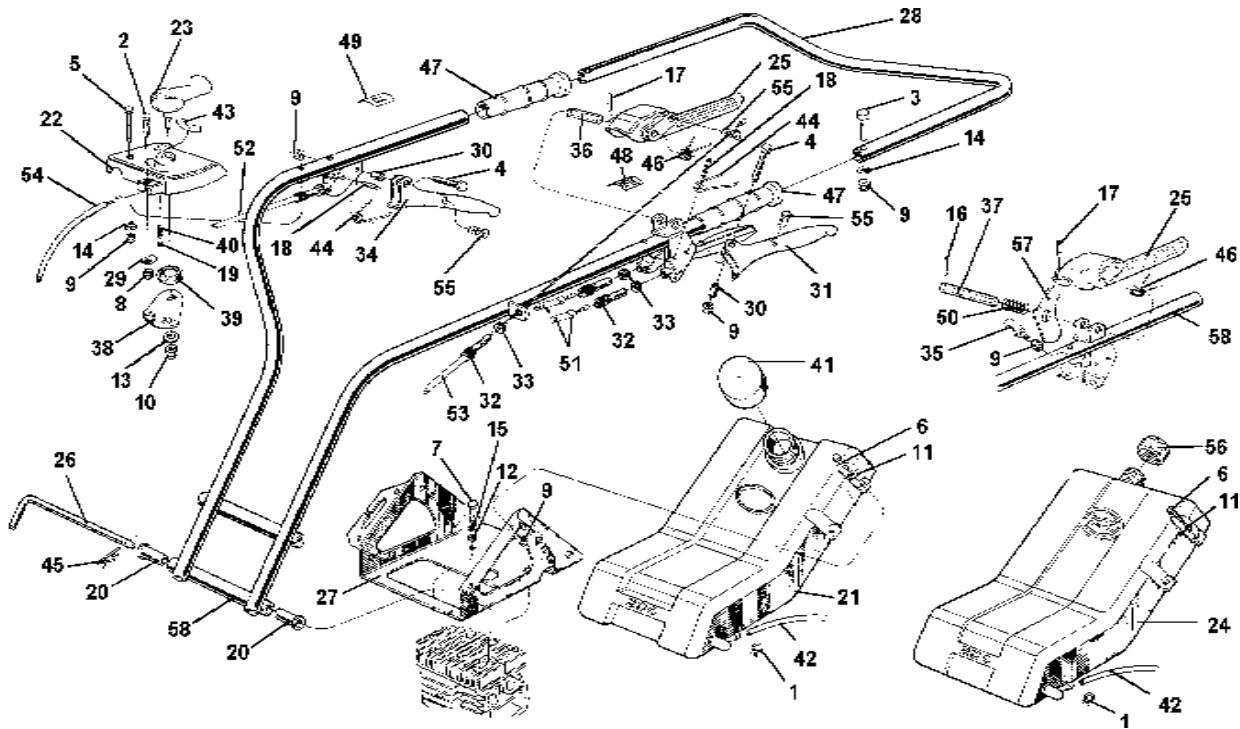
ID	PARTNO	DESCRIPTION	DENOMINACION	NOTES
1	341.10020	PIN, COTTER X 12	PASADOR 2 X 12	
2	342.11054	PIN, LOCKING 5 X 30	ESPINA DE RES. 5 X 30	
3	342.13054	PIN, LOCKING SW 5 X 24 SPIRAL	ESPINA DE RES. SW 5 X 24 ESPIRAL	
4	342.13055	PIN, LOCKING 5 X 30 SPIRAL	ESPINA DE RES. 5 X 30 ESPIRAL	
5	351.11047	CIRCLIP, INTER. D 47	SEEGER INT. D 47	
6	351.21020	CIRCLIP, EXTERN. D 20	SEEGER EXT. D 20	
7	351.21028	CIRCLIP, EXTERN. D 28	SEEGER EXT. D 28	
8	371.11120	BEARING 12 X 37 X 12 6301	COJINETE 12 X 37 X 12 6301	
9	371.11201	BEARING 20 X 47 X 14 6204	BARRA 20 X 47 X 14 6204	
10	371.11255	BEARING 25 X 52 X 15 6205	COJINETE 25 X 52 X 15 6205	
11	379.11532	BALL 15/32 RIV RB-11.906	BOLA 15/32 RIV RB-11.906	
12	381.11508	O-RING 119 15.08 X 2.62	OR 119 15.08 X 2.62	
13	381.12022	O-RING 4081 20.22 X 3.53	OR 4081 20.22 X 3.53	
14	382.11503	OIL SEAL 15 X 50 X 7	CHAPA RET. ACEITE 15 X 50 X 7	
15	382.12500	OIL SEAL 25 X 40 X 7	CHAPA RET. ACEITE 25 X 40 X 7	
16	524.50226	IDLE GEAR	ENGRANAJE	
17	524.50245	REV. SPEED GEAR	ENGRANAJE	
18	524.50247	SLIDING GEAR	ENGRANAJE ESCURRIDIZO	
19	524.50248	SLIDING HUB	CUBO ESCURRIDIZO	
20	524.50254	GEAR FOR HIGH SPEEDS	ENGRANAJE MARCHAS	
21	541.50269	GEAR	CORONA	
22	563.50236	STOP WASHER	ARANDELA DE CONTRASTE	
23	563.50238	STOP WASHER	ARANDELA TOPE	
24	563.50256	WASHER	ARANDELA	
25	564.50212	IMPLEMENT COUPLING	ACOPLAMIENTO APEROS	
26	564.50268	WORM GEAR	TORNILLO SIN FIN	
27	564.50279	SHOE	PATIN	
28	565.50253	WHEEL SHAFT	EJE RUEDAS	
29	565.50278	PIN FOR SPEED CONTROL	PERNO MANDO MARCHAS	
30	580.20258	SPRING, GEAR SPEED RELEASE	DISPARO MARCHAS	
31	580.50262	SPEED SPRING	RESORTE MARCHAS	
32	580.50264	IMPLEMENT COUPLING SPRING	RESORTE ACOPLAMIENTO	
33	580.51714	FORWARD SPEED WIRE	FILO MARCHAS ADELANTE	
34	580.51715	REVERSE SPEED WIRE	FILO MARCHAS ATRA	
35	580.51716	P.T.O. WIRE	FILO TOMA DE FUERZA	



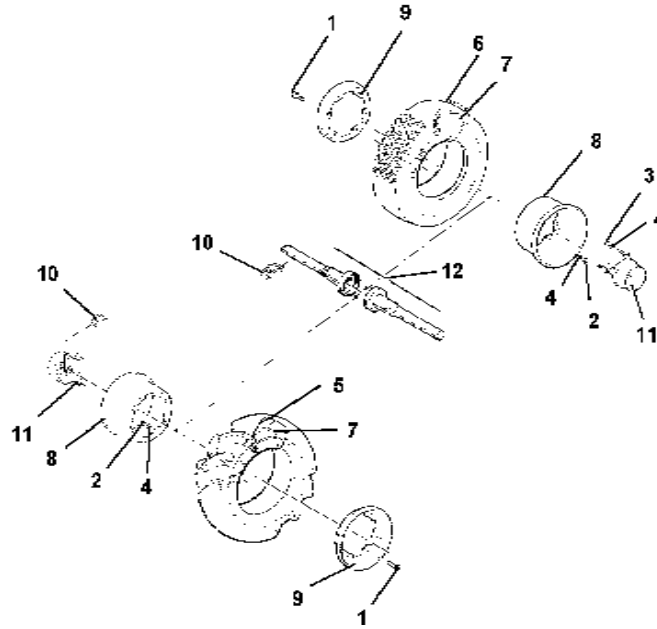
ID	PARTNO	DESCRIPTION	DENOMINACION	NOTES
1	300.21008	CLAMP	BRIDA	
2	311.11089	SCREW M5 X 10	TORNILLO M5 X 10	
3	311.11094	SCREW M6 X 28	TORNILLO M6 X 28	
4	311.12092	SCREW M6 X 35	TORNILLO M6 X 35	
5	311.12093	SCREW M6 X 20	TORNILLO M6 X 20	
6	311.12157	SCREW M8 X 50	TORNILLO M8 X 50	
7	312.11050	NUT M5	TUERCA M5	
8	312.41060	NUT, SELF LOCKING M6	TUERCA AUTOBLOC. M6	
9	314.11064	WASHER, FLAT 6.4	ARANDELA PLANA 6.4	
10	314.11084	WASHER, FLAT 8.4	ARANDELA PLANA 8.4	
11	314.13064	WASHER, FLAT 6.4	ARANDELA PLANA 6.4	
12	314.24084	WASHER, LOCK 8.4	ARANDELA DE RES. 8.4	
13	551.42109	BUSH	CASQUILLO	
14	551.48291	GRIP	MANIVELA	
15	552.50324	GASOLINE TANK	TANQUE GASOLINA	15 - PART NUMBER 552.50324 IS NO LONGER AVAILABLE. REPLACE WITH PART NUMBERS 552.50299 & 580.50198.
16	552.50356	THROTTLE	MANDO GAS	
17	561.50321	PIN	PERNO	
18	561.50322	HANDLEBAR SUPPORT	SOPORTE MANUBRIO	
19	561.50323	HANDLEBAR PROTECCION TUBE	TUBO PROTECCION MANUBRIO	
20	561.50358	PLATE	PLETINA	
21	580.43772	PIN, D 2	PERNO, D 2	
22	580.50308	LEVER	PALANCA	
23	580.50315	LEVER	PALANCA	
24	580.50326	GASOLINE PIPE	TUBO GASOLINA	
25	580.50342	CABLE, THROTTLE	CABLE, GAS	
26	580.50352	CABLE, DRIVE	CABLE MARCHA ADELANTE	
27	580.50353	CABLE, REVERSE	CABLE, MARCHA ATRA	
28	580.50354	CABLE, PTO	CABLE, TOMA DE FUERZA	
29	580.50364	SPRING	MUELLE	
30	581.50307	HOOK	GANCHO	
31	581.50309	ADJUSTING SCREW WITH LOCKNUT	TORNILLO REG. CON TUERCA AUTOBLOC.	
32	581.50313	BARREL	PASADOR	
33	581.50325	GASOLINE TANK CAP	TAPON TANQUE GASOLINA	
34	590.50320	HANDLEBAR	MANILLAR	
35	590.50355	LEVER	PALANCA	



ID	PARTNO	DESCRIPTION	DENOMINACION	NOTES
1	300.21008	CLAMP	BRIDA	
2	311.11089	SCREW M5 X 10	TORNILLO M5 X 10	
3	311.11094	SCREW M6 X 28	TORNILLO M6 X 28	
4	311.12089	SCREW M6 X 25	TORNILLO M6 X 25	
5	311.12092	SCREW M6 X 35	TORNILLO M6 X 35	
6	311.12093	SCREW M6 X 20	TORNILLO M6 X 20	
7	311.12157	SCREW M8 X 50	TORNILLO M8 X 50	
8	312.11050	NUT M5	TUERCA M5	
9	312.41060	NUT, SELF LOCKING M6	TUERCA AUTOBLOC. M6	
10	312.41083	SELF LOCKING NUT M8	TUERCA M8	
11	314.11064	WASHER, FLAT 6.4	ARANDELA PLANA 6.4	
12	314.11084	WASHER, FLAT 8.4	ARANDELA PLANA 8.4	
13	314.11130	WASHER, FLAT 13	ARANDELA PLANA 13	
14	314.22064	WASHER, LOCK 6.4	ARANDELA DE RES. 6.4	
15	314.23084	WASHER, LOCK 8.4	ARANDELA DE RES. 8.4	
16	342.11029	PIN, LOCKING	ESPINA DE RESISTENCIA	
17	342.11040	PIN, LOCKING 4 X 20	ESPINA DE RESISTENCIA 4 X 20	
18	342.11060	PIN, LOCKING 6 X 20 DIN 1481	ESPINA DE RES. 6 X 20 DIN 1481	
19	379.10832	BALL 1/4 RIV RB 6.35	BOLA 1/4 RIV RB 6.35	
20	551.42109	BUSH	CASQUILLO	
21	552.50299	GASOLINE TANK 204	TANQUE GASOLINA 204	
22	552.50305	THROTTLE	MANDO GAS	
23	552.50310	THROTTLE LEVER	PALANCA MANDO GAS	
24	552.50324	GASOLINE TANK	TANQUE GASOLINA	
25	552.51699	P.T.O. LEVER	PALANCA TOMA DE FUERZA	
26	561.50321	PIN	PERNO	
27	561.50322	HANDLEBAR SUPPORT	SOPORTE MANUBRIO	
28	561.50323	HANDLEBAR PROTECTION TUBE	TUBO PROTECCION MANUBRIO	
29	561.50358	PLATE	PLETINA	
30	561.50361	LEVER SPACER	SEPARADOR PALANCAS	
31	561.50363	FORWARD SPEEDS LEVER	PALANCA MARCHAS ADELANTE	
32	561.50365	ADJUSTING SCREW M10 X 1	TORNILLO REGULACION M10 X 1	
33	561.50367	RING NUT	CASQUILLO	
34	561.50374	REVERSE SPEED LEVER	PALANCA MARCHA ATRAS	
35	561.51695	STOP PIN	PASADOR DE CONTRASTE	



ID	PARTNO	DESCRIPTION	DENOMINACION	NOTES
36	561.51718	SHORT HEXAGONAL PIN	PERNO HEXAGONAL	
37	561.51719	HEXAGONAL PIN	PERNO HEXAGONAL	
38	563.50306	THROTTLE LEVER	PALANCA MANDO GAS	
39	571.50312	SPRING	MUELLE	
40	580.42059	SPRING	MUELLE	
41	580.50198	GASOLINE TANK CAP	TAPON TANQUE GASOLINA	
42	580.50326	GASOLINE PIPE	TUBO GASOLINA	
43	580.50327	THROTTLE TRANSFER	AUTOADHESIVO MANDO GAS	
44	580.50345	LEVER SPRING	PALANCA	
45	580.50533	PIN	PASADOR	
46	580.51662	P.T.O. LEVER SPRING	MUELLE PALANCA TOMA DE FUERZA	
47	580.51665	KNOB	MANILLA	
48	580.51692	SPEEDS/P.T.O. TRANSFER	ADHESIVO MARCHAS/T.D.F.	
49	580.51693	REVERSE SPEED TRANSFER	ADHESIVO MARCHA ATRA	
50	580.51697	SPRING	MUELLE	
51	580.51714	FORWARD SPEED WIRE	FILO MARCHAS ADELANTE	
52	580.51715	REVERSE SPEED WIRE	FILO MARCHAS ATRA	
53	580.51716	P.T.O. WIRE	FILO TOMA DE FUERZA	
54	580.51717	GAS WIRE AND SHEATH	CABLE Y VAINA GAS	
55	581.50313	BARREL	PASADOR	
56	581.50325	GASOLINE TANK CAP	TAPON TANQUE GASOLINA	
57	590.51694	P.T.O. LEVER STOP	CONTRASTE PALANCA T.D.F.	
58	590.51710	HANDLEBAR	MANILLAR	



ID	PART NO	DESCRIPTION	DENOMINACION	NOTES
1	311.12149	SCREW M8 X 12	TORNILLO M8 X 12	
2	312.11080	NUT M8	TUERCA M8	
3	312.21080	NUT, HIGH M8 UNI 5587-5S	TUERCA ALTA M8 UNI 5587-5S	
4	314.23084	WASHER, LOCK 8.4	ARANDELA DE RES. 8.4	
5	391.13500	TIRE 3.50-6	CUBIERTA 3.50-6	
6	391.14007	TIRE 4.10/3.50-6	CUBIERTA NEUM. 4.10/3.50-6	
7	394.14007	TUBE 4.10/3.50-6	CAMARA DE AIRE 4.10/3.50-6	
8	561.50464	INSIDE SEMICIRCLE	SEMICIRCULO INTERIOR	
9	561.50472	OUTSIDE SEMICIRCLE	SEMICIRCULO EXTERIOR	
10	580.50512	SAFETY PIN	ESPINA DE SEGURIDAD	
11	590.50418	PROTECTION	PROTECCION	
12	922.51002	PAIR OF WHEEL EXTENSIONS	JUEGO PROLONGACIONES RUEDAS	