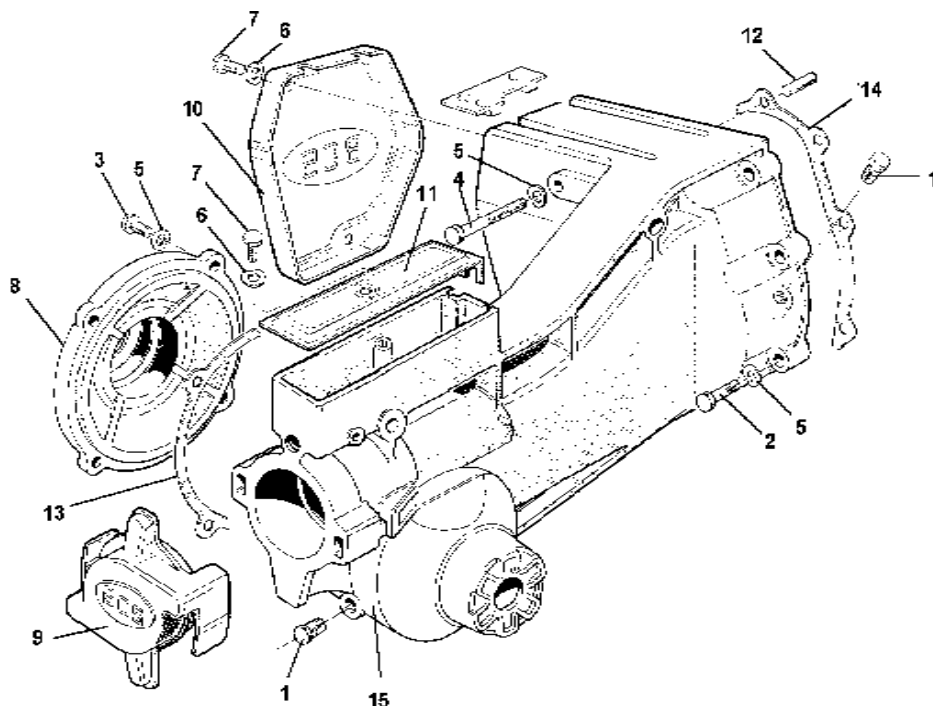
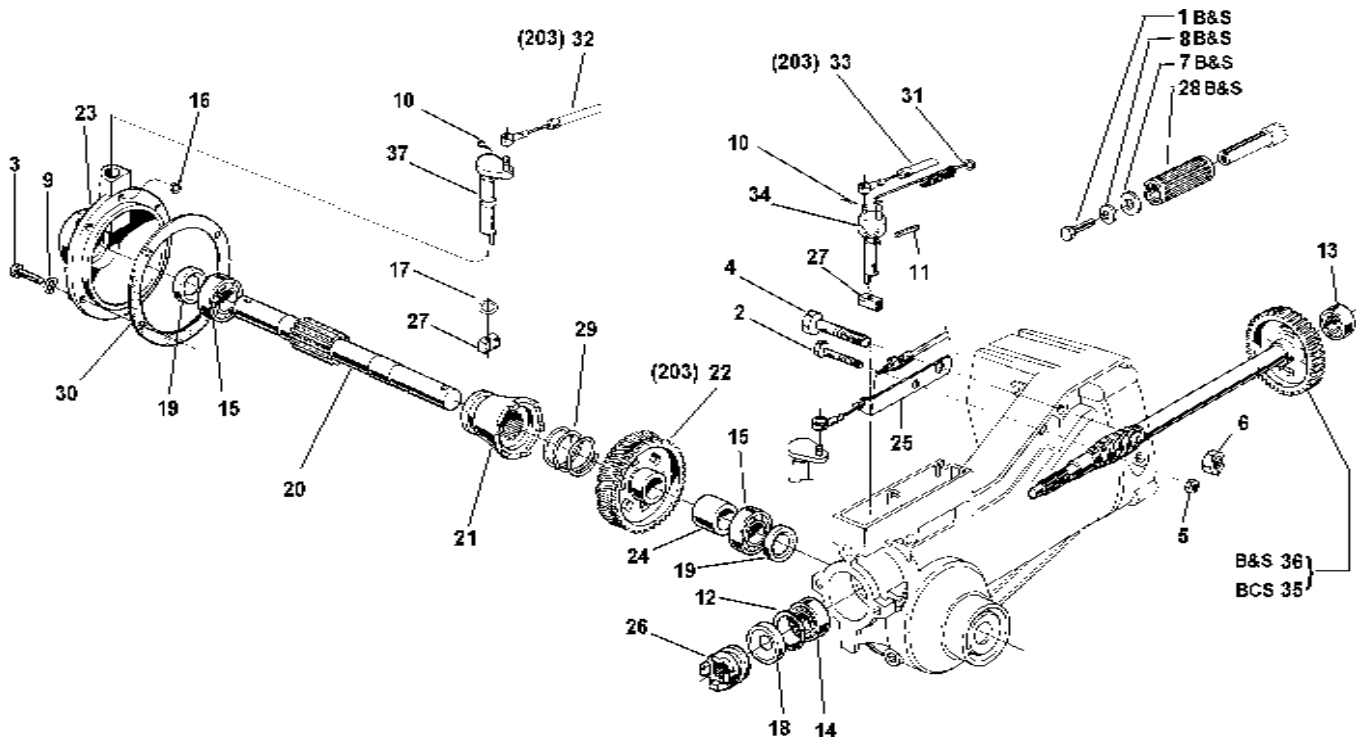




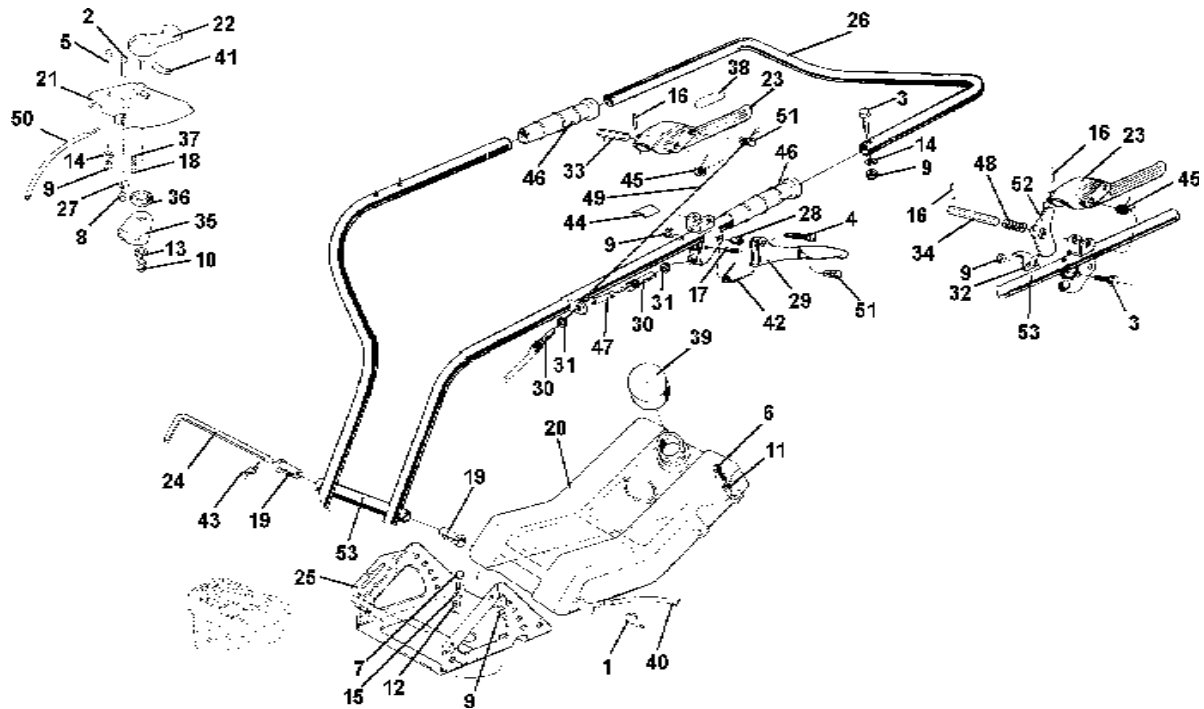
A M E R I C A



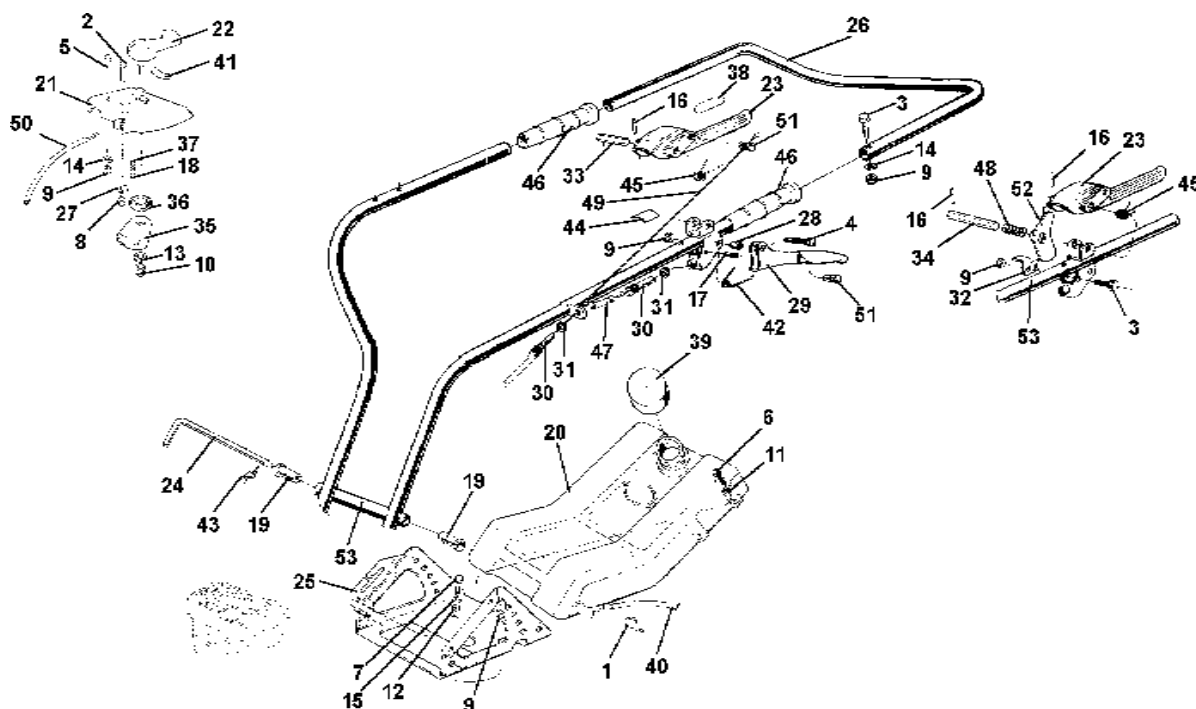
ID	PART NO	DESCRIPTION	DENOMINACION	NOTES
2	300.40001	PLUG /14 GAS	TAPON 1/4 GAS	
	311.12086	SCREW	TORNILLO	
3	311.12093	SCREW M6 X 20	TORNILLO M6 X 20	
4	311.12096	SCREW M6 X 85	TORNILLO M6 X 85	
5	314.22064	WASHER, LOCK 6.4	ARANDELA DE RES. 6.4	
6	314.23053	WASHER, LOCK 5.3	ARANDELA DE RES.5.3	
7	315.10052	SCREW M5 X 10	TORNILLO M5 X 10	
8	531.51604	GEARBOX COVER	TAPA CAJA DE CAMBIO	
9	552.50266	IMPL. COUPLING PROTECTION	PROTECCION	
10	561.50263	SIDE COVER	TAPA LATERAL	
11	561.50265	UPPER COVER	TAPA SUPERIOR	
12	580.43053	PARALLEL PIN D 6 X 20	ESPINA CIL. D 6 X 20	
13	580.50203	COVER GASKET	GUARNICION TAPA	
14	580.50251	GEARBOX GASKET	GUARNICION CAJA CAMBIO	
15	590.51613	GEARBOX	CAJA DE CAMBIO	



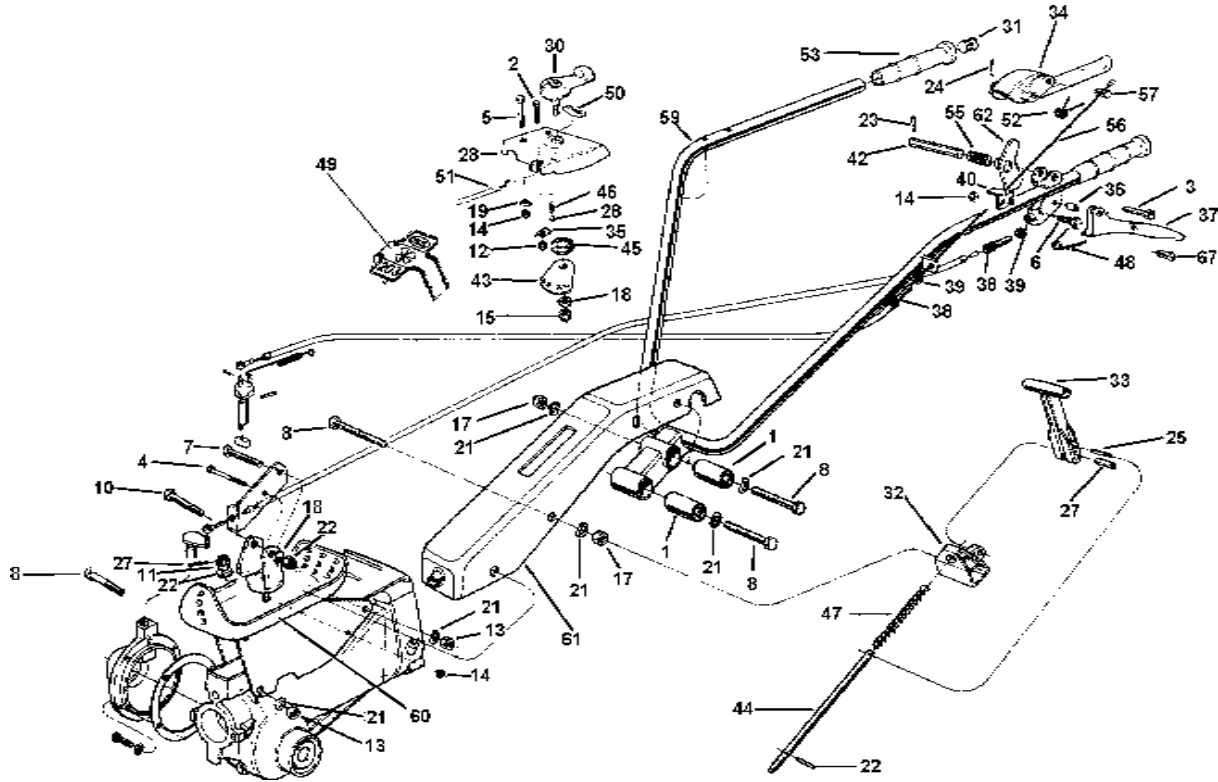
ID	PARTNO	DESCRIPTION	DENOMINACION	NOTES
1	311.00003	BOLT, B & S ENGINES	TORNILLO, BRIGGS & STRATTON	
2	311.12091	BOLT, M6 X 40	TORNILLO M6 X 40	
3	311.12093	LOCK WASHER, 6.4	ARANDELA DE RES. 6.4	
4	311.12225	BOLT, M10 X 55	TORNILLO M10 X 55	
5	312.41060	NUT, SELF LOCKING M6	TUERCA AUTOBLOC. M6	
6	312.41100	NUT, SELF LOCKING M10	TUERCA AUTOBLOC. M10	
7	314.11092	FLAT WASHER, B & S ENGINES	ARANDELA, BRIGGS & STRATTON	
8	314.21083	SPRING WASHER, B & S ENGINES	ARANDELA RESORTE, B & S	
9	314.22064	BOLT, M6 X 20	TORNILLO M6 X 20	
10	341.10020	COTTER PIN 2 X 12	PASADOR 2 X 12	
11	342.13055	ROLL PIN, 5 X 30 SPIRAL	ESPINA DE RES. 5 X 30 ESPIRAL	
12	351.11047	SNAP RING, INTERNAL	SEEGER INT.	
13	371.11120	BEARING, 12 X 37 X 12 6301	COJINETE 12 X 37 X 12 6301	
14	371.11201	BEARING, 20 X 47 X 14 6204	BARRA 20 X 47 X 14 6204	
15	371.11255	BEARING, 25 X 52 X 15 6205	COJINETE 25 X 52 X 15 6205	
16	379.10832	BALL 1/4 RIV RB 6.35	BOLA 1/4 RIV RB 6.35	
17	381.11237	O-RING 12.37 X 2.62	OR 3050 12.37 X 2.62	
18	382.11503	OIL SEAL 15 X 50 X 7	CHAPA RET. ACEITE 15 X 50 X 7	
19	382.12500	OIL SEAL, 25 X 40 X 7	CHAPA RET. ACEITE 25 X 40 X 7	
20	524.51607	WHEEL SHAFT	ARBOL RUEDAS	
21	524.51610	WHEEL COUPLING	ACOPLAMIENTO RUEDAS	
22	525.50287	GEAR, WHEEL SHAFT Z44 (203)	CORONA IZQUIERDA Z44 (203)	
23	531.51604	GEAR BOX COVER	TAPA CAJA DE CAMBIO	
24	561.43059	SPACER	SEPARADOR	
25	561.51674	CABLE STOP BRACKET (203)	PARADA VAINA (203)	
26	564.50212	PTO COUPLING	ACOPLAMIENTO APEROS	
27	564.50279	SHOE	PATIN	
28	565.50289	GEAR, CRANKSHAFT, B & S ENGINES	CORONA, BRIGGS & STRATTON	
29	580.19685	COUPLING SPRING	MUELLE ACOPLAMIENTO	
30	580.50203	GASKET, GEAR BOX COVER	GUARNICION TAPA	
31	580.50264	SPRING, PTO DISENGAGEMENT	RESORTE ACOPL.	
32	580.51667	DRIVE ENGAGEMENT CABLE (203)	CABLE MANDO RUEDAS (203)	
33	580.51716	PTO ENGAGEMENT CABLE (203)	CABLE, PTO (203)	
34	590.50276	PIN, PTO COUPLING	PERNO PARA ATAQUE APEROS	
35	590.50288	PTO SHAFT, FOR BCS & ACME (203)	TORNILLO SIN FIN, BCS & ACME	



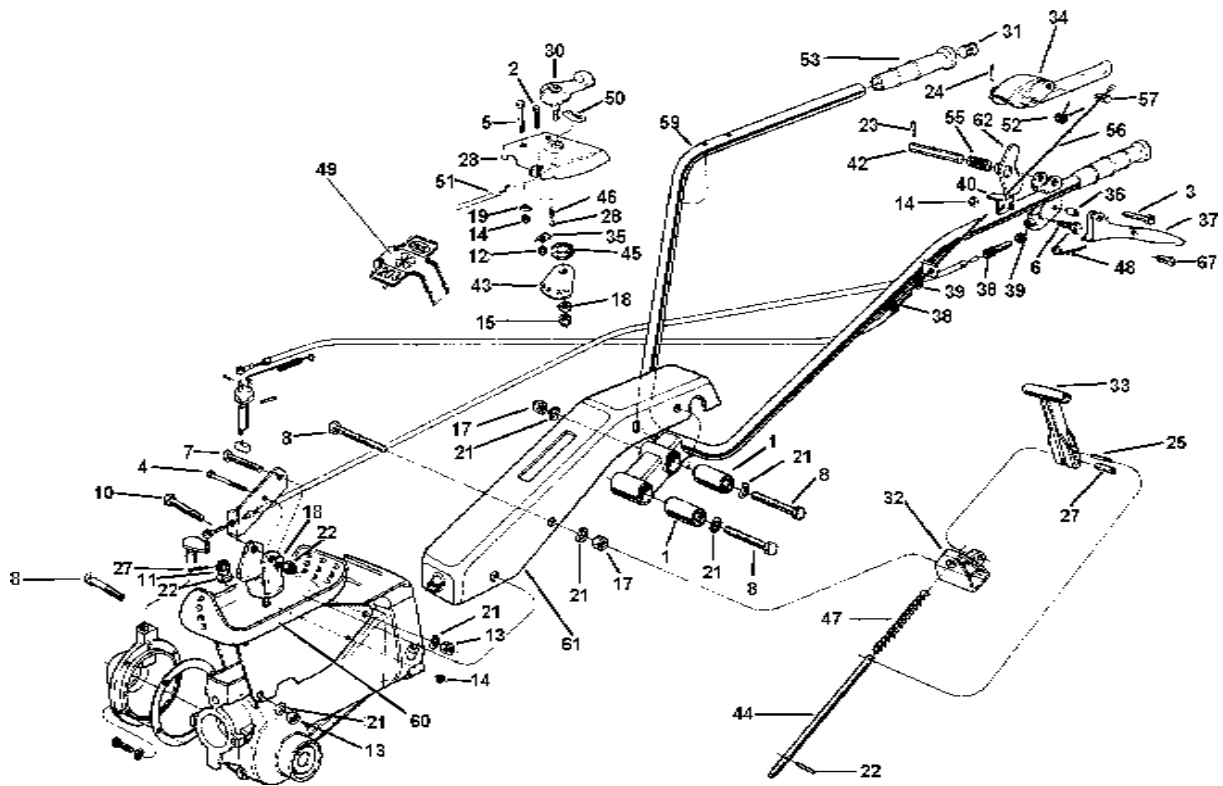
ID	PARTNO	DESCRIPTION	DENOMINACION	NOTES
1	300.21008	CLAMP	BRIDA	
2	311.11089	SCREW M5 X 10	TORNILLO M5 X 10	
3	311.11094	SCREW M6 X 28	TORNILLO M6 X 28	
4	311.12089	SCREW M6 X 25	TORNILLO M6 X 25	
5	311.12092	SCREW M6 X 35	TORNILLO M6 X 35	
6	311.12093	SCREW M6 X 20	TORNILLO M6 X 20	
7	311.12157	SCREW M8 X 50	TORNILLO M8 X 50	
8	312.11050	NUT M5	TUERCA M5	
9	312.41060	NUT, SELF LOCKING M6	TUERCA AUTOBLOC. M6	
10	312.41083	SELF LOCKING NUT M8	TUERCA M8	
11	314.11064	WASHER, FLAT 6.4	ARANDELA PLANA 6.4	
12	314.11084	WASHER, FLAT 8.4	ARANDELA PLANA 8.4	
13	314.11130	WASHER, FLAT 13	ARANDELA PLANA 13	
14	314.22064	WASHER, LOCK 6.4	ARANDELA DE RES. 6.4	
15	314.23084	WASHER, LOCK 8.4	ARANDELA DE RES. 8.4	
16	342.11040	PIN, LOCKING 4 X 20	ESPINA DE RES. 4 X 20	
17	342.11060	PIN, LOCKING 6 X 20 DIN 1481	ESPINA DE RES. 6 X 20 DIN 1481	
18	379.10832	BALL 1/4 RIV RB 6.35	BOLA 1/4 RIV RB 6.35	
19	551.42109	BUSH	CASQUILLO	
20	552.50299	203 GASOLINE TANK	TANQUE GASOLINA 203	
21	552.50305	THROTTLE	MANDO GAS	
22	552.50310	THROTTLE LEVER	PALANCA MANDO GAS	
23	552.51699	P.T.O. LEVER	PALANCA TOMA DE FUERZA	
24	561.50321	PIN	PERNO	
25	561.50322	HANDLEBAR SUPPORT	SOPORTE MANUBRIO	
26	561.50323	HANDLEBAR PROTECTION TUBE	TUBO PROTECCION MANUBRIO	
27	561.50358	PLATE	PLETINA	
28	561.50361	LEVER SPACER	SEPARADOR PALANCAS	
29	561.50363	FORWARD SPEEDS LEVER	PALANCA MARCHAS ADELANTE	
30	561.50365	ADJUSTING SCREW M10 X 1	TORNILLO REGULACION M10 X 1	
31	561.50367	RING NUT	CASQUILLO	
32	561.51512	LOCKING PLATE	PLETINA	
33	561.51718	SHORT HEXAGONAL PIN	PERNO HEXAGONAL	
34	561.51719	HEXAGONAL PIN	PERNO HEXAGONAL	
35	563.50306	THROTTLE LEVER	PALANCA MANDO GAS	



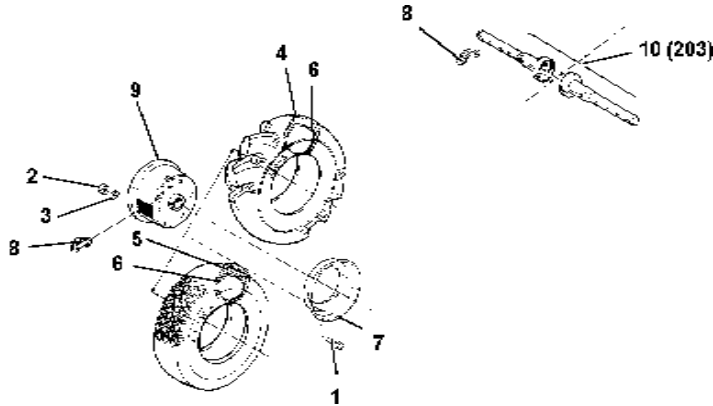
ID	PARTNO	DESCRIPTION	DENOMINACION	NOTES
36	571.50312	SPRING	MUELLE	
37	580.42059	SPRING	MUELLE	
38	580.47954	P.T.O. STICKER	AUTOADHESIVO TOMA DE FUERZA	
39	580.50198	GASOLINE TANK CAP	TAPON TANQUE GASOLINA	
40	580.50326	GASOLINE PIPE	TUBO GASOLINA	
41	580.50327	THROTTLE TRANSFER	AUTOADHESIVO MANDO GAS	
42	580.50345	LEVER SPRING	PALANCA	
43	580.50533	PIN	PASADOR	
44	580.51651	TRANSFER	AUTOADHESIVO	
45	580.51662	P.T.O. LEVER SPRING	MUELLE PALANCA TOMA DE FUERZA	
46	580.51665	KNOB	MANILLA	
47	580.51667	COMPLETE WIRE	FILO COMPLETO	
48	580.51697	SPRING	MUELLE	
49	580.51716	P.T.O. WIRE	FILO TOMA DE FUERZA	
50	580.51717	GAS WIRE AND SHEATH	CABLE Y VAINA GAS	
51	581.50313	BARREL	PASADOR	
52	590.51694	P.T.O. LEVER STOP	CONTRASTE PALANCA T.D.F.	
53	590.51711	HANDLEBAR	MANILLAR	



ID	PARTNO	DESCRIPTION	DENOMINACION	NOTES
1	300.10103	HANDLEBAR SPACERS	SILENTBLOC	
2	311.11089	SCREW, M5 X 10	TORNILLO M5 X 10	
3	311.12089	HEX HEAD BOLT, M6 X 25	TORNILLO M6 X 25	
4	311.12091	HEX HEAD BOLT, M6 X 40	TORNILLO M6 X 40	
5	311.12092	SCREW, M6 X 35	TORNILLO M6 X 35	
6	311.12094	HEX HEAD BOLT, M6 X 65 8G	TORNILLO M6 X 65 8G	
7	311.12215	HEX HEAD BOLT, M10 X 60	TORNILLO M10 X 60	
8	311.12217	HEX HEAD BOLT, M10 X 80 UNI 5739 8G	TORNILLO TE M10 X 80 UNI 5739 8G	
9	311.12225	HEX HEAD BOLT	TORNILLO	
10	311.12294	HEX HEAD BOLT, M12 X 85	TORNILLO M12 X 85	
11	312.01212	HEX NUT, SELF LOCKING M12	TUERCA HEX. INT. M12	
12	312.11050	HEX NUT, M5	TUERCA M5	
13	312.11100	HEX HEAD NUT, M10	TUERCA M10	
14	312.41060	HEX NUT, SELF LOCKING M6	TUERCA AUTOBLOC. M6	
15	312.41083	HEX NUT, SELF LOCKING M8	TUERCA M8	
16	312.41100	HEX NUT, SELF LOCKING M10	TUERCA HEX. INT. M10	
17	312.41120	HEX NUT, SELF LOCKING M12	TUERCA AUTOBLOC. M12	
18	314.11130	SPRING WASHER	ARANDELA 13	
19	314.22064	WAVE WASHER	ARANDELA DE RES.	
20	314.23105	WAVE WASHER, 10.5	ARANDELA DE RES. 10.5	
21	314.23130	WAVE WASHER, 13	ARANDELA DE RES. 13	
22	342.11028	PIN, LOCKING	ESPINA DE RESISTENCIA	
23	342.11029	SPRING PIN	ESPINA DE RESISTENCIA	
24	342.11040	PIN, LOCKING 4 X 20	ESPINA DE RESISTENCIA 4 X 20	
25	342.11041	PIN, LOCKING 4 X 35	ESPINA DE RESISTENCIA 4 X 35	
26	342.13022	PIN, LOCKING 3 X 22	ESPINA DE RESISTENCIA 3 X 22	
27	342.21070	PIN	ESPINA CILINDRICA	
28	379.10832	BALL, THROTTLE CONTROL	BOLA	
29	552.50305	THROTTLE CONTROL COVER	MANDO GAS	
30	552.50310	THROTTLE LEVER	PALANCA MANDO GAS	
31	552.51634	PLUG	TAPON	
32	552.51686	SUPPORT, ROD	SOPORTE PALANCA	
33	552.51688	ADJUSTING LEVER	PALANCA DE REGULACION	
34	552.51699	PTO LEVER	PALANCA TOMA DE FUERZA	
35	561.50358	PLATE	PLETINA	



ID	PARTNO	DESCRIPTION	DENOMINACION	NOTES
36	561.50361	SPACER, LEVER	SEPARADOR PALANCAS	
37	561.50363	DRIVE WHEEL LEVER	PALANCA MARCHAS ADELANTE	
38	561.50365	ADJUSTING SCREW	TORNILLO REGULACION	
39	561.50367	ADJUSTING NUT	CASQUILLO	
40	561.51512	LOCKING PLATE	PLETINA	
41	561.51674	CABLE STOP BRACKET	PARADA VAINA	
42	561.51719	PIN, HEXAGONAL	PERNO HEXAGONAL	
43	563.50306	THROTTLE QUADRANT	PALANCA MANDO GAS	
44	563.51685	ROD, HANDLEBAR POSITION	VARILLA MANILLAR	
45	571.50312	SPRING WASHER	MUELLE	
46	580.42059	SPRING, THROTTLE CONTROL	MUELLE	
47	580.42219	SPRING, ROD	MUELLE	
48	580.50345	SPRING, CLUTCH LEVER	PALANCA	
49	580.51600	DECAL (203)	AUTOADHESIVO (203)	
50	580.51601	DECAL, THROTTLE CONTROL (B&S)	AUTOADHESIVO MANDO GAS (B&S)	
51	580.51602	CABLE, THROTTLE CONTROL (B&S)	CABLE, Y VAINA GAS (B&S)	
52	580.51662	PTO LEVER SPRING	MUELLE PALANCA TOMA DE FUERZA	
53	580.51665	COVER, HANDLEBAR	MANILLA	
54	580.51667	CABLE, WHEEL ENGAGEMENT	FILO RUEDAS	
55	580.51697	SPRING, PIN	MUELLE	
56	580.51716	CABLE, PTO	FILO TOMA DE FUERZA	
57	581.50313	BARREL, PTO CABLE	PASADOR	
58	590.50383	HANDLEBAR SUPPORT	SOPORTE MANILLAR	
59	590.51615	HANDLEBAR	MANILLAR	
60	590.51680	HANDLEBAR ANCHOR	ATAQUE MANILLAR	
61	590.51682	STEERING COLUMN	COLUMNA MANILLAR	
62	590.51694	PTO LEVER STOP	CONTRASTE PALANCA T.D.F.	



ID	PART NO	DESCRIPTION	DENOMINACION	NOTES
1	311.12149	SCREW M8 X 12	TORNILLO M8 X 12	
2	312.11080	NUT M8	TUERCA M8	
3	314.23084	WASHER, LOCK 8.4	ARANDELA DE RES. 8.4	
4	391.13500	TIRE 3.50-6	CUBIERTA 3.50-6	
5	391.14007	TIRE 4.10/3.50-6	CUBIERTA NEUM. 4.10-3.50-6	
6	394.14007	TUBE 4.10-3.50-6	CAMARA DE AIRE 4.10/3.50-6	
7	561.50467	OUTSIDE SEMICIRCLE WHEEL 6	SEMICIRCULO EXT. RUEDA 6	
8	580.50512	SAFETY PIN	ESPINA DE SEGURIDAD	
9	590.51700	OUTSIDE SEMICIRCLE	SEMICIRCULO EXTERIOR	
10	922.50880	WHEEL EXTENSION, PAIR-203	PROLONGACION RUEDA (PR)-203	