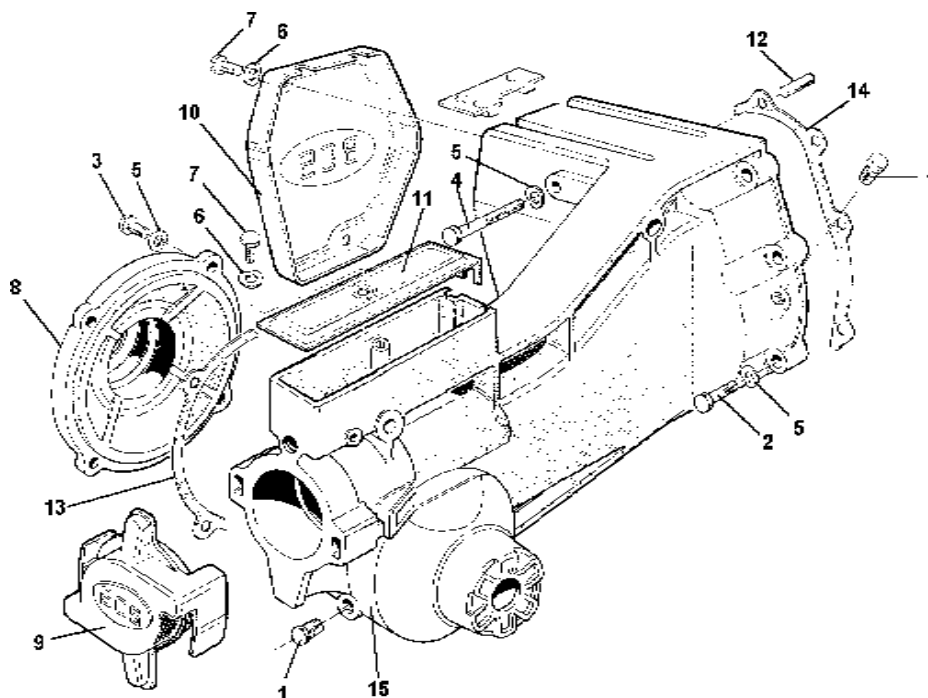
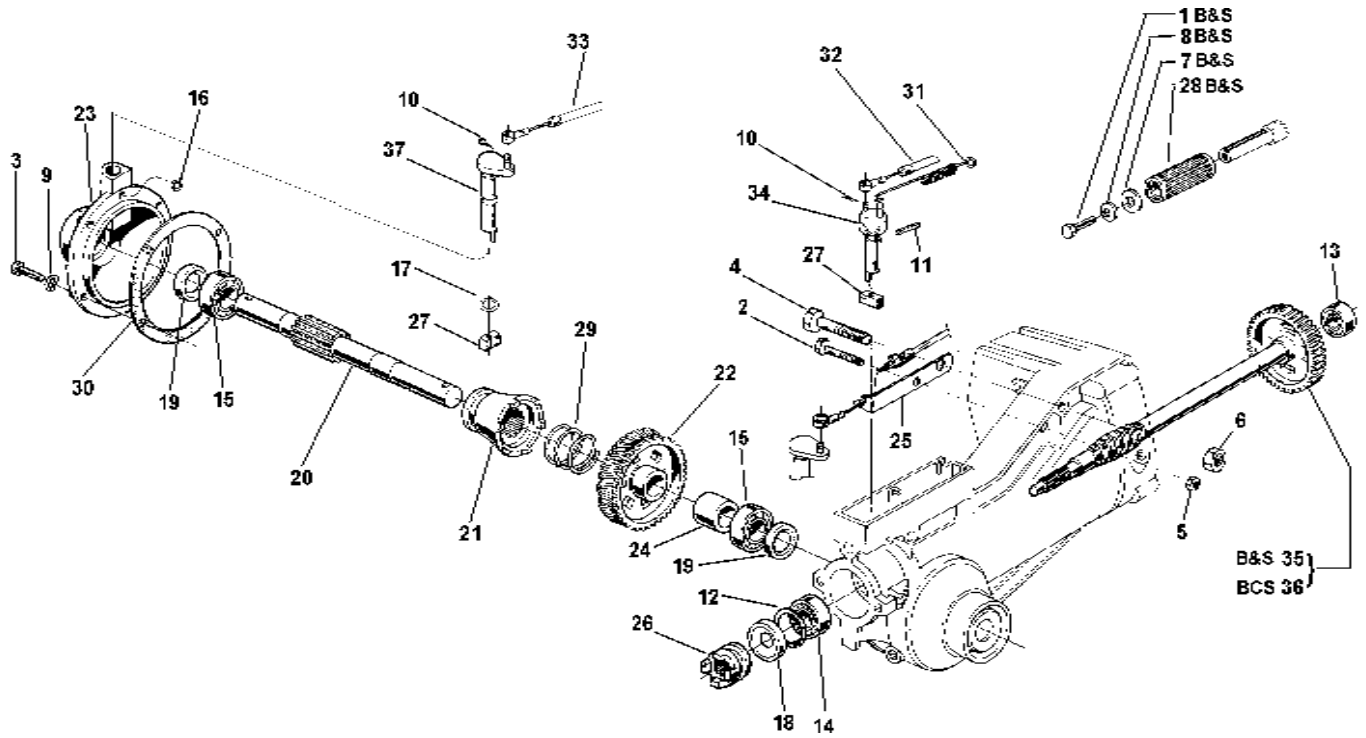




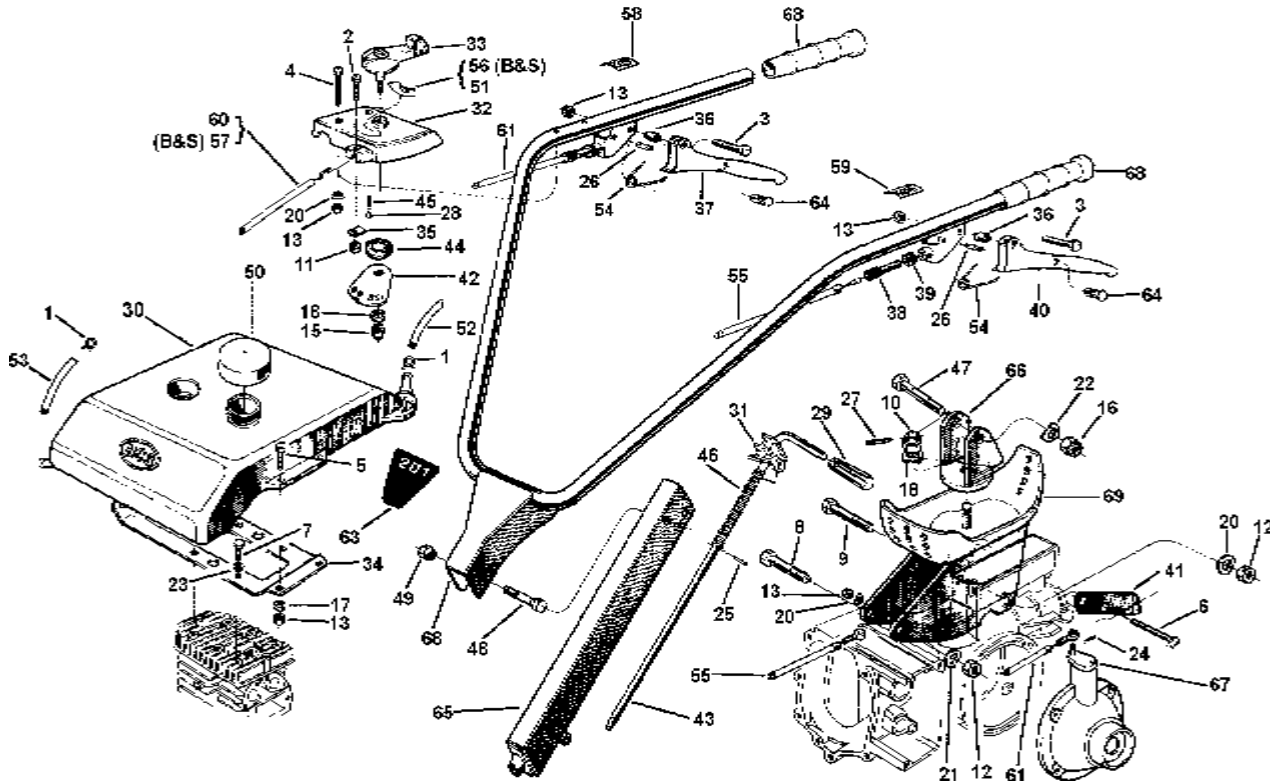
A M E R I C A



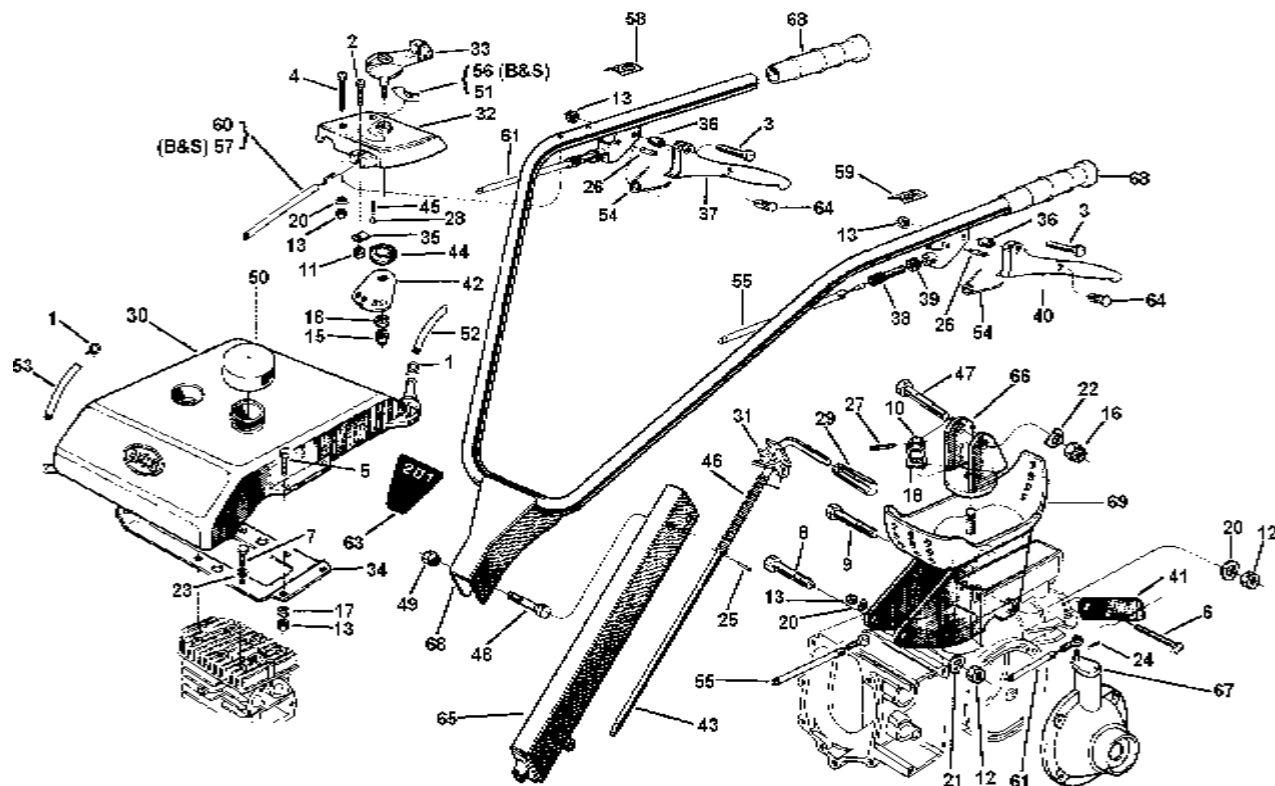
ID	PART NO	DESCRIPTION	DENOMINACION	NOTES
1	300.40001	PLUG 1/4 GAS	TAPON 1/4 GAS	
2	311.12086	SCREW	TORNILLO	
3	311.12093	SCREW M6 X 20	TORNILLO M6 X 20	
4	311.12096	SCREW M6 X 85	TORNILLO M6 X 85	
5	314.22064	WASHER, LOCK 6.4	ARANDELA DE RES. 6.4	
6	314.23053	WASHER, LOCK 5.3	ARANDELA DE RES. 5.3	
7	315.10052	SCREW M5 X 10	TORNILLO M5 X 10	
8	531.51604	GEARBOX COVER	TAPA CAJA DE CAMBIO	
9	552.50266	IMPL. COUPLING PROTECTION	PROTECCION	
10	561.50263	SIDE COVER	TAPA LATERAL	
11	561.50265	UPPER COVER	TAPA SUPERIOR	
12	580.43053	PARALLEL PIN D 6 X 20	ESPINA CIL. D 6 X 20	
13	580.50203	COVER GASKET	GUARNICION TAPA	
14	580.50251	GEARBOX GASKET	GUARNICION CAJA CAMBIO	
15	590.51613	GEARBOX	CAJA DE CAMBIO	



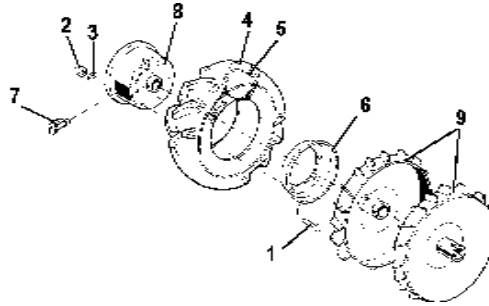
ID	PART NO	DESCRIPTION	DENOMINACION	NOTES
36	590.51605	PTO SHAFT, FOR BCS AND ACME (201)	TORNILLO SIN FIN, BCS & ACME (201)	
37	590.51611	WHEEL ENGAGEMENT PIN	PERNO RUEDAS	



ID	PARTNO	DESCRIPTION	DENOMINACION	NOTES
1	300.21008	CLAMP, FUEL HOSE	BRIDA	
2	311.11089	SCREW, M5 X 10	TORNILLO M5 X 10	
3	311.12089	HEX HEAD BOLT, M6 X 25	TORNILLO M6 X 25	
4	311.12092	SCREW, M6 X 35	TORNILLO M6 X 35	
5	311.12093	HEX HEAD BOLT, M6 X 20	TORNILLO M6 X 20	
6	311.12095	HEX HEAD BOLT	TORNILLO	
7	311.12157	HEX HEAD BOLT, M8 X 50	TORNILLO M8 X 20	
8	311.12215	HEX HEAD BOLT, M10 X 60	TORNILLO M10 X 60	
9	311.12225	HEX HEAD BOLT	TORNILLO	
10	312.01212	HEX NUT, SELF LOCKING M12	TUERCA HEX. INT. M12	
11	312.11050	HEX NUT, M5	TUERCA M5	
12	312.11100	HEX HEAD NUT, M10	TUERCA M10	
13	312.41060	HEX NUT, SELF LOCKING M6	TUERCA AUTOBLOC. M6	
14	312.41062	HEX NUT, SELF LOCKING M6	TUERCA AUTOBLOC. M6	
15	312.41083	HEX NUT, SELF LOCKING M8	TUERCA M8	
16	312.41120	HEX NUT, SELF LOCKING M12	TUERCA AUTOBLOC. M12	
17	314.11064	FLAT WASHER, 6.4	ARANDELA PLANA 6.4	
18	314.11130	FLAT WASHER, 13	ARANDELA PLANA 13	
19	314.11132	SPRING WASHER	ARANDELA 13	
20	314.22064	WAVE WASHER	ARANDELA DE RES.	
21	314.23105	WAVE WASHER, 10.5	ARANDELA DE RES. 10.5	
22	314.23130	WAVE WASHER 13	ARANDELA DE RES. 13	
23	314.24082	LOCK WASHER, 8.4	ARANDELA DE RES. 8 X 4	
24	341.10020	COTTER PIN, 2 X 12	PASADOR 2 X 12	
25	342.11028	PIN, LOCKING	ESPINA DE RESISTENCIA	
26	342.11060	PIN, LOCKING 6 X 20	ESP. DE RES. 6 X 20	
27	342.13022	PIN, LOCKING SW 3 X 22 SPIRAL	ESP. DE RES. SW 3 X 22 ESPIRAL	
28	379.10832	BALL, THROTTLE CONTROL	BOLA	
29	551.42076	KNOB, ROD	POMO	
30	552.50196	GAS TANK (BCS ENGINE)	TANQUE GASOLINA (BCS)	
31	552.50294	ROD GUIDE	GUIA EJE	
32	552.50305	THROTTLE CONTROL COVER	MANDO GAS	
33	552.50310	THROTTLE LEVER	PALANCA MANDO GAS	
34	561.50185	GAS TANK BRACKET (BCS ENGINE)	SOPORTE TANQUE (BCS)	
35	561.50358	PLATE	PLETINA	



ID	PARTNO	DESCRIPTION	DENOMINACION	NOTES
36	561.50361	SPACER, LEVER	SEPARADOR PALANCAS	
37	561.50363	DRIVE WHEEL LEVER	PALANCA MARCHAS ADELANTE	
38	561.50365	ADJUSTING SCREW	TORNILLO REGULACION	
39	561.50367	ADJUSTING NUT	CASQUILLO	
40	561.50374	PTO LEVER	PALANCA	
41	561.51674	CABLE STOP BRACKET	PARADA VAINA	
42	563.50306	THROTTLE QUADRANT	PALANCA MANDO GAS	
43	563.50349	ROD, HANDLEBAR ADJUSTMENT	EJE MANILLAR PARA	
44	571.50312	SPRING WASHER	MUELLE	
45	580.42059	SPRING, THROTTLE CONTROL	MUELLE	
46	580.42219	SPRING, ROD	MUELLE	
47	580.43228	HEX HEAD BOLT, M12 X 70	TORNILLO M12 X 70	
48	580.43247	BOLT, STEERING COLUMN M8 X 40	TORNILLO COLUMNA M8 X 40	
49	580.43248	BEVEL NUT, M8	TUERCA CONICA M8	
50	580.50198	FUEL CAP	TAPON TANQUE GASOLINA	
51	580.50327	DECAL, THROTTLE CONTROL	AUTOADESIVO MANDO GAS	
52	580.50329	FUEL LINE, LONG	TUBO GASOLINA	
53	580.50330	FUEL LINE, SHORT	TUBO GASOLINA	
54	580.50345	SPRING, CLUTCH LEVER	PALANCA	
55	580.50398	CABLE, PTO ENGAGEMENT	CABLE, T.D.F.	
56	580.51601	DECAL, THROTTLE CONTROL	AUTOADESIVO MANDO GAS (B&S)	
57	580.51603	CABLE, THROTTLE CONTROL	CABLE, Y VAINA GAS (B&S)	
58	580.51651	DECAL, DRIVE WHEEL ENGAGEMENT	AITPADESIVO MANDO RUEDAS	
59	580.51652	DECAL, TINE ENGAGEMENT	AUTOADESIVO T.D.F.	
60	580.51653	CABLE, THROTTLE CONTROL	CABLE, Y VAINA GAS (BCS & ACME)	
61	580.51654	CABLE, WHEEL ENGAGEMENT	CABLE MANDO RUEDAS	
62	580.51665	COVER, HANDLEBAR	MANILLA	
63	580.51673	DECAL (201)	AUTOADHESIVO (201)	
64	581.50313	BARREL, PTO CABLE	PASADOR	
65	590.50293	STEERING COLUMN	COLUMNA MANUBRIO	
66	590.50383	HANDLEBAR SUPPORT	SOPORTE MANILLAR	
67	590.51611	WHEEL ENGAGEMENT PIN	PERNO RUEDAS	
68	590.51656	HANDLE BAR	MANILLAR	
69	590.51680	HANDLE BAR ANCHOR	ATAQUE MANILLAR	



ID	PARTNO	DESCRIPTION	DENOMINACION	NOTES
1	311.12149	SCREW M8 X 12	TORNILLO M8 X 12	
2	312.11080	NUT M8	TUERCA M8	
3	314.23084	WASHER, LOCK 8.4	ARANDELA DE RES. 8.4	
4	391.13500	TIRE 3.50-6	CUBIERTA 3.50-6	
5	394.14007	TUBE 4.10/3.50-6	CAMARA DE AIRE 4.10-3.50-6	
6	561.50467	OUTSIDE SEMICIRCLE WHEEL 6	SEMICIRCULO EXT. RUEDA 6	
7	580.50512	SAFETY PIN	ESPINA DE SEGURIDAD	
8	590.51700	OUTSIDE SEMICIRCLE	SEMICIRCULO EXTERIOR	
9	922.51703	PAIR OF STEEL WHEELS 201	JUEGO RUEDA METALICAS 201	